

## Thermostat Control

The thermostat automatically regulates the temperature inside the cooler and freezer compartments.

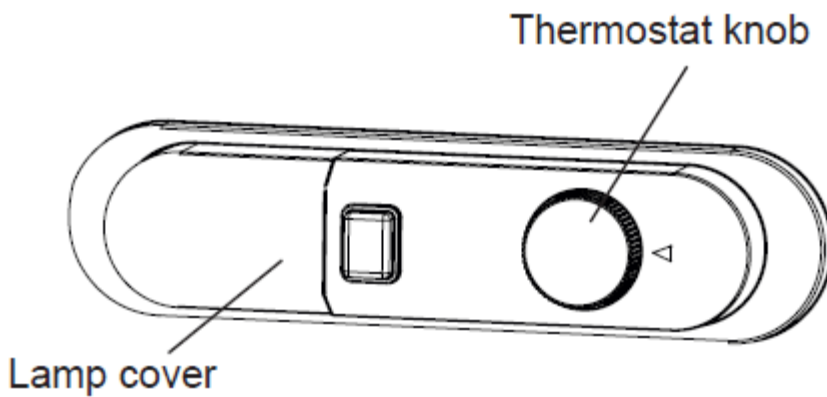
Refrigerator temperatures can be obtained by rotating the knob to higher numbers; 1 to 3, 1 to 5

### Thermostat settings:

**1 – 2** : For short-term storage of food

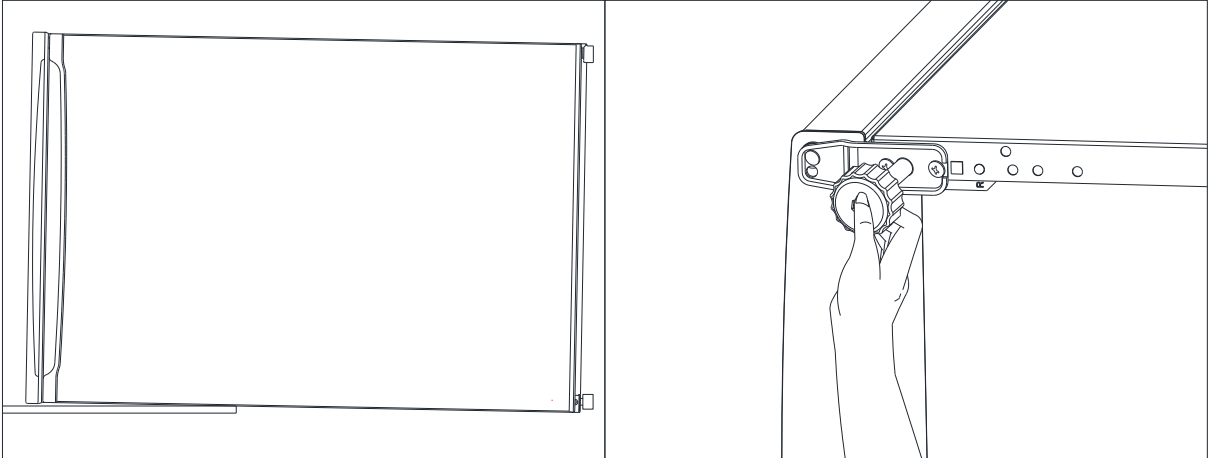
**3 – 4** : For long-term storage of food

**5** : Maximum cooling position. The appliance will work longer. If required, change the temperature setting.

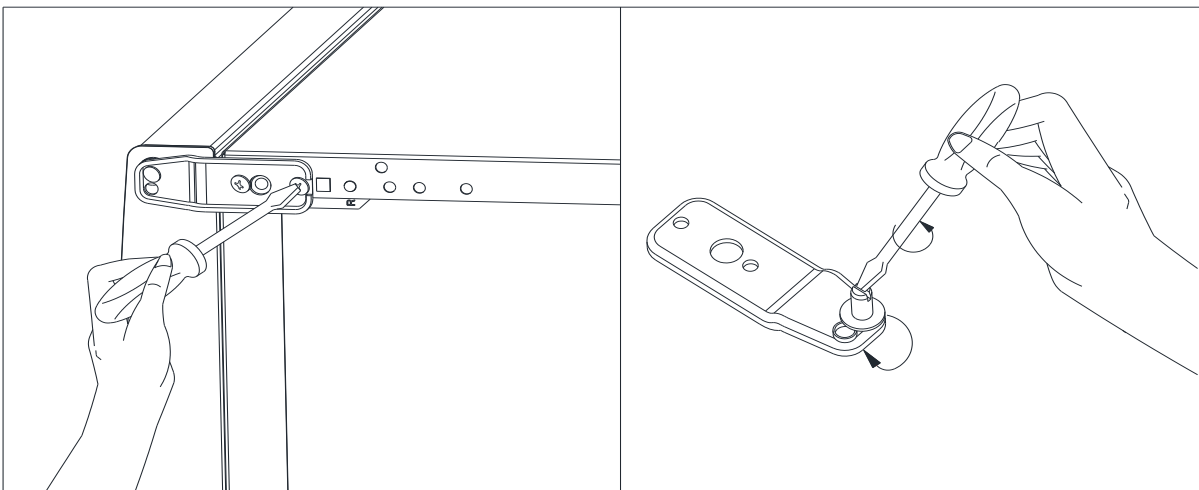


## CHANGING THE DOORWAY DIRECTION

1. Lie down the appliance to the left side and dismantle both leveling foot.

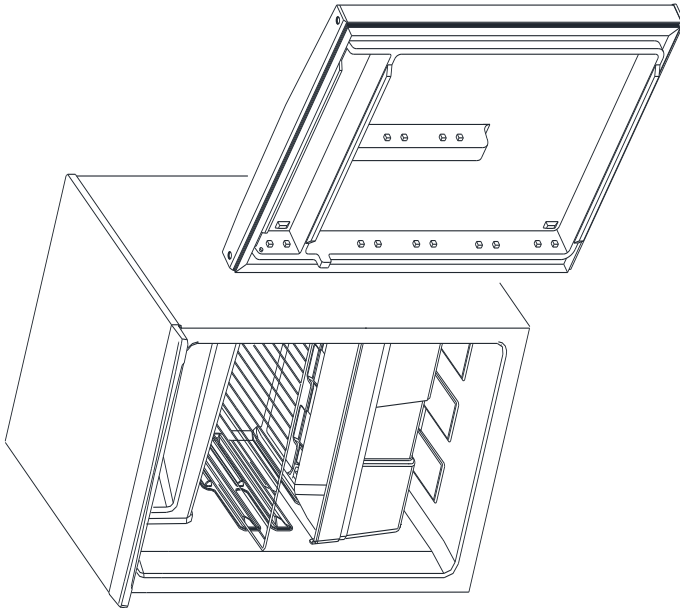


2. Unscrew the bottom hinge fixing screws and remove it. Unscrew the bottom hinge pin and screw in the next hole.

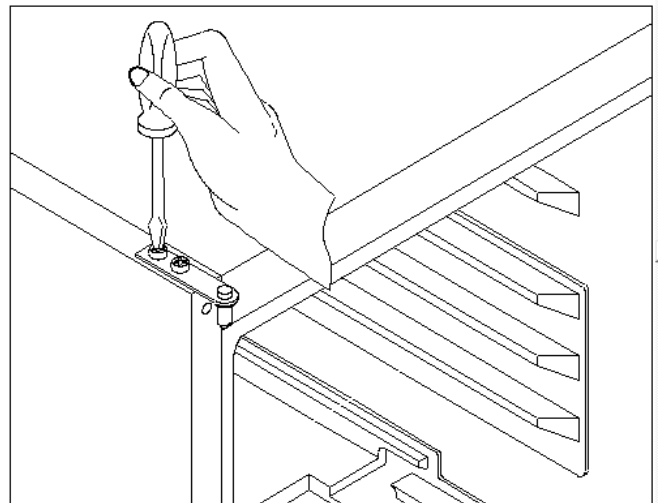
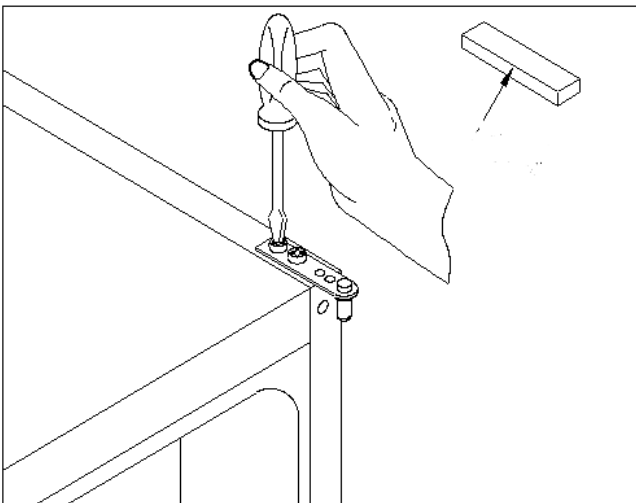


**CHANGING THE DOORWAY DIRECTION**

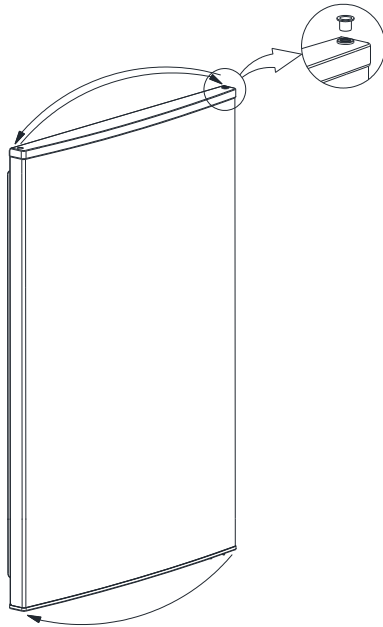
**3. Remove the door.**



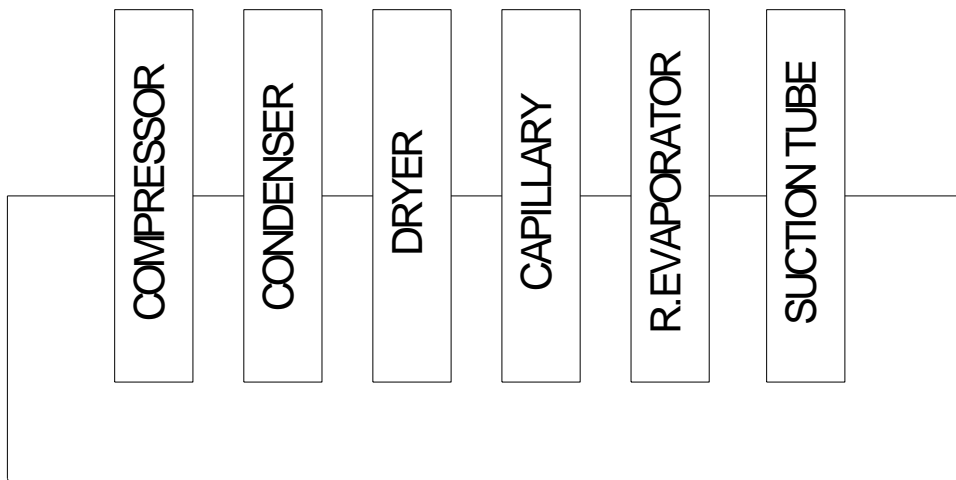
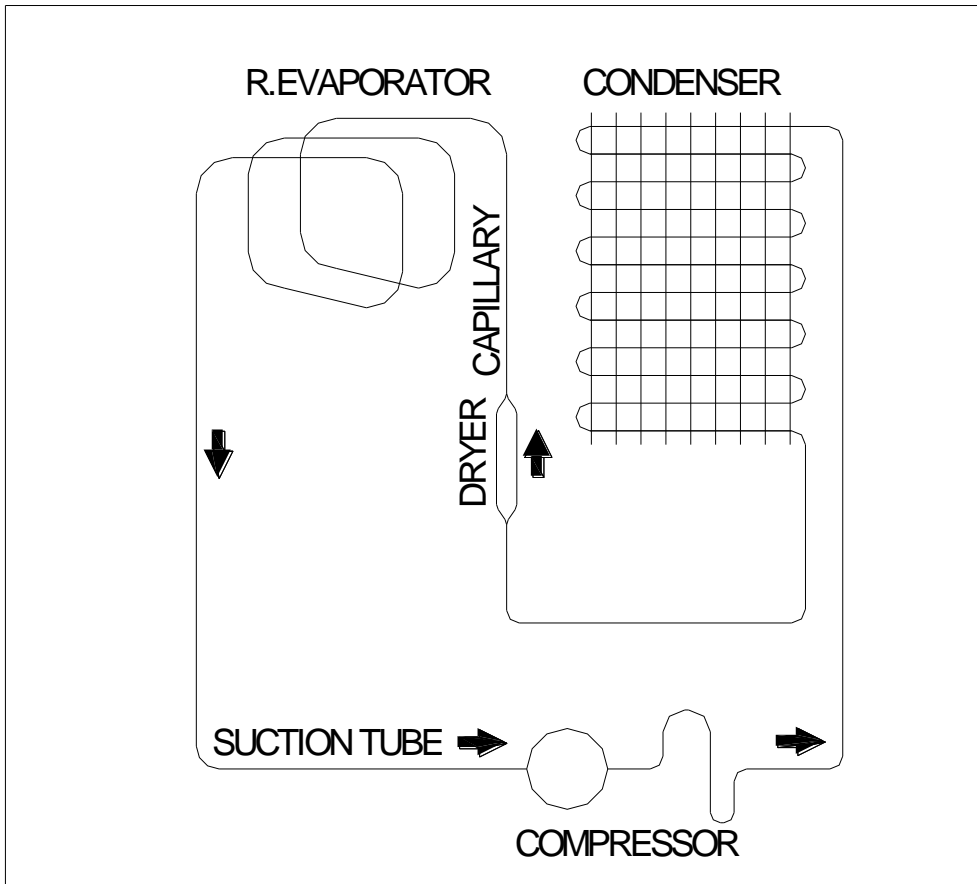
**4. Remove the top hinge cover and unscrew the the top hinge and screw the hinge on the left hole of the top panel. Close the top hinge cover.**



- 5.** Replace the top bushing and top bushing cap.  
Remove the bottom bushing and assemble it to the left side.



- 6.** Assemble the door to the top hinge. (Reverse operation of item 3)  
Screw the bottom hinge to the left side.  
Finally, screw the leveling foot to right side.

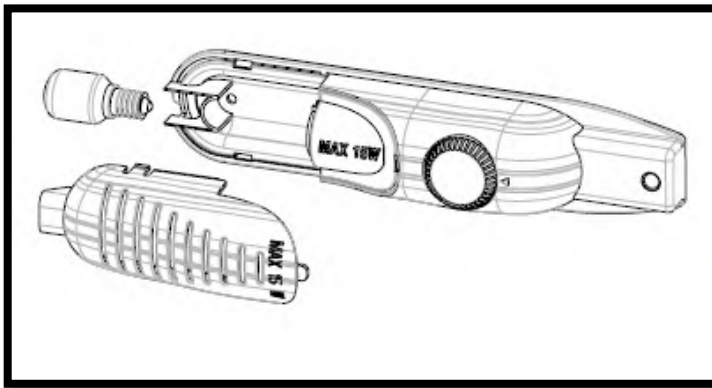


**CAUTION:**

*The plug must be pulled out before the thermostat lamp / led is removed.*

**Replacement of Lamp**

- 1- Unplug your fridge.
- 2- Remove the cover of the box from the claws using a screwdriver.
- 3- Replace with a bulb of maximum 15 Watts.
- 4- Install the cover.
- 5- Wait for 5 minutes before re-plugging and bring the thermostat to its original position.



**Replacement of LED**

Screwdriver into the gap and remove the led cover.

Remove screw led

Disconnect the connector and change the led.

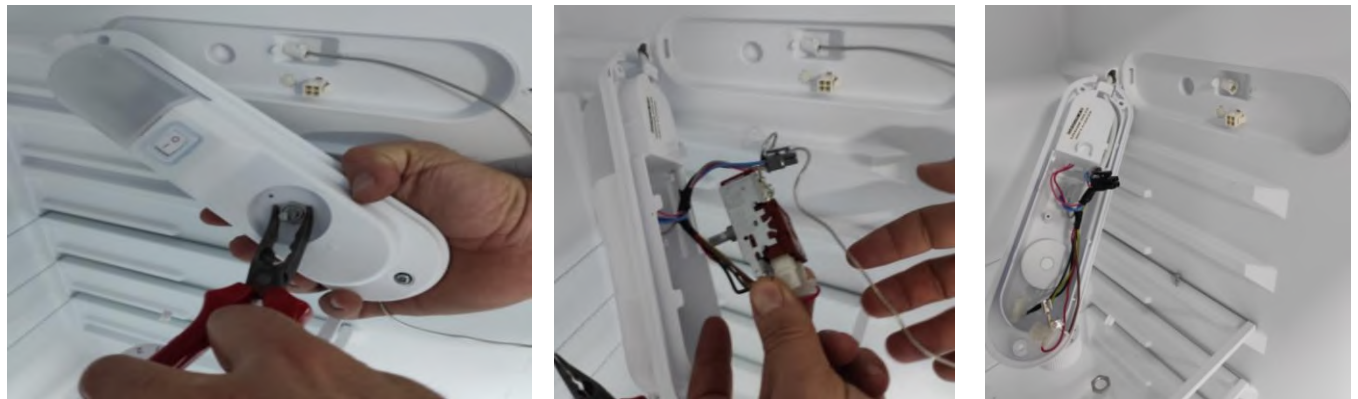


***CAUTION: The plug must be pulled out before the thermostat is removed.***

Remove screw which is attached one side of the thermostat



Firstly take off the button and screw and then take off all cable connection and pull thermostat bulb out



Take off the lamp cover, cable connection and screw at below picture

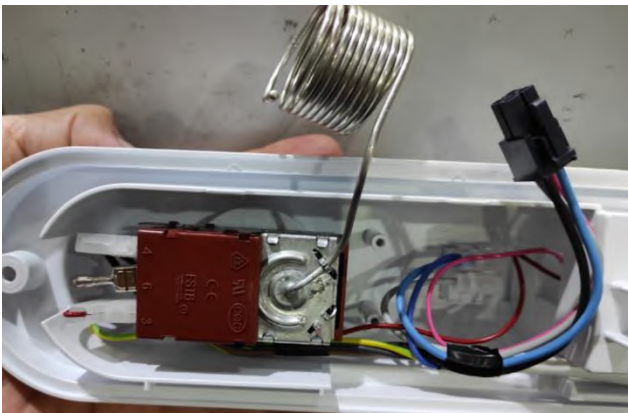


## REPLECAMENT OF THERMOSTAT

Firstly cut off the black band and change the thermostat



Place the thermostat, screws is tightened, insert the button  
Connect cables as shown below



Send the thermostat bulb pipe throughout the hole until it end  
Plug the black socket to the frige  
Close the lamp cover ve screw is tightened which are attached one side of the thermostat.