

A- Changing The Door Swing Direction to Right Hand

1- Lie down the appliance to the left side. (FIG-1)

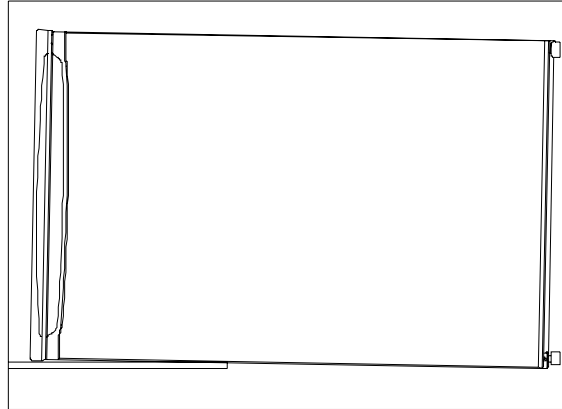


Figure - 1

2- Dismantle both leveling foot. (FIG-2)

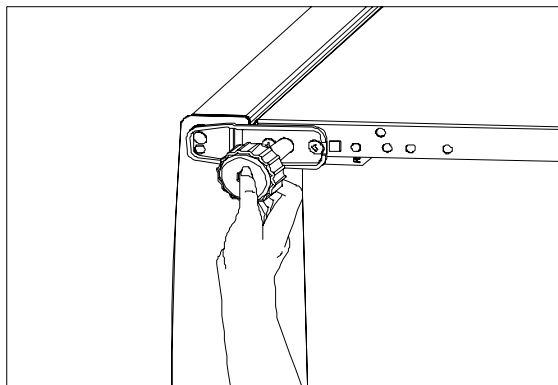


Figure - 2

3- Unscrew the bottom hinge fixing screws and remove it. (FIG-3.1)

Unscrew the bottom hinge pin and screw in the next hole. (FIG-3.2)

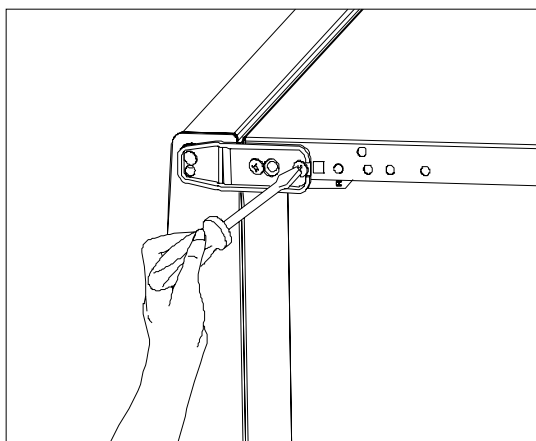


Figure - 3.1

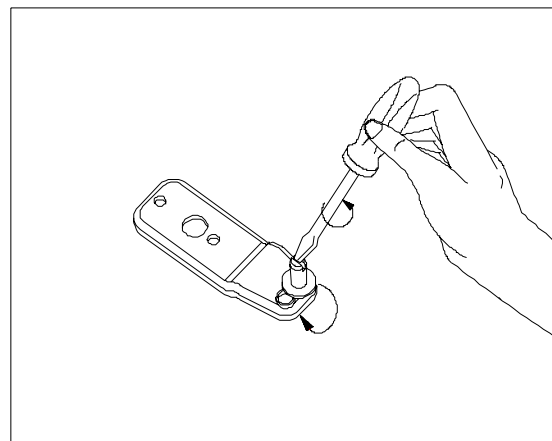


Figure - 3.2

4- Remove the door. (FIG-4)

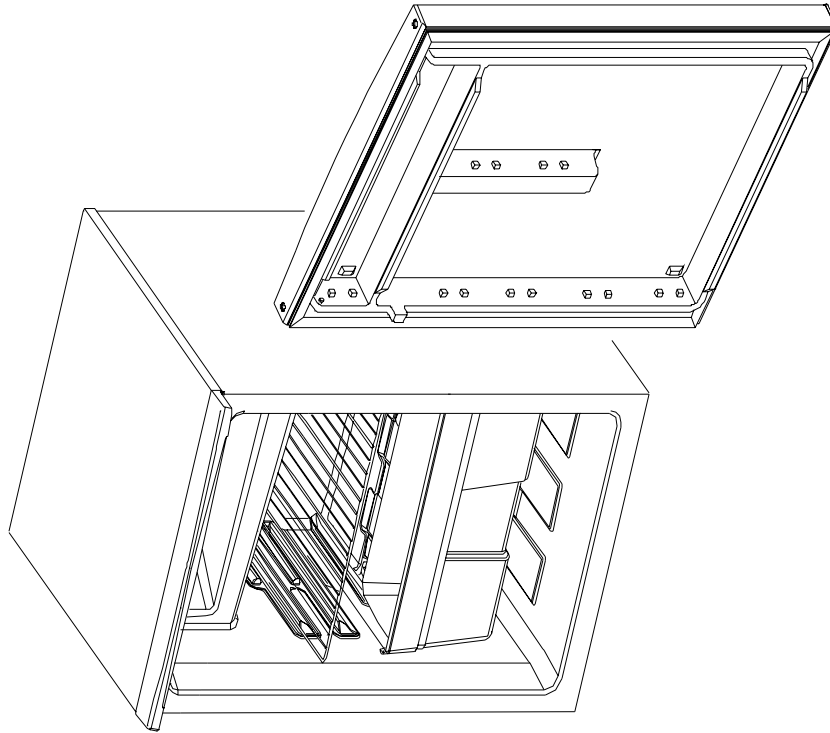


Figure - 4

**5 - Unscrew the right pin of the top hinge (FIG-5.1)
Screw the pin on the left hole of the top hinge (FIG-5.2)**

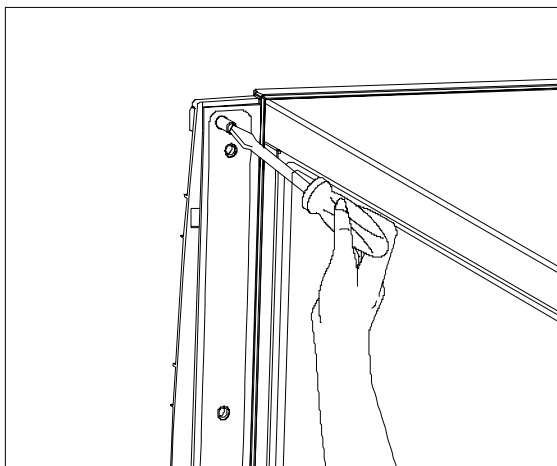


Figure - 5.1

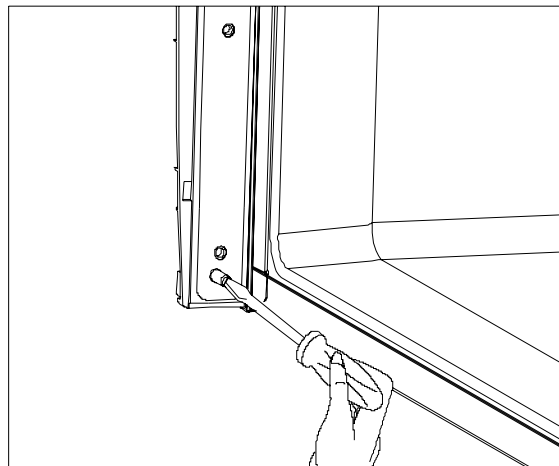


Figure - 5.2

	VESTEL TOP-TABLE	
ASSEMBLE & DISASSAMBLE		

- 6-** Replace the top bushing and top bushing cap. (FIG-6)
 (You can use the bushing cap that is put in the user manuel bag)
 Remove the bottom bushing and assemble it to the left side. (FIG-6)
 Remove the door handle caps. Unscrew the screws that are fixing the door handle.
 Assemble door handle to the right side by doing the reverse operation.(FIG-6/Detail-A)

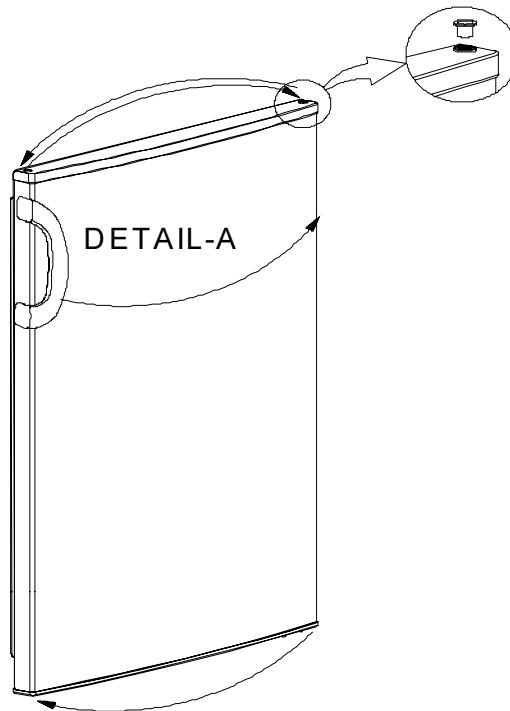


Figure - 6

- 7-** Assemble the door to the top hinge. (Reverse operation of item 4)
8- Screw the bottom hinge to the left side. Finally, screw the leveling foot to right side.

B- Changing The Freezer Door Swing Direction :

1. Remove the freezer door hinge cover. (FIG-1) Unscrew the two screws fixing the freezer door hinge and remove the freezer door (FIG-2)

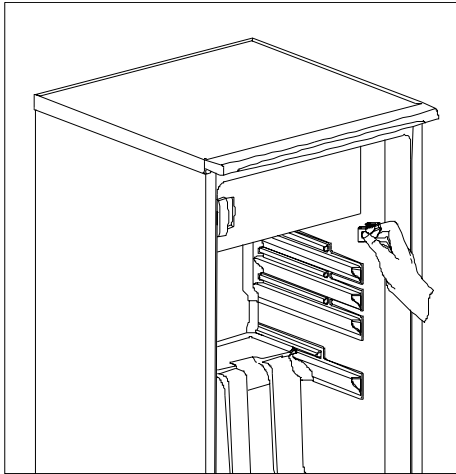


Figure - 1

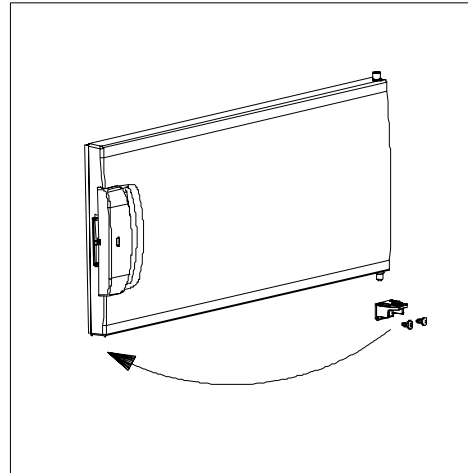


Figure - 2

2. Unscrew the one screw fixing the freezer door holder and remove it. Then screw it to the right side. Remove the two small caps on the left side and insert them to right side as shown in the figure. (FIG-3) Assemble the freezer door and fix the freezer door hinge by tightening the screws. (Reverse operation of item 1) (FIG-4) Finally, insert the freezer door hinge cover.

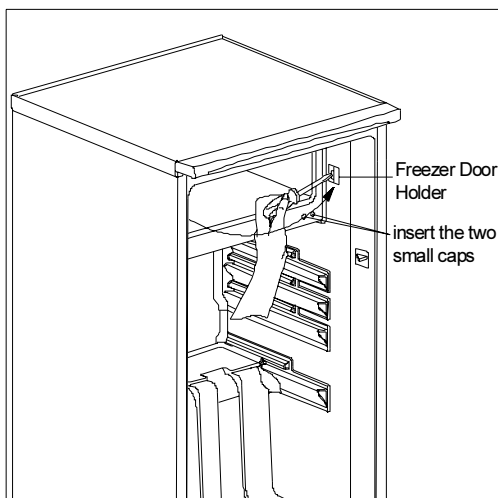


Figure - 3

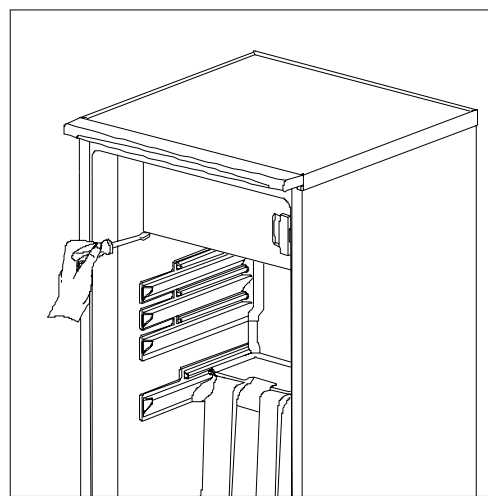


Figure - 4

C - Changing The Thermostat :

- 1) Remove the lamp cover and unscrew the fixing screw.
- 2) Remove the screw cap and unscrew the fixing screw.
- 3) Remove the thermostat box by pulling it and disconnecting the wire connector.
- 4) Remove the thermostat knob by pulling forward. Loosen the nut fixing the thermostat.
- 5) Pull out the thermostat bulb from the housing.
- 6) Replace the thermostat with a new one and assemble the thermostat box following the steps backwards.

D - Thermostat Knob

- ❖ This knob is used to control the temperature of the freezer and refrigerator parts automatically. It can be set to any value between “0” and “5” positions.
- ❖ “0” position indicates that the thermostat is “off”. The refrigerator is “off” on this setting.
- ❖ By turning the knob between “1” and “5”, you can increase or decrease the cooling degree.
- ❖ The refrigerator is designed to get optimum performance when the thermostat knob is set between position “2” to “4”.

