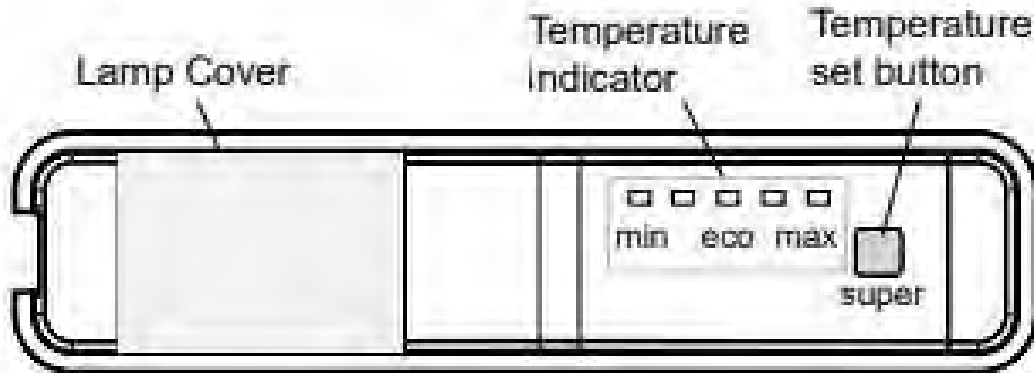


Display and Control Panel



Lighting (If available)

When the product is plugged in for the first time, the interior lights may turn on 1 minute late due to opening tests.

Temperature Set Button

This button allows setting temperature of the fridge. In order to set values for fridge partition, press this button.

Temperature Settings

- Every time you press the button, the setting temperature will decrease.
- Settings display and you do not press any button within the following 3 seconds. If refrigerator has got freezer compartment

Super Freeze Mode

When would it be used?

- To freeze huge quantities of food.
- To freeze fast food.
- To freeze food quickly.
- To store seasonal food for a long time.

If refrigerator is cooler

Super Cooling Mode

When would it be used?

- To cooling huge quantities of food.
- To cooling fast food. • To cooling food quickly.
- To store seasonal food for a long time.

How to use?

- Hold down temperature set button for 5 seconds to activate super mode when set is MAX.
- All lights will be lighted constantly

During this mode: If you hold down set button for 5 seconds, super mode will be deactivated. The super mode will be cancel automatically after max 48 hours



BUILT IN – 1407 / 1807 / 2407 (S CAP)



Display and Control Panel

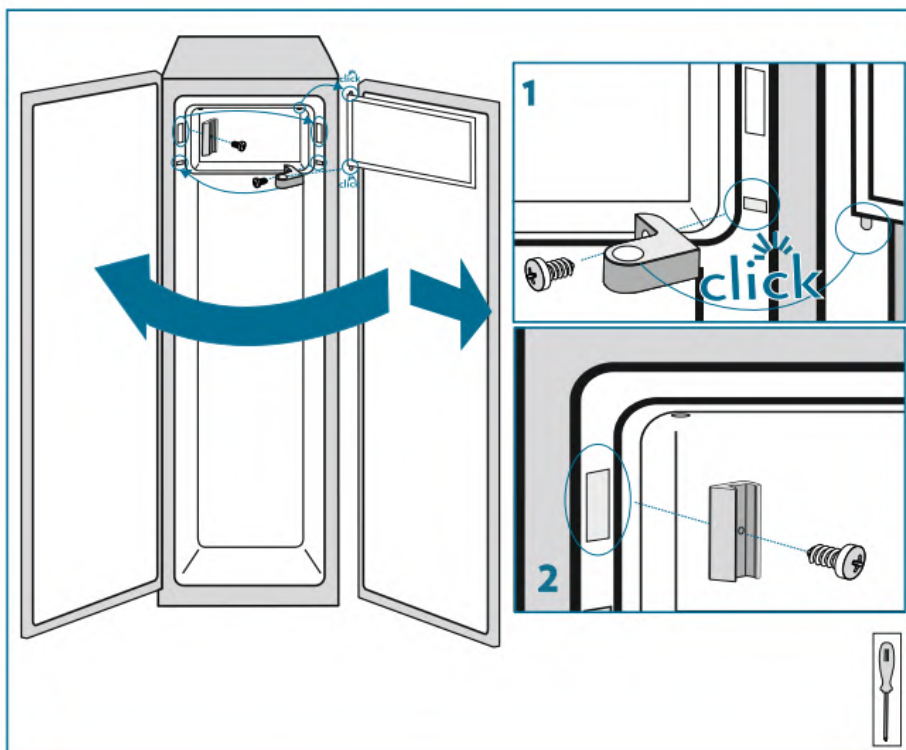
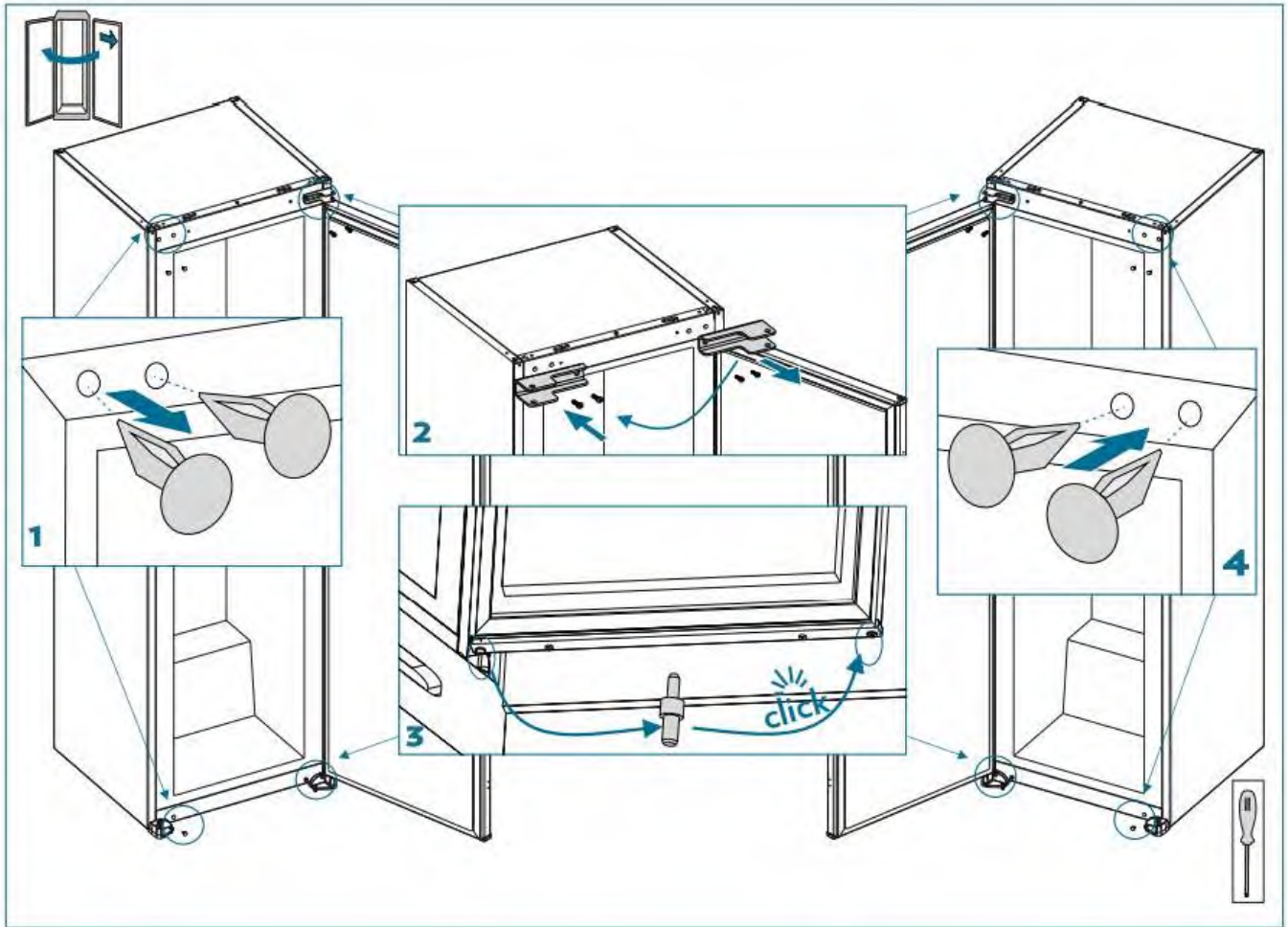
Demo Mode

- Demo mode can be active in the first 1 minute.
- First select the "4" set value, after that press set button 5 seconds.
- All components will be off except interior lighting and set value leds.
- The set leds will start to turn on in sequence every 1 second. (example; set_1 led light, after 1 second set_1 led light off , set_2 led light on..)
- To exit this mode, press and hold the set button for 5 seconds.

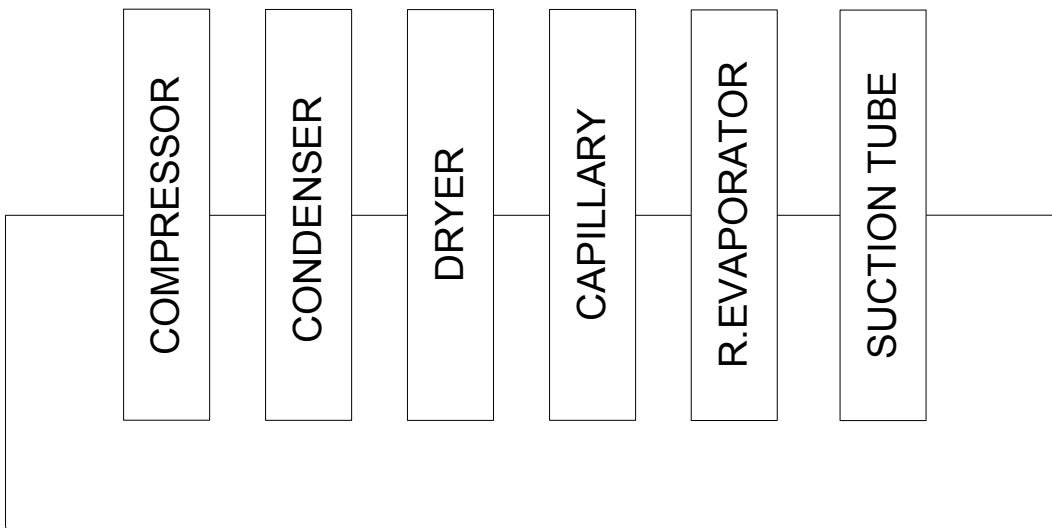
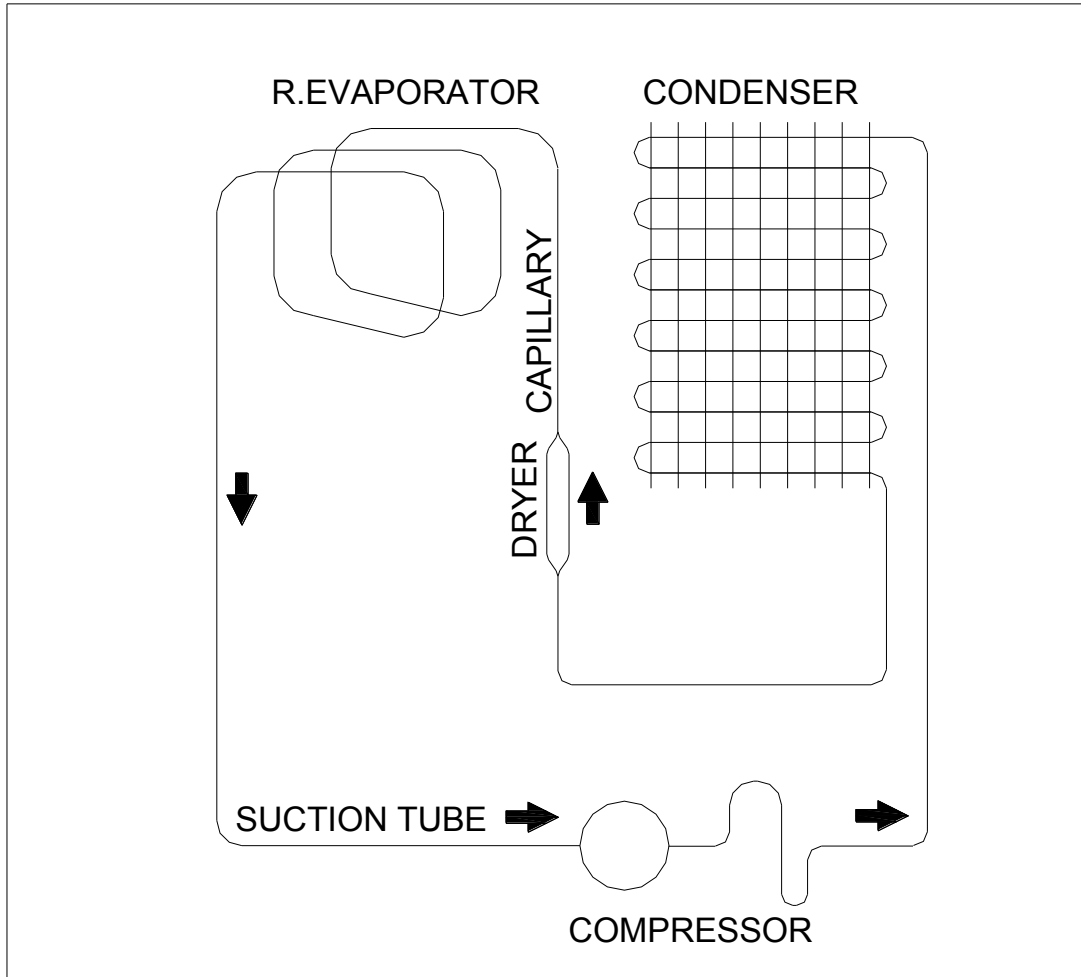
Stand by Mode

- Select min set value by press set button.
- Press and hold the set button for 5 seconds.
- All components will be off.(include lighting)
- When mode activated, all leds will blink three times and turn off.
- If the mode is active when the set key is pressed for less than 5 seconds, all leds will blink 3 times.
- To exit this mode, press and hold the set button for 5 seconds.

Changing The Door Swing Direction



REFRIGERANT CYCLE DIAGRAM



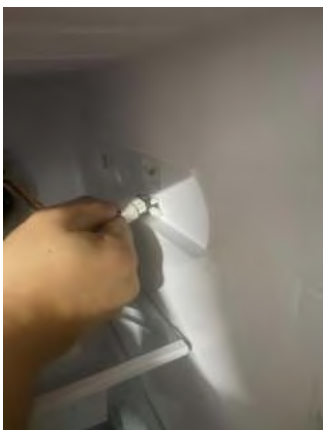
Replecament of Thermostat Group

Warning: The plug must be pulled out before the therm. gr is removed.

Remove the plug by pulling them under the base with a pointed device to remove the screw plug and remove the screw.



Take out the sockets and replace the fan motor



Replacament of Door Switch

Remove the door switch by pulling forward and disconnect switch connector.



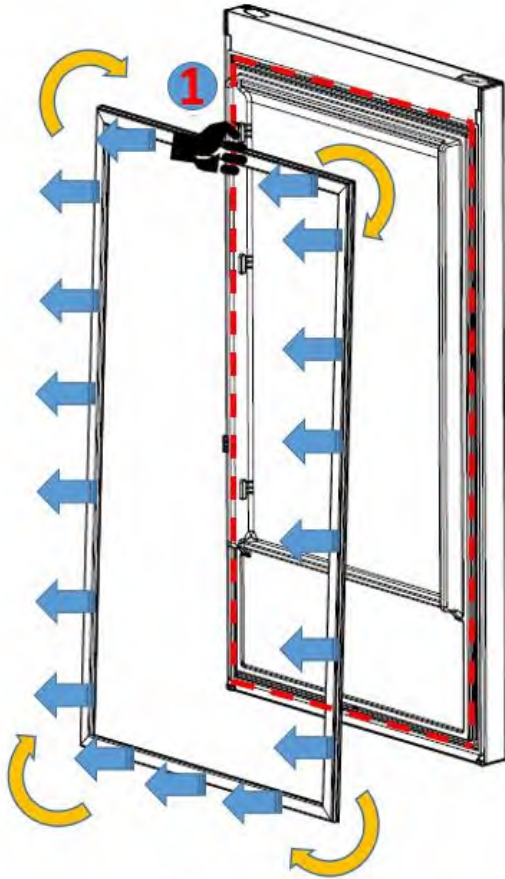
Door switch
Door open = switch closed
Door closed = switch open



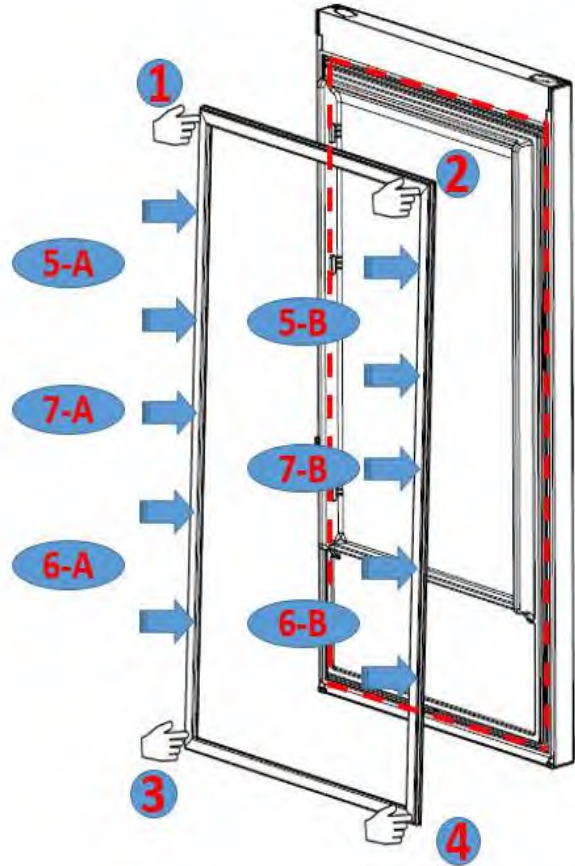
Warning: Pay attention not to damage to the door switch body details!

Replecament of Door Gasket

Pull the gasket towards starting middle of the top edge as shown. Slowly pull towards left and right corner. Then continue through frame until the gasket will completely removebe removed from door.



Check the replacement gasket form. Starting with upper left corner, press on the gasket until it fits to its place.. Place the other sides of the gasket with the help of your thumb as the sequence shown on picture.

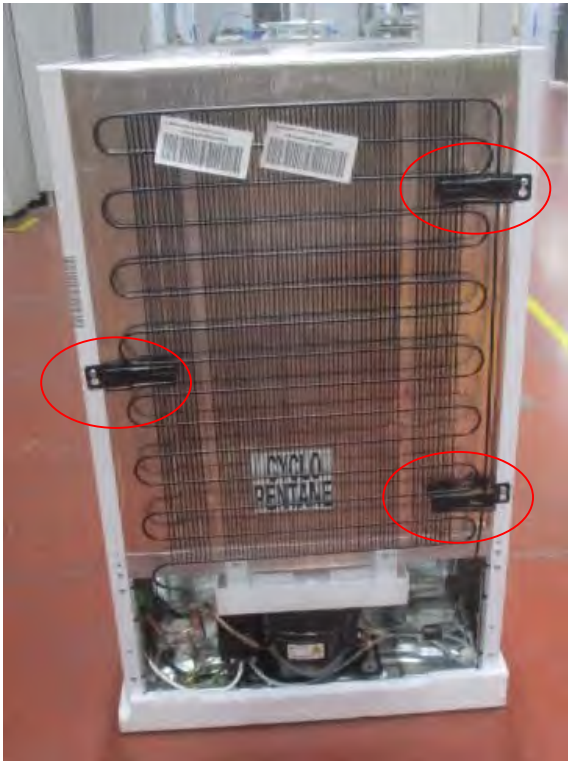


After the replacement check if there any non-fitting point on the gasket. Also check if there any opening at the gasket while the door is closed. If so that might cause condensation/icing or insufficient cooling/freezing. To prevent this soften the form of the gasket with the help of a hair dryer or hot water and make sure that all points are closing perfectly.

Replacment of Main Condanser



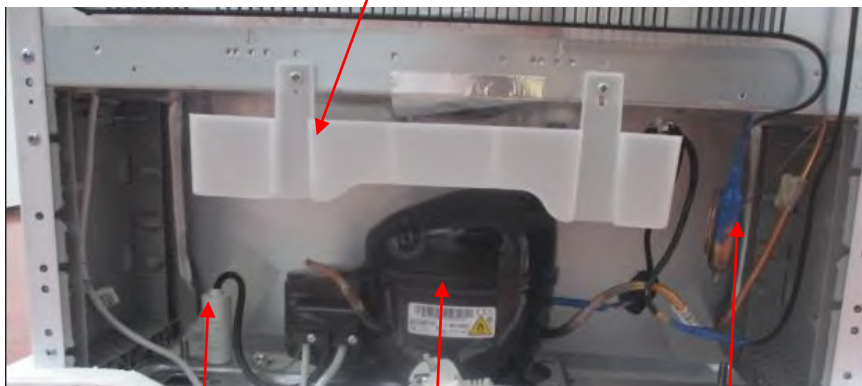
The plug must be pulled out before condanser is removed.



Dissassemble the back condanser by using the screwdriver to remove 3 screws.

Separate the compressor by using the plier to cut the welding connector.

Condensation water tray



Capacitor
(Optional)

Compressor

Dryer

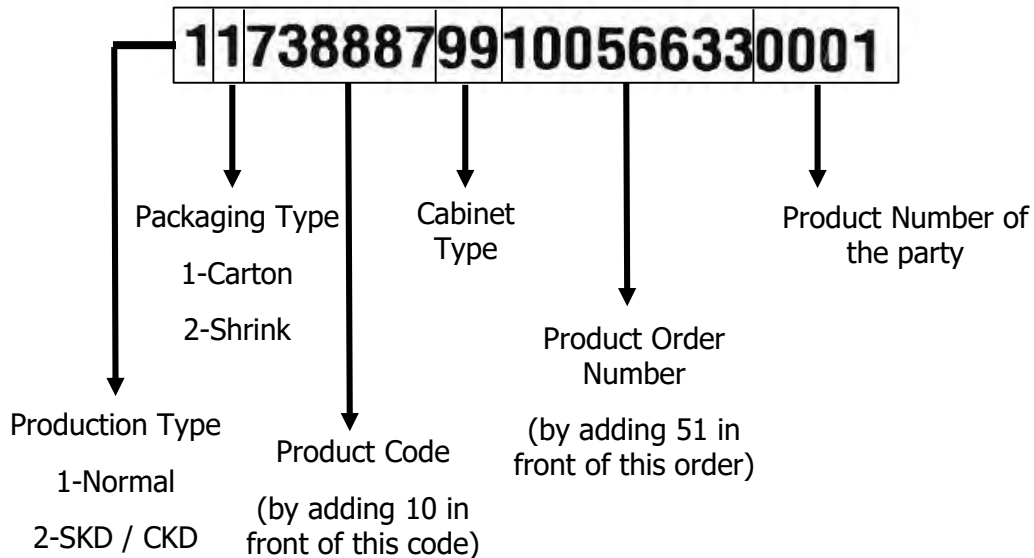
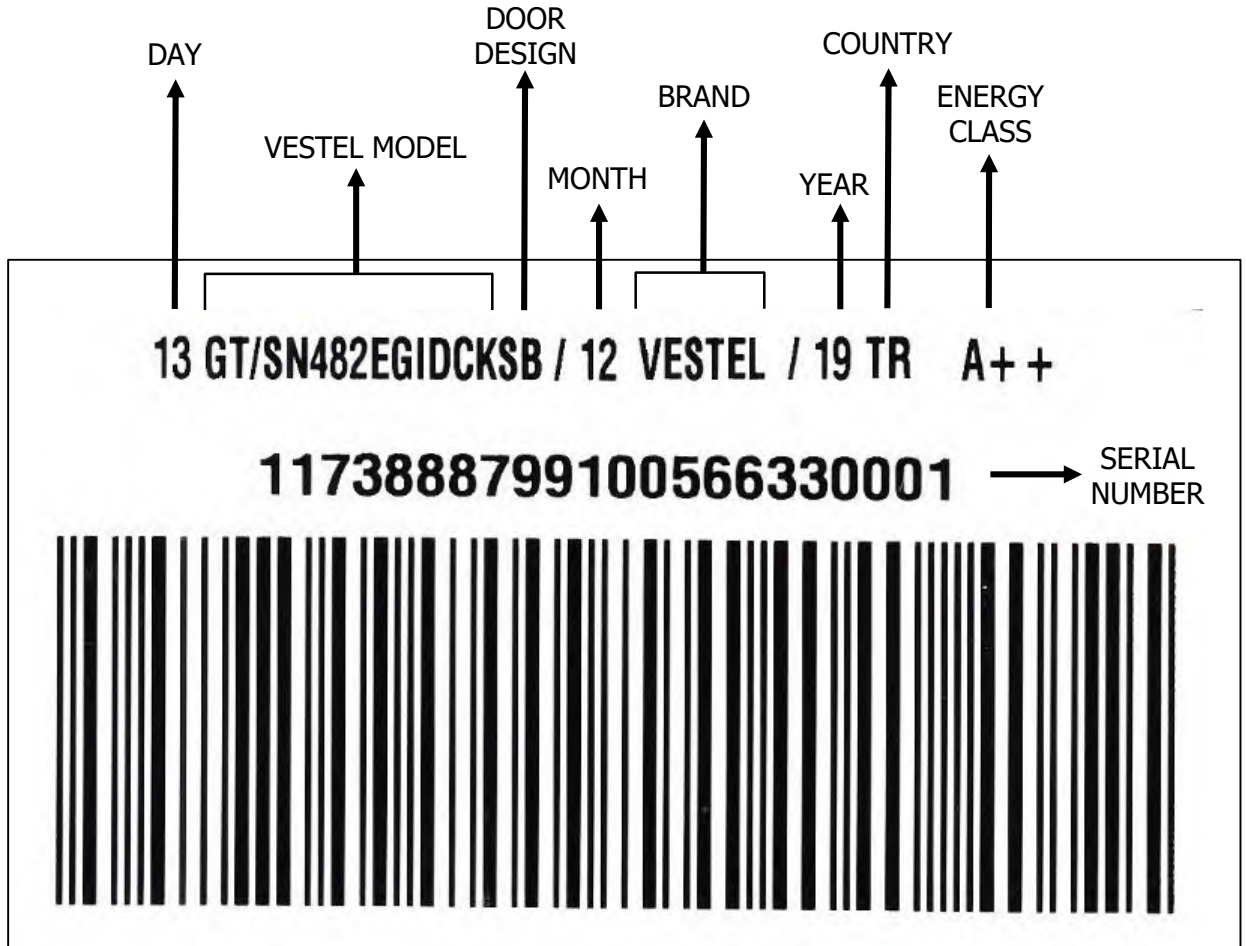


BUILT IN – 1407 / 1807 / 2407 (S CAP)



Barcode and Serial Number Explanation

Vestel refrigerator serial numbers are consist of 22 digits.



Exp:10738887