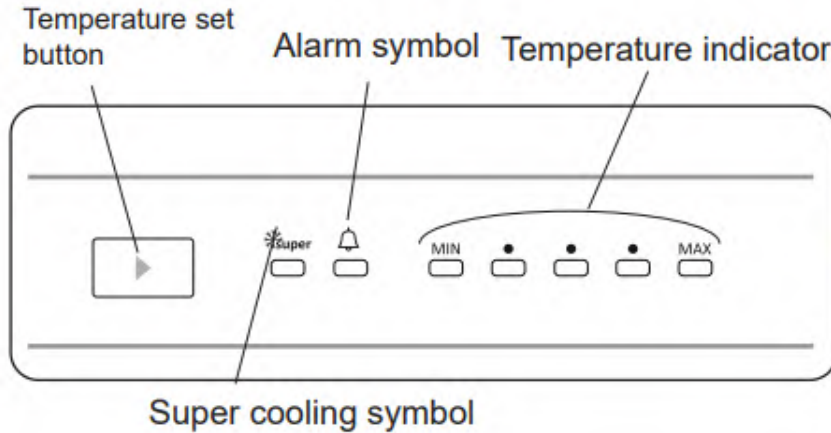


Display and Control Panel



Lighting (If available)

When the product is plugged in for the first time, the interior lights may turn on 1 minute late due to opening tests.

Temperature Set Button

This button allows setting temperature of the fridge. In order to set values for fridge partition, press this button. Use this button also to activate super mode.

Temperature Settings

- It ensures that the temperature settings in the cooling and freezing compartments of your refrigerator are performed automatically. It may be set to any value ranging from MIN /8 to MAX /2 and super cooling mode. As you press temperature set button from MIN to MAX the temperature decreases. To save energy in winter months, operate your refrigerator in a lower position.
- Initial temperature setting for refrigerator is at the middle point.
- Every time you press temperature set button, setting temperature will decrease until super cooling symbol and if you keep on pressing the set temperature will be min set temperature again.

Super Cooling Mode

When would it be used?

- To cooling huge quantities of food.
- To cooling fast food.
- To cooling food quickly.
- To store seasonal food for a long time.

How To Use?

- Press temperature set button until super freezing light comes on.
- Super led will light during this mode.

During this mode: The super mode will be cancel automatically max 48 hours.

Alarm light

In case of a problem within the fridge, the alarm led will release red light.

Door Open Alarm Function

If fridge door is opened more than 2 minutes, appliance sounds 'beep beep'.



BUILT IN – 1407 / 1807 / 2407 (PBD)



Display and Control Panel

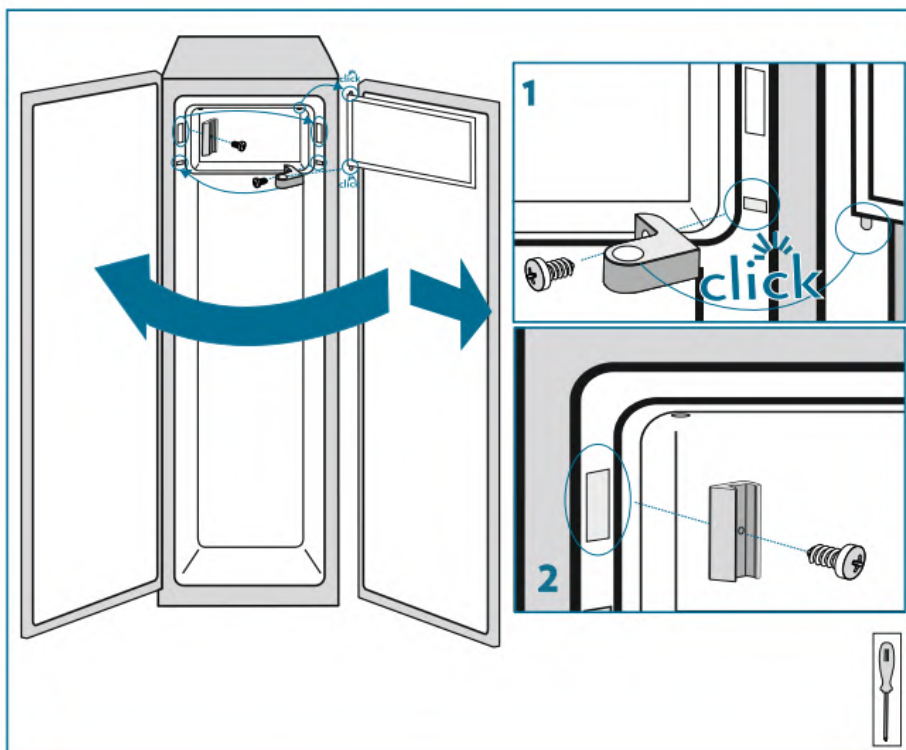
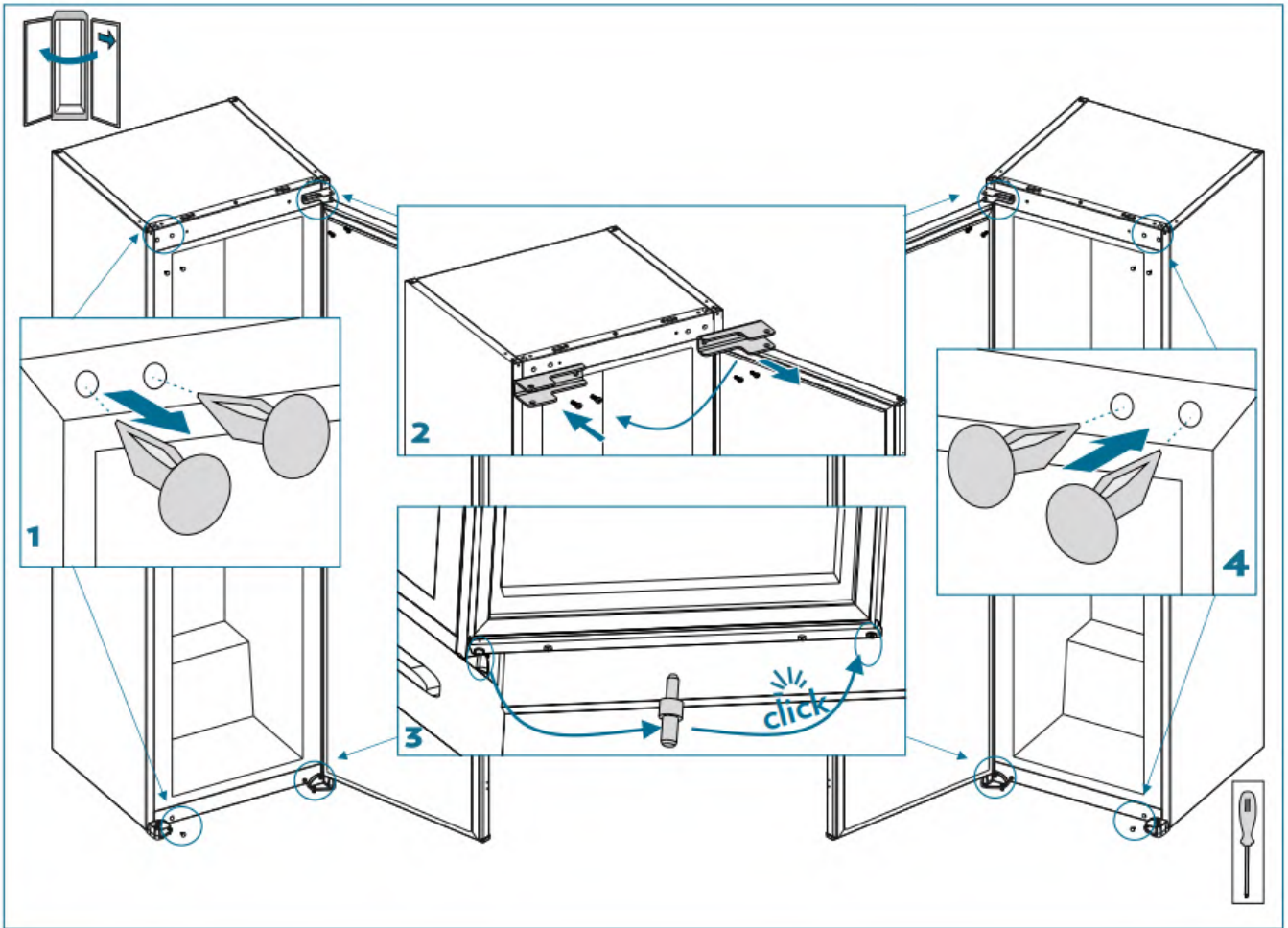
Demo Mode

- Demo mode can be active in the first 1 minute.
- First select the "4" set value, after that press set button 5 seconds.
- All components will be off except interior lighting and set value leds.
- The set leds will start to turn on in sequence every 1 second. (example; set_1 led light, after 1 second set_1 led light off , set_2 led light on..)
- To exit this mode, press and hold the set button for 5 seconds.

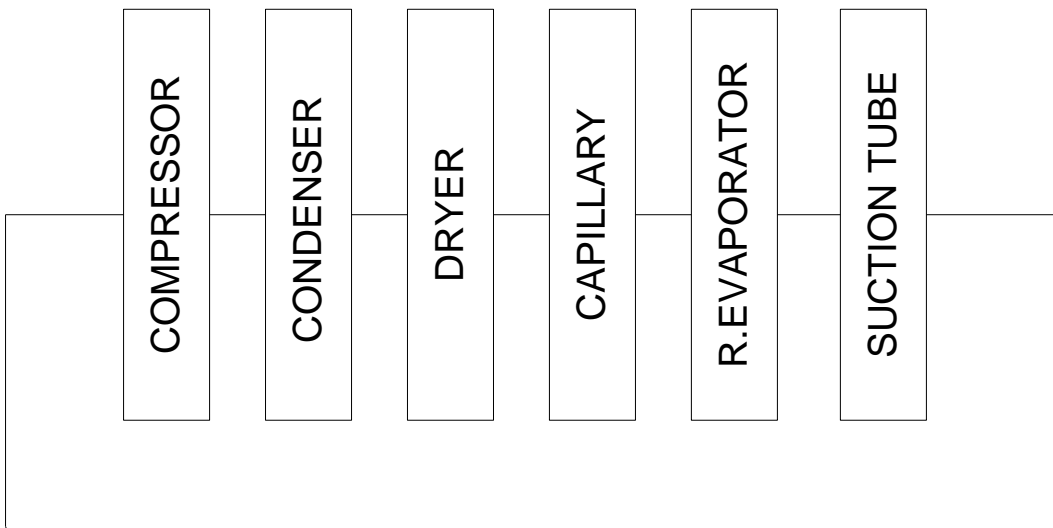
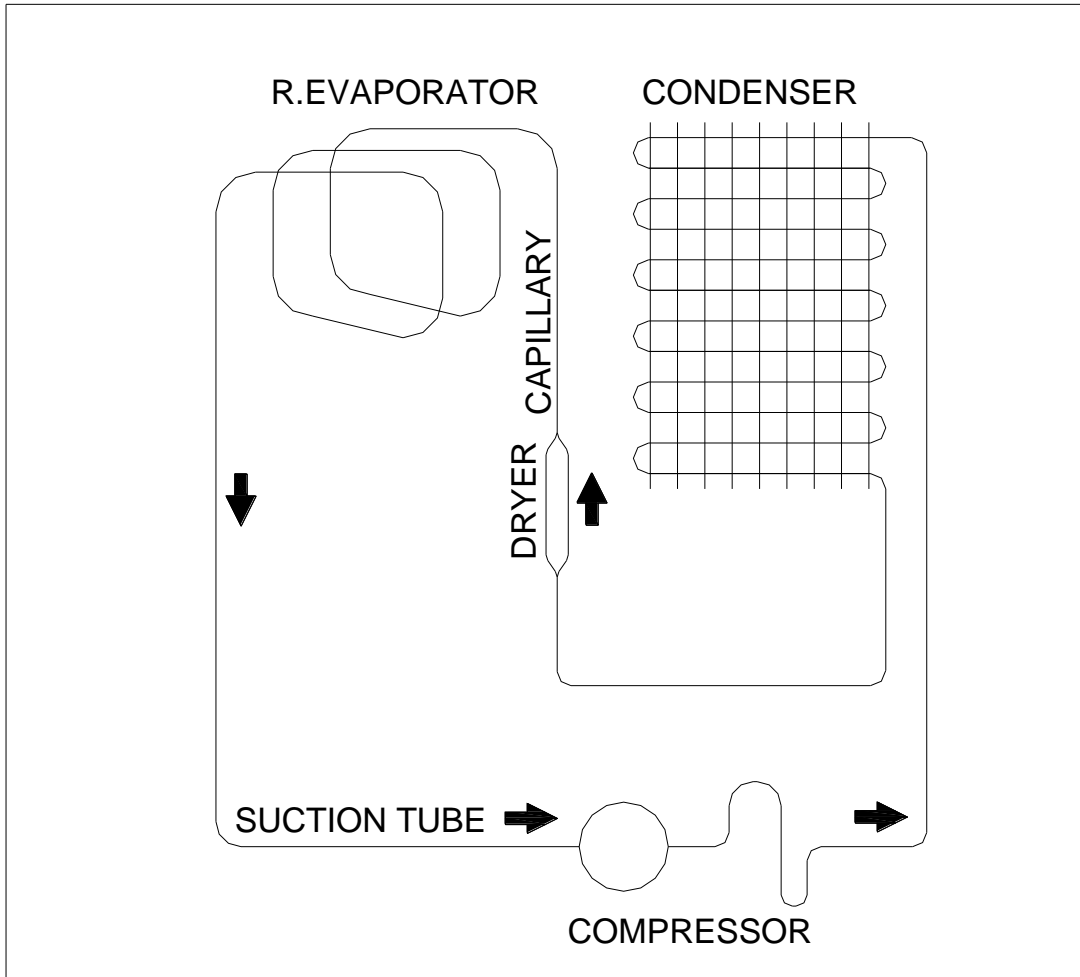
Stand by Mode

- Select min set value by press set button.
- Press and hold the set button for 5 seconds.
- All components will be off.(include lighting)
- When mode activated, all leds will blink three times and turn off.
- If the mode is active when the set key is pressed for less than 5 seconds, all leds will blink 3 times.
- To exit this mode, press and hold the set button for 5 seconds.

Changing The Door Swing Direction



REFRIGERANT CYCLE DIAGRAM





Warning: The plug must be pulled out before the therm. gr is removed.

Remove the plug by pulling them under the base with a pointed device to remove the screw plug and remove the screw.



Take out the sockets and replace the fan motor





BUILT IN – 1407 / 1807 / 2407 (PBD)

Replecament of Display&Mainboard



First remove cover by pulling leftward as shown below.



Remove other cover by pulling backward from top side of the cover as shown below



Unhook snapfits on the head panel by reaching from related cavities and pull head panel backward.

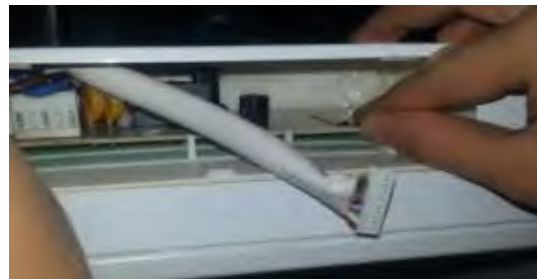
To disconnect head panel unplug socket from the card



Unscrew screws on the card and unhook snapfits and then replace card with new one

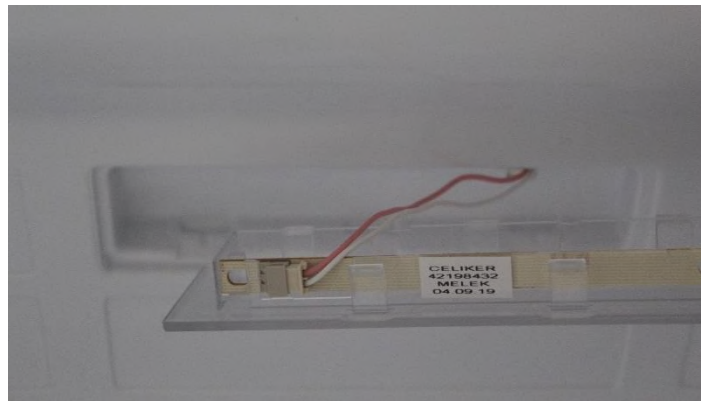
After disassembly head panel , mainboard in the housing can be reached. Lift up mainboard and pull outward from housing then disconnect sockets on the board,

For reassembly , follow steps vice versa



Replecament of Led**Replacement Led and Led Cover**

Remove the led cover by pulling forward and disconnect the connector.



Replecament of Door Switch

Remove the door switch by pulling forward and disconnect switch connector.



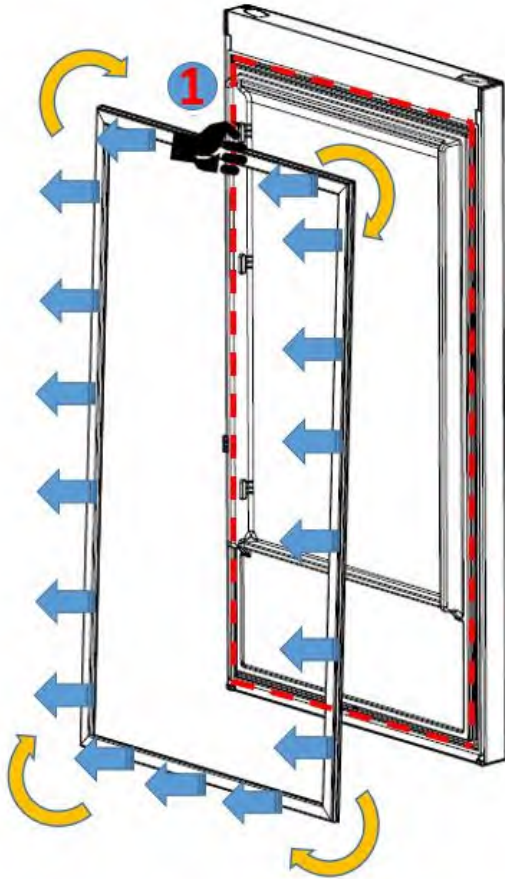
Door switch
Door open = switch closed
Door closed = switch open



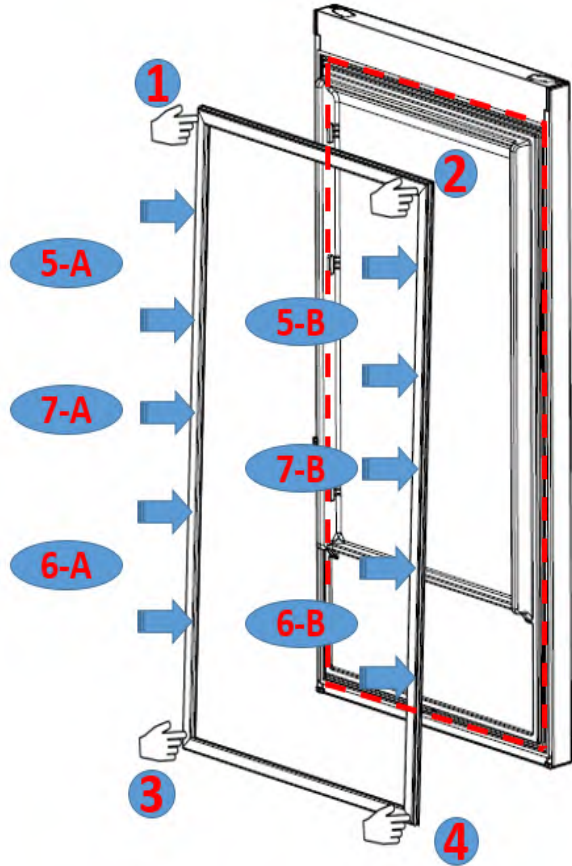
Warning: Pay attention not to damage to the door switch body details!

Replecament of Door Gasket

Pull the gasket towards starting middle of the top edge as shown. Slowly pull towards left and right corner. Then continue through frame until the gasket will completely removebe removed from door.



Check the replacement gasket form. Starting with upper left corner, press on the gasket until it fits to its place.. Place the other sides of the gasket with the help of your thumb as the sequence shown on picture.

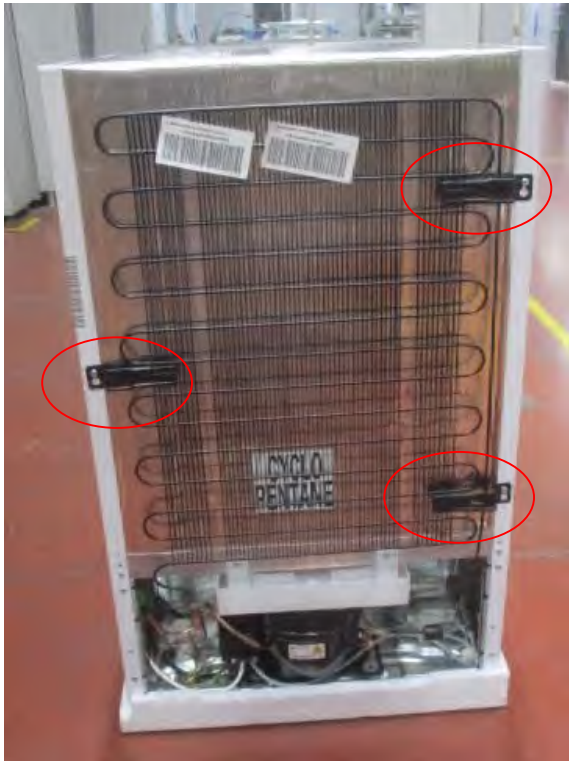


After the replacement check if there any non-fitting point on the gasket. Also check if there any opening at the gasket while the door is closed. If so that might cause condensation/icing or insufficient cooling/freezing. To prevent this soften the form of the gasket with the help of a hair dryer or hot water and make sure that all points are closing perfectly.

Replecament of Main Condanser



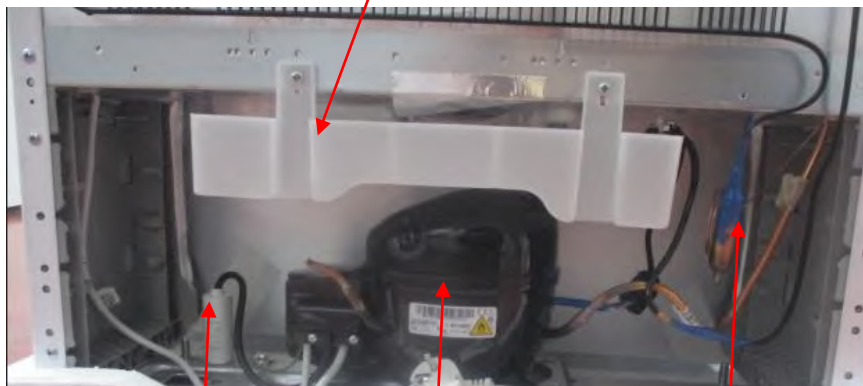
The plug must be pulled out before condanser is removed.



Dissassemble the back condanser by using the screwdriver to remove 3 screws.

Separate the compressor by using the plier to cut the welding connector.

Condensation water tray



Capacitor
(Optional)

Compressor

Dryer

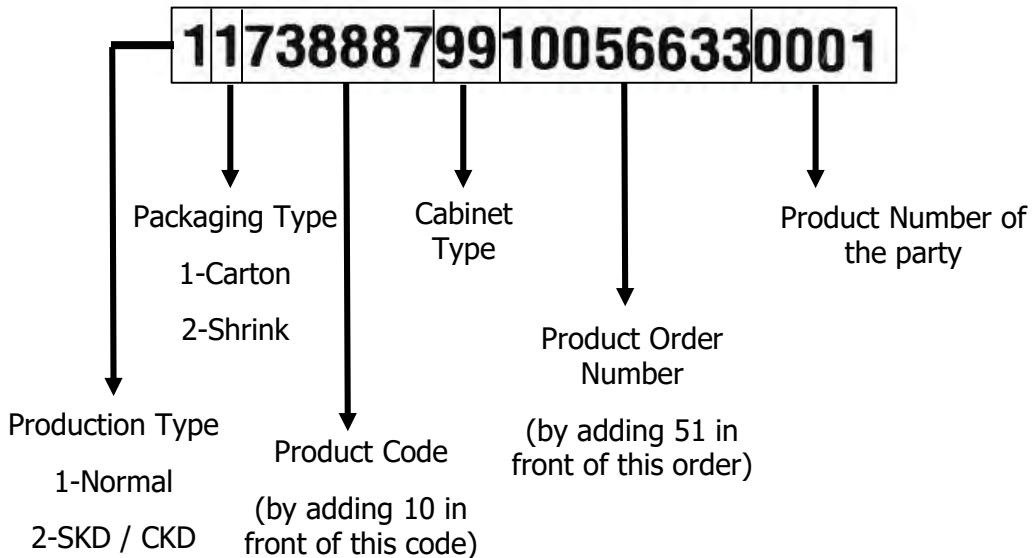
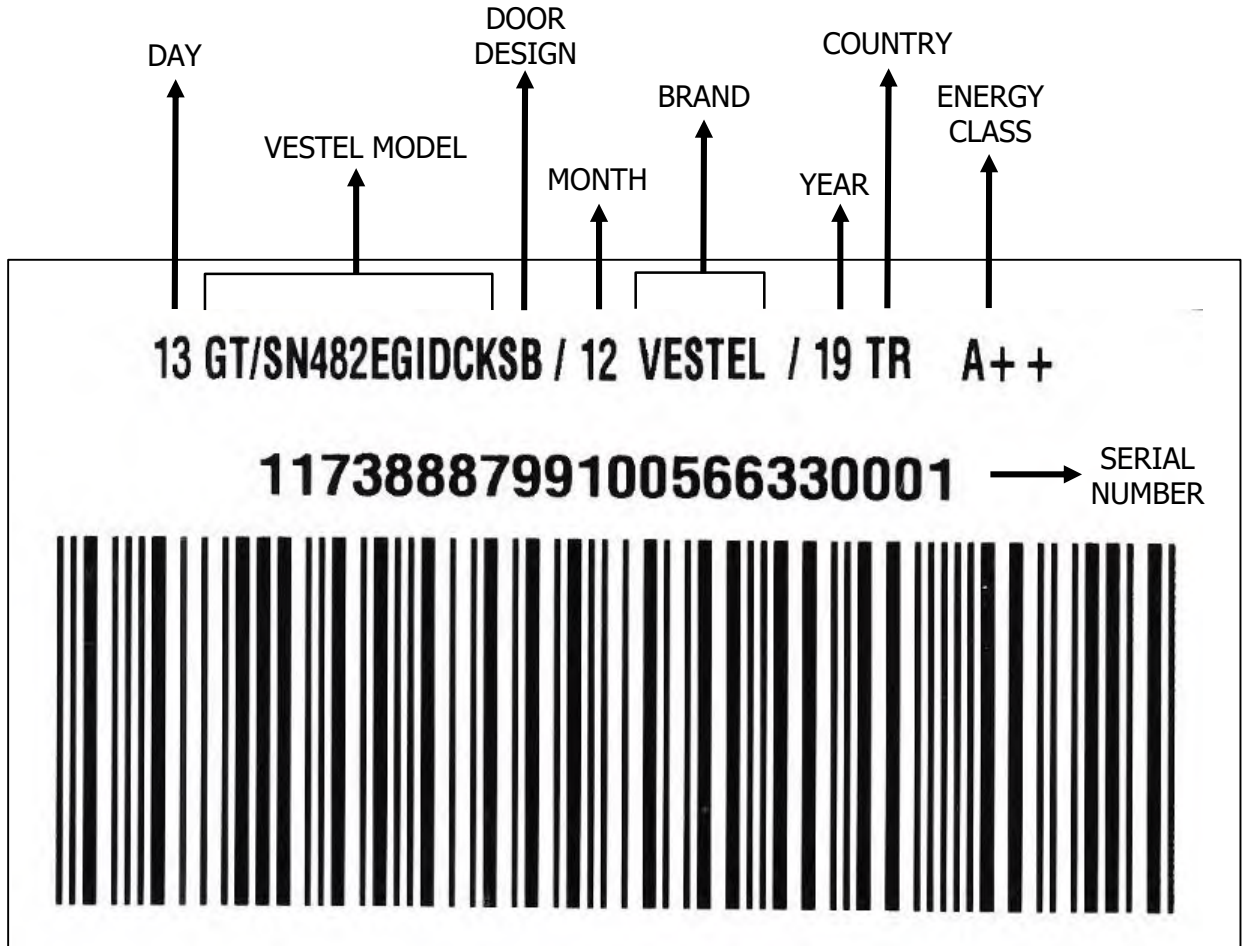


BUILT IN – 1407 / 1807 / 2407 (PBD)



Barcode and Serial Number Explanation

Vestel refrigerator serial numbers are consist of 22 digits.



Exp:10738887