

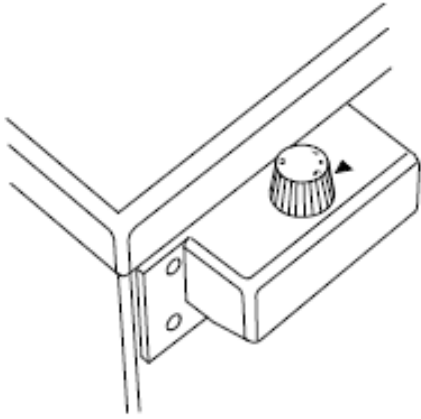
- 1) Thermostat knob
- 2) Freezer upper flap / Freezer upper drawer
- 3) Freezer drawers
- 4) Levelling feet
- 5) Freezer glass shelves *
- 6) Ice box tray
- 7) Plastic ice scraper *

** In some models*

About freezer glass shelves: When the freezer is unpacked, both two of the freezer glass shelves may be in the lower freezer shelf position. In this situation, remove the bigger shelf and place it on the upper shelf position.

General notes:

Freezer Compartment (Freezer): Most Efficient use of energy is ensured in the configuration with the drawers and bins are on stock position.



The thermostat automatically regulates the temperature inside the cooler and freezer compartments. Refrigerator temperatures can be obtained by rotating the knob to higher numbers; 1 to 3, 1 to 5 or SF

(Maximum numbers on the thermostat depends on your product.)

Important note: Do not try to rotate the knob beyond position 1, it will stop your appliance from working.

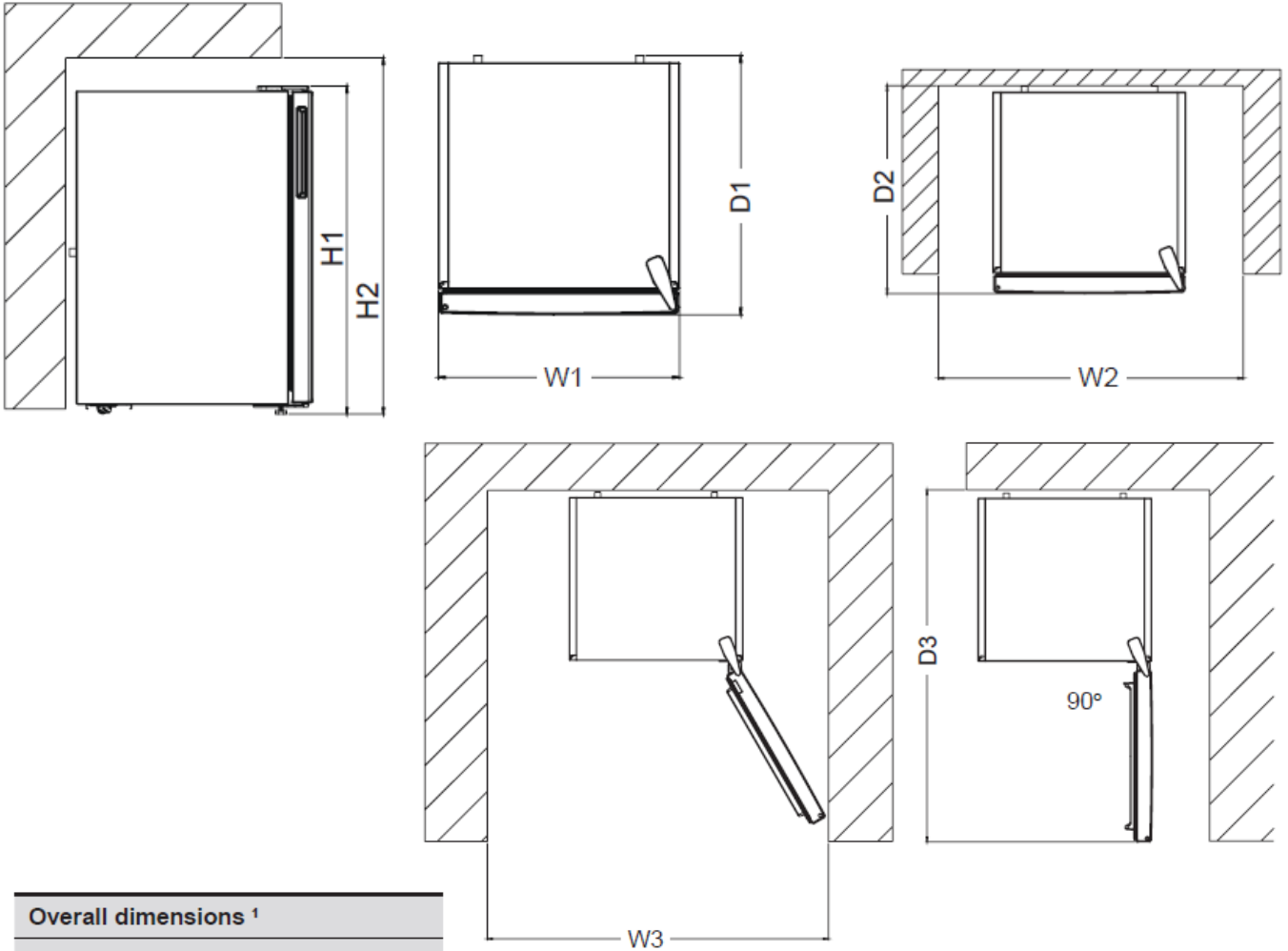
Thermostat Settings

1: For short-term storage of food

2: For long-term storage of food

3 : Maximum cooling position. The appliance will work longer. If required, change the temperature setting.

DIMENSIONS



Overall dimensions ¹

H1	mm	838
W1	mm	540
D1	mm	615

¹ the height, width and depth of the appliance without the handle.

Space required in use ²

H2	mm	988
W2	mm	640
D2	mm	712,8

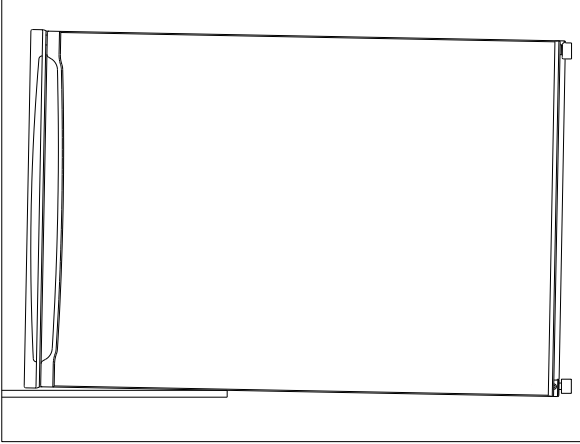
² the height, width and depth of the appliance including the handle, plus the space necessary for free circulation of the cooling air.

Overall space required in use ³

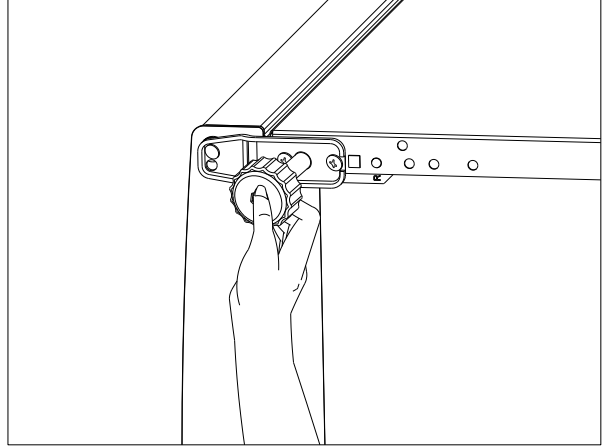
W3	mm	658,5
D3	mm	1109,5

³ the height, width and depth of the appliance including the handle, plus the space necessary for free circulation of the cooling air, plus the space necessary to allow door opening to the minimum angle permitting removal of all internal equipment.

1. Lie down the appliance to the left side. (Pic-1) 2. Dismantle both leveling foot. (Pic-2)

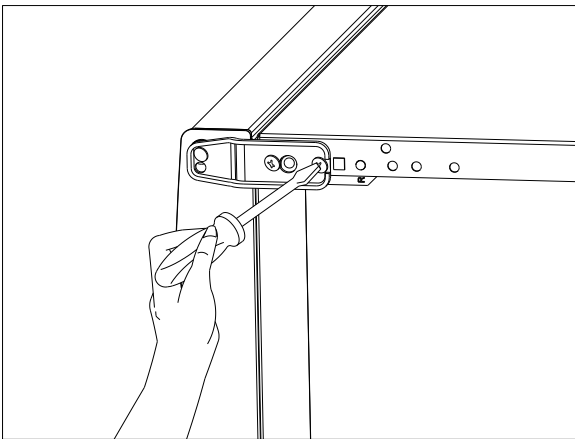


Picture-1



Picture-2

3. Unscrew the bottom hinge fixing screws and remove it. (Pic-3.1)
Unscrew the bottom hinge pin and screw in the next hole. (Pic-3.2)

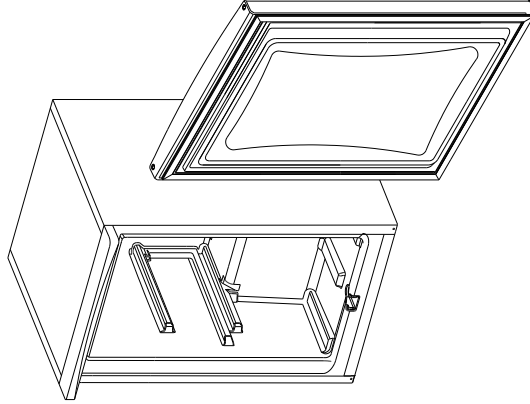


Picture-3.1



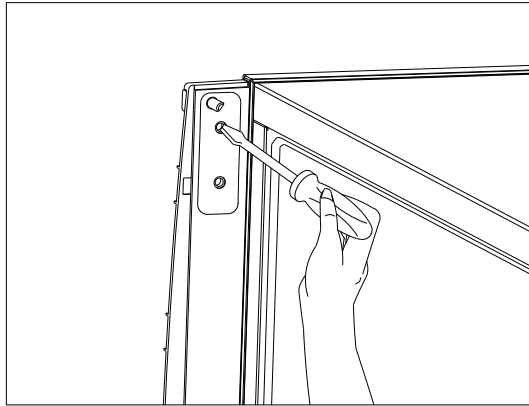
Picture-3.2

4 . Remove the door. (Pic-4)



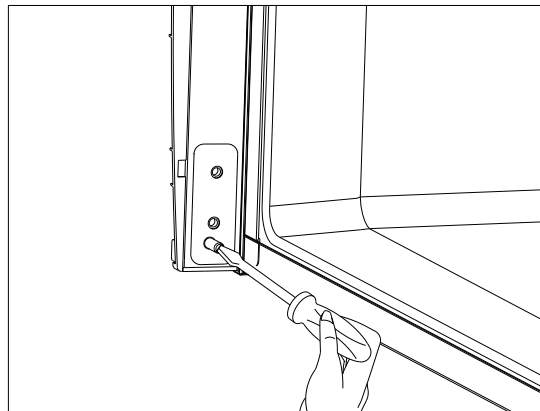
Picture-4

5. Unscrew the top hinge (Pic-5)



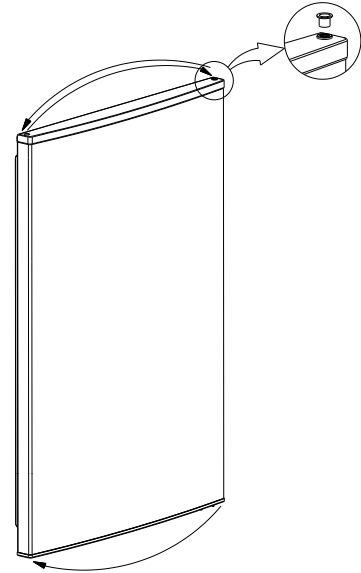
Picture-5

6. Unscrew the right pin of the top hinge and screw the pin on the left hole of the top hinge. Than screw the top hinge on the left side. (Pic-6)



Picture-6

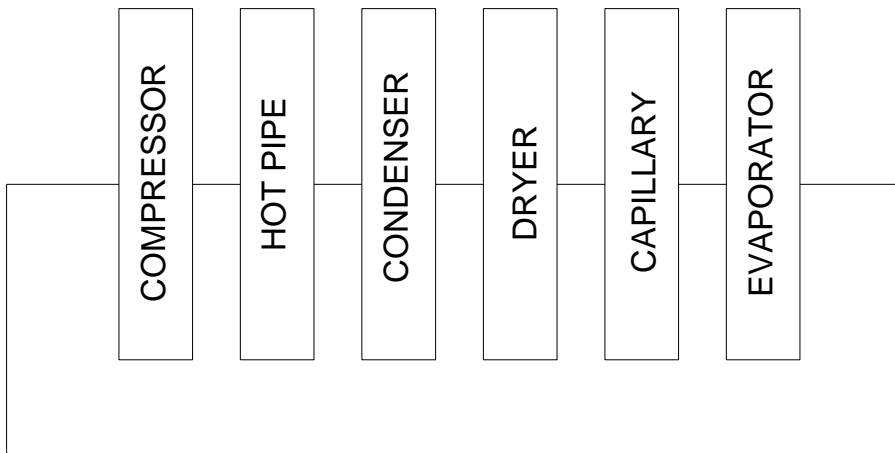
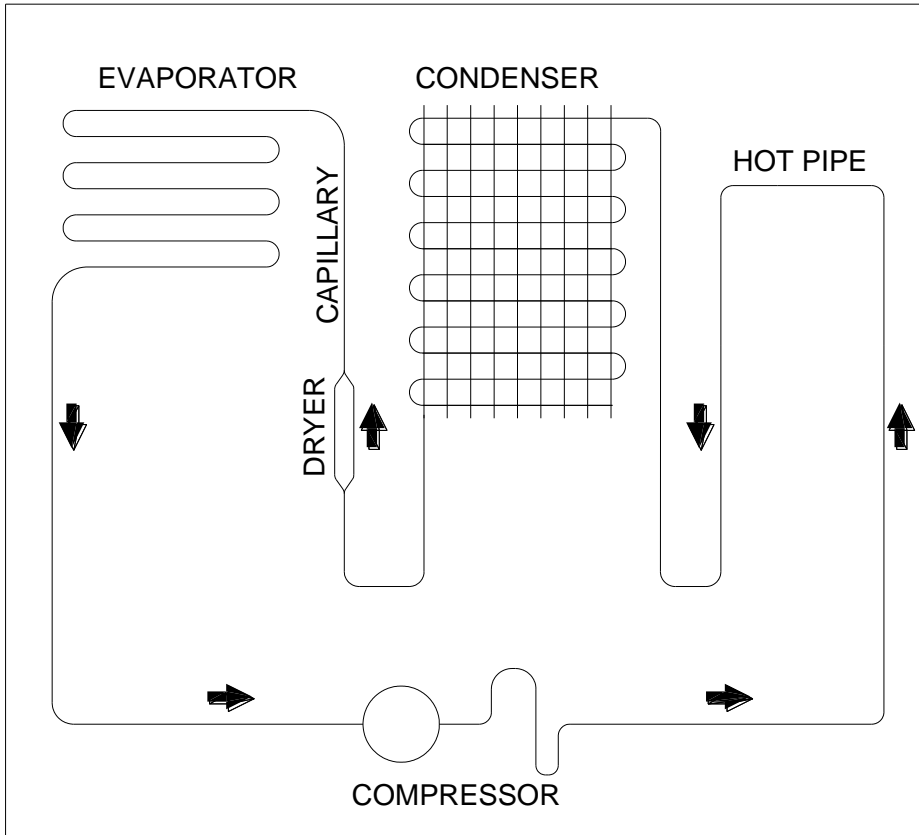
7- Replace the top bushing and top bushing cap. (Pic-7)
(You can use the bushing cap that is put in the user
manuel bag)
Remove the bottom bushing and assemble it to the left
side. (Pic-7)



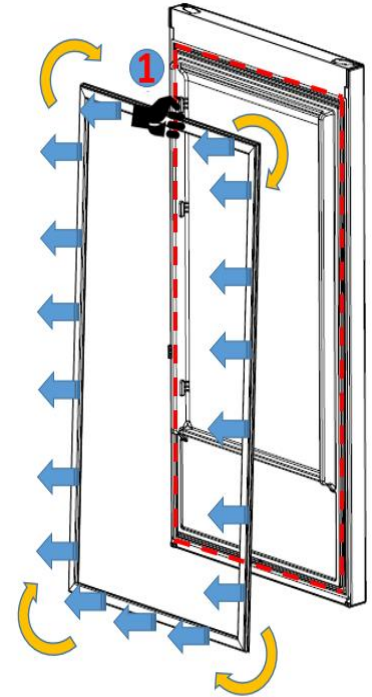
Picture-7

6- Assemble the door to the top hinge. (Reverse operation of item 4)

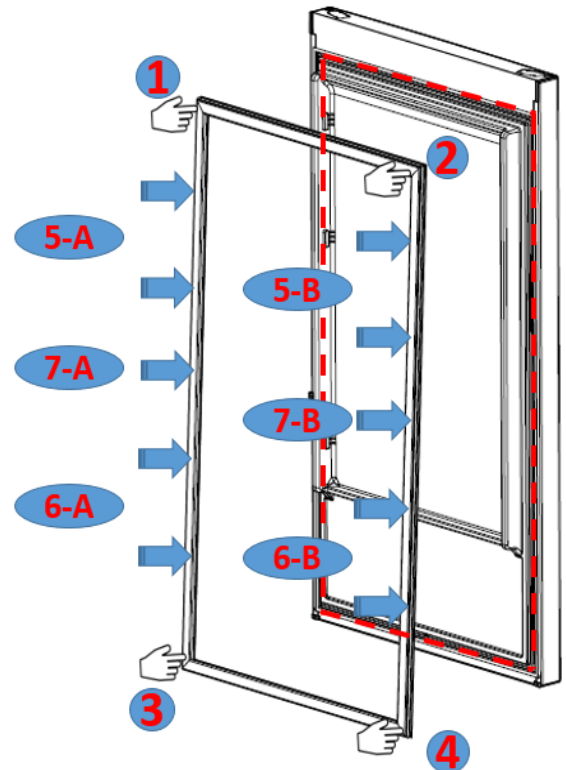
7- Screw the bottom hinge to the left side of the refrigerator and screw the both leveling feet.



Pull the gasket towards starting from top right corner
Slowly pull the rest of the gasket.
Completely remove the gasket from door.



Check the replacement gasket form
Starting with upper right corner, press on the gasket until it fits to its place..
Place the other sides of the gasket with the help of your thumb



After the replacement check if there any non-fitting point on the gasket. Also check if there any opening at the gasket while the door is closed. If so that might cause condensation/icing or insufficient cooling/freezing. To prevent this soften the form of the gasket with the help of a hair dryer or hot water and make sure that all points are closing perfectly.