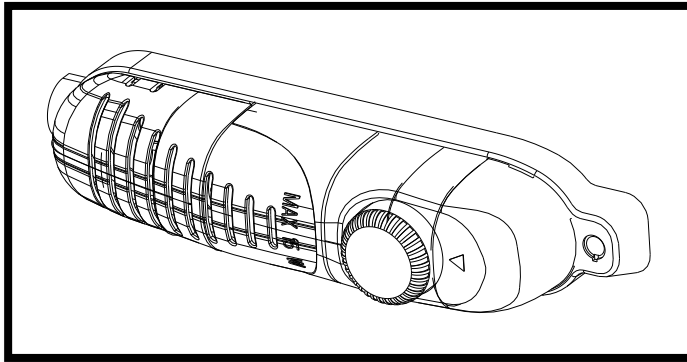


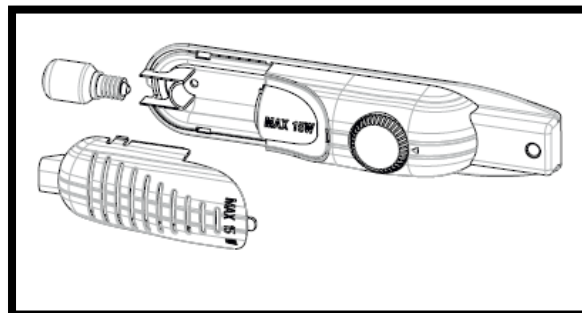
Thermostat Control

- Larders (coolers) have not any freezer compartment but can cool below 5°C.
- Thermostat automatically regulates the inside temperature of the refrigerator compartment. By rotating the knob from position 1. to 5., colder temperatures can be obtained.
- « • » position shows thermostat is closed and no cooling is available.
- For short-term storage of food in the freezer/refrigerator compartment, you can set the knob between minimum and medium position.(1-3)
- For long-term storage of food, you can set knob to medium position.(3-4)



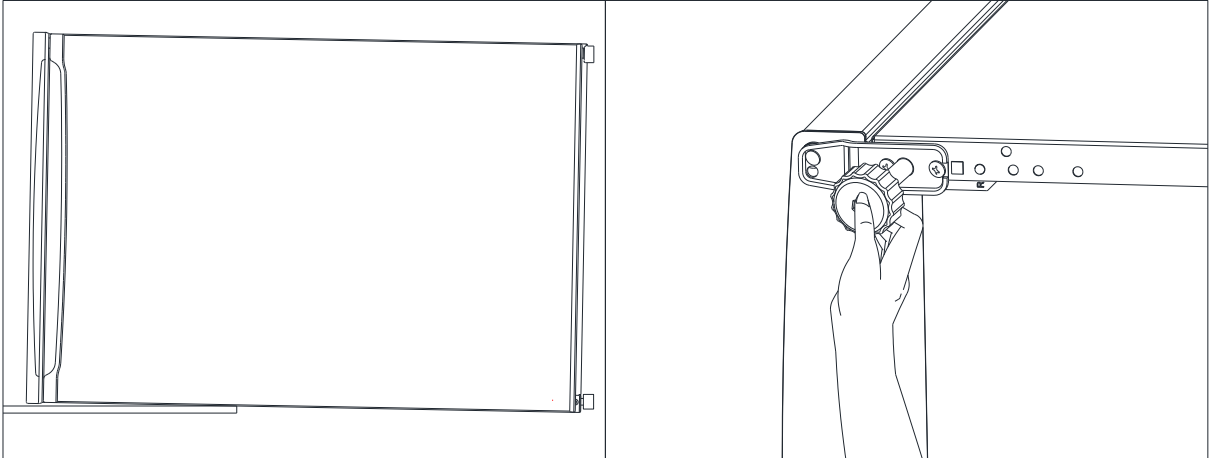
Replacement of Refrigerator Lamp

- 1- Unplug your fridge.
- 2- Remove the cover of the box from the claws using a screwdriver.
- 3- Replace with a bulb of maximum 15 Watts.
- 4- Install the cover.
- 5- Wait for 5 minutes before re-plugging and bring the thermostat to its original position.

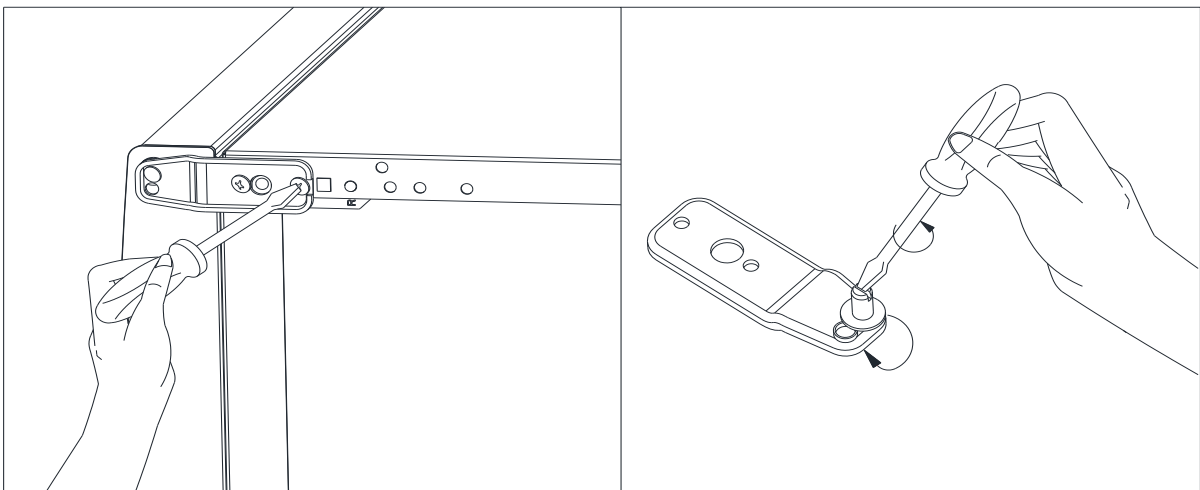


CHANGING THE DOORWAY DIRECTION

1. Lie down the appliance to the left side and dismantle both leveling foot.

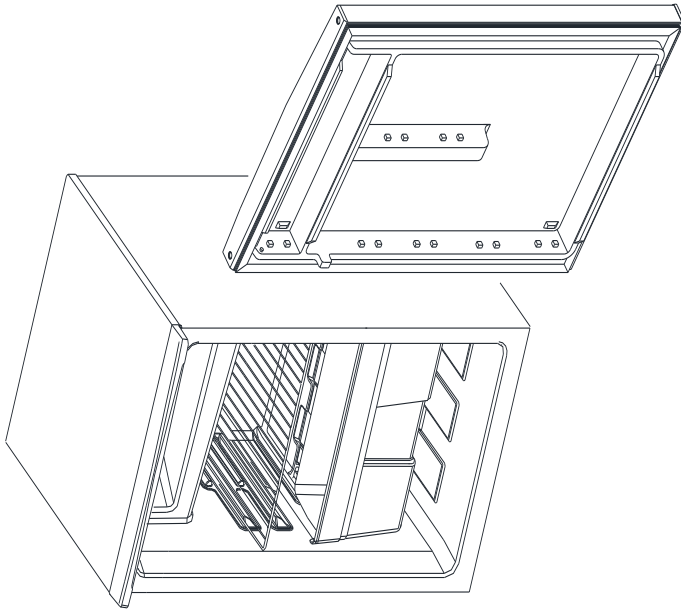


2. Unscrew the bottom hinge fixing screws and remove it. Unscrew the bottom hinge pin and screw in the next hole.

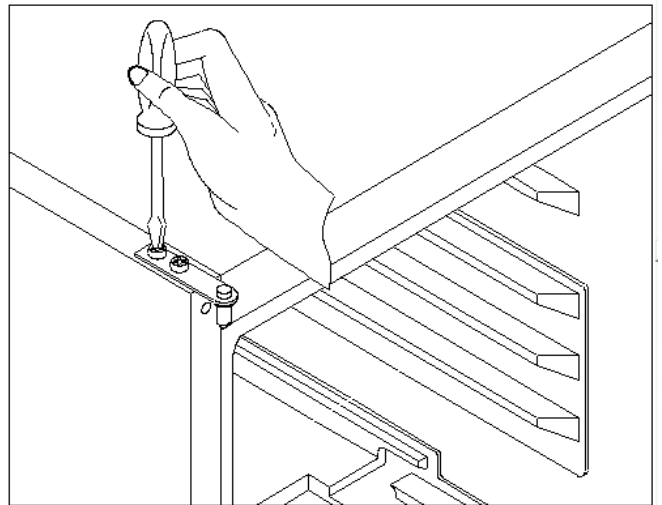
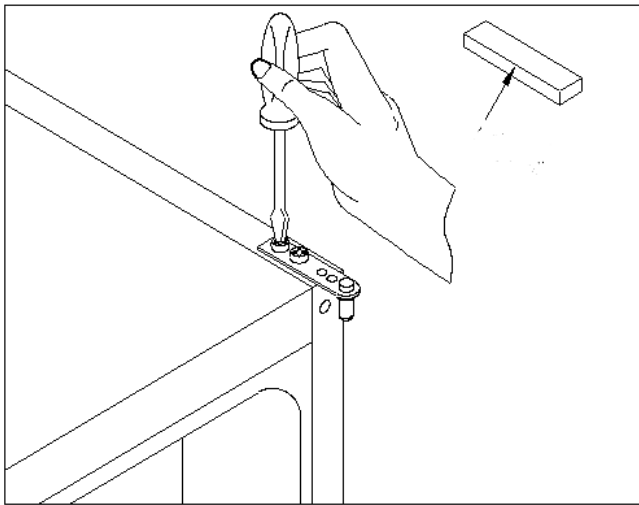


CHANGING THE DOORWAY DIRECTION

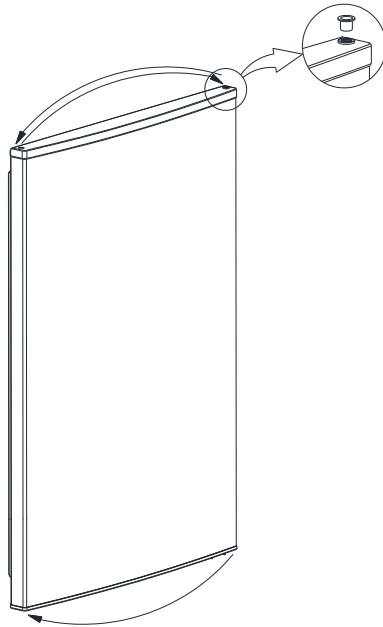
3. Remove the door.



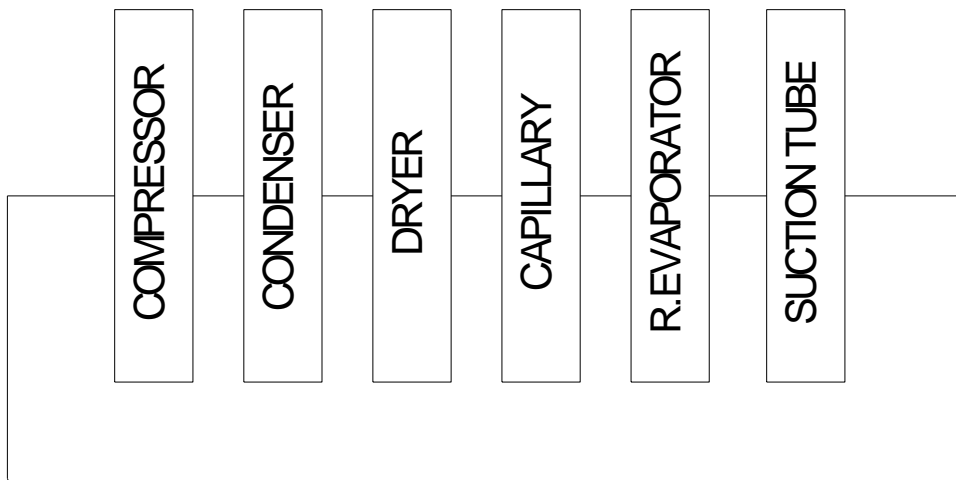
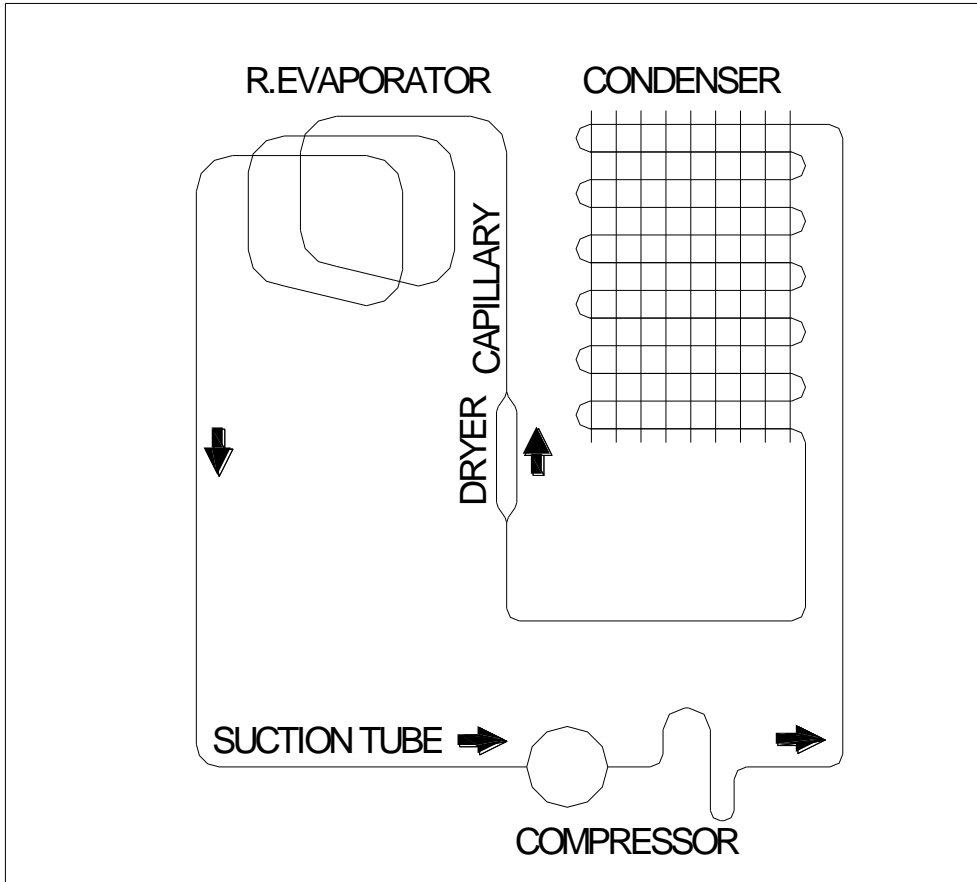
4. Remove the top hinge cover and unscrew the the top hinge and screw the hinge on the left hole of the top panel. Close the top hinge cover.



- 5.** Replace the top bushing and top bushing cap.
Remove the bottom bushing and assemble it to the left side.



- 6.** Assemble the door to the top hinge. (Reverse operation of item 3)
Screw the bottom hinge to the left side.
Finally, screw the leveling foot to right side.



CAUTION: The plug must be pulled out before the mainboard group is removed.

Remove screws which are attached two sides of the thermostat



Take off all cable connection and pull thermostat bulb out



Take off the lamp and rotate the lamp holder to the position at below picture

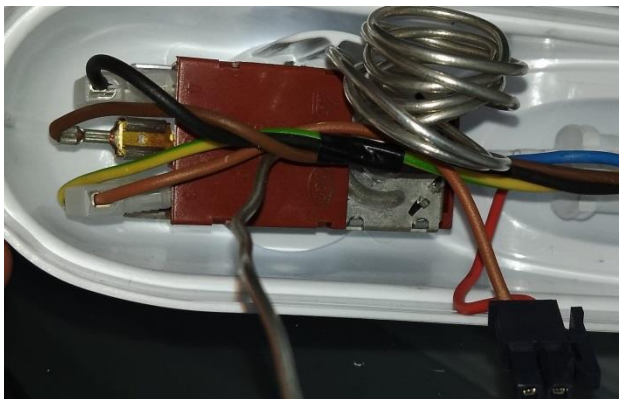


REPLECAMENT OF THERMOSTAT

Firstly take off the button and screw, change the thermostat



Place the thermostat, screws is tightened, insert the button
Place and turn the lamp holder to the position to lock
Connect cables as shown below



Send the thermostat bulb pipe throughout the hole until it end
Plug the black socket to the frige
Close the lamp cover ve screws are tightened which are attached two sides of the thermostat