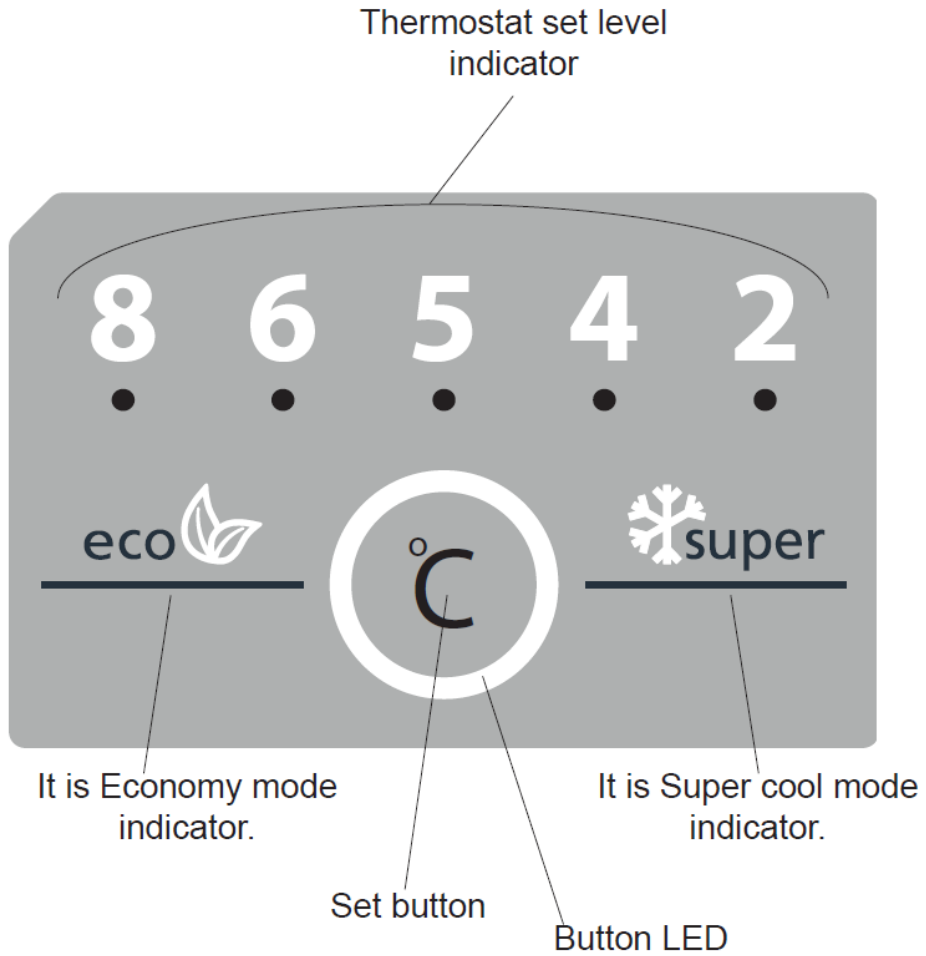
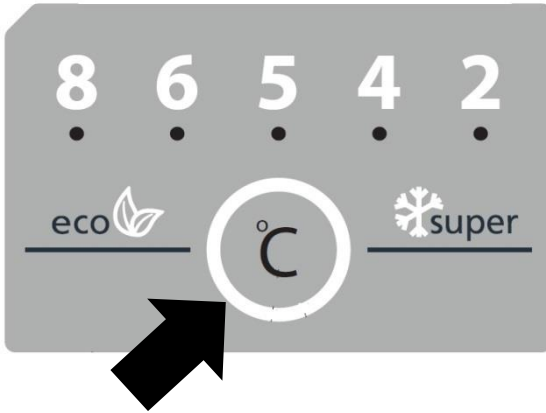


Display and control panel



Super Cooling Mode



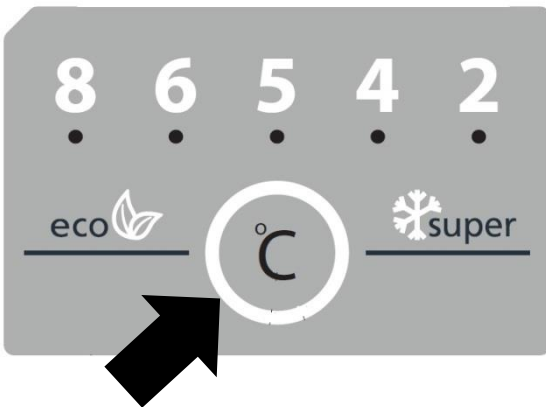
When to use;

- Press the set button until the 'Super' icon blinks
- It will blink 3 times and sound beep beep, then 'Super Cooling' is set.
- During this mode, previously set value will be seen on set screen.

During this mode;

- Set value cannot be changed
- 'Super Cooling' mode is deactivated by setting a different value.

Eco Mode



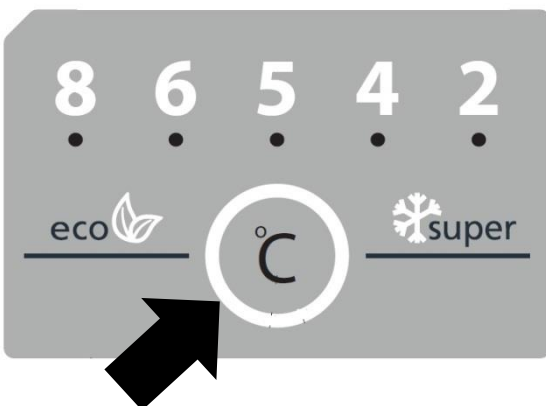
How to use?

- Press the set button until the 'Eco' icon blinks
- It will blink 3 times and sound beep beep, then 'Eco' mode is set

During this mode;

- Set value cannot be changed
- 'Eco' mode is deactivated by setting a different value.

Temperature Setting



How to use?

- Pressing the set button changes in between the set values , 1,2,3,4,5 , eco & super
- Press the set button until the desired set value's icon blinks
- It will blink 3 times and sound beep beep, then it is set
- After the auto end or user's cancellation of 'Super Cooling' and 'Eco' modes, the refrigerator will continue with the last temperature set.



Demo Mode

Entering Demo mode:

- Firstly the power is on , within 1 minute (*see note-1) push mode button for 10 seconds, the appliance will go on “demo mode”.
- All functions can be used to show how they can be changed to the customer.
- During the demo mode ‘super’ LED blinks constantly.

Canceling Demo mode:

For cancelling; Same operation will be used. Pushing mode button for 10 seconds will cancel the demo mode.

When appliance is in Demo mode; if plug is removed or there is an electricity breakdown; demo mode will continue with current settings after user plug into or electricity breakdown finish.

Note:

- 1* A warm refrigerator makes an auto-test in the first 25 secs after the plug-in. Demo mode can be activated after this check.
- If the refrigerator cannot be set to Demo mode within this interval, the appliance must be plugged out and plugged in again to retry.

How to understand if it is in DEMO Mode?

Super LED blinks constantly.

Does DEMO Mode continue after an electricity breakdown, or plug out ?

Yes. Interruption in electricity will not terminate the DEMO Mode. You can only cancel DEMO Mode by pushing Mode button for 10 secs.

Other info:

Refrigerator will not give any service alarm in DEMO Mode.

Will there be a low cooling alarm?

No. In this mode by definition it is not possible to give any alarm.



Resistance Values According To The Temperature Sensor (°C/Ohm Rates)
(For The Freezer Defrost and The Cooler Ambient Sensor)

45 °C/1kΩ	-1 °C/6.2kΩ
35 °C/1.5kΩ	-3 °C/6.8kΩ
30 °C/1.8kΩ	-5 °C/7.5kΩ
25 °C/2.2kΩ	-7 °C/8.2kΩ
19 °C/2.7kΩ	-12 °C/10kΩ
14 °C/3.3kΩ	-15 °C/12kΩ
10 °C/3.9kΩ	-20 °C/15kΩ
5.5 °C/4.7kΩ	-24 °C/18kΩ
1.5 °C/5.6kΩ	-31.5 °C/27kΩ
0 °C/6kΩ	-35.5 °C/33kΩ

Sensor Resistance Values According To The Temperature (°C/Ohm Rates)
(For The Cooler Defrost Sensor)

45 °C/2.15kΩ	-1 °C/17.1kΩ
35 °C/3.26kΩ	-3 °C/19kΩ
30 °C/4.02k6Ω	-5 °C/21.1kΩ
25 °C/5kΩ	-7 °C/23.5kΩ
19 °C/6.53kΩ	-12 °C/30.8kΩ
14 °C/8.23kΩ	-15 °C/36.5kΩ
10 °C/9.95kΩ	-20 °C/48.6kΩ
5.5 °C/12.3kΩ	-24 °C/61.5kΩ
1.5 °C/15kΩ	-31.5 °C/98kΩ
0 °C/16.3kΩ	-35.5 °C/12.6kΩ



NTC Sensor

There are three types of sensors. They are cooler, freezer defrost, cooler defrost sensors. Cooler and freezer defrost sensors have the same features but their cable length is different. The resistance values of all sensors decrease when the temperature values of the sensors increase. For example, the resistance value that is 33 k Ω in the -35.5 $^{\circ}\text{C}$ goes down to 1k Ω in the 45 $^{\circ}\text{C}$ and therefore the ambient temperature should be considered while the sensor is being checked. If the ambient temperature is 25 $^{\circ}\text{C}$, the measuring device shows about 2.2k Ω (if ntc sensor is steady).

When the refrigerator works on first time;

If the cooler compartment defrost sensor and the freezer compartment defrost sensor are hotter than -5 $^{\circ}\text{C}$, the test system works automatically. These below components are tested automatically every 5 seconds.

- ❖ The compressor and freezer fan motor starts and stops after 5 seconds.
- ❖ The defrost resistance starts and stops after 5 seconds.
- ❖ The cooler defrost resistance starts and stops after 5 seconds.
- ❖ The DC Radial Fan starts and stops after 5 seconds.

After these steps, the system waits 5 minutes and then it will switch normal mod.

Freezer Defrost Program

- According to the conditions of usage, the defrost might be activated after the min compressor running time; 8 hours or max total time; 55 hours. Below matters are also effected;
- Consisted ice amount,
- Door open-close,
- Sudden usage variance,
- Cooler sudden temperature rise,

Cooler Defrost Program

The cooler defrost and the freezer defrost are operated parallel except those below. If the cooler defrost sensor does not feel 5 $^{\circ}\text{C}$ three times during a particular period of time.

- Defrost will be activated after the refrigerator works max 9 hours. According to the conditions of usage, the defrost might be activated (due to mentioned those below) after the compressor works min 5 hours.
- Consisted ice amount,
- Door open-close,
- Sudden usage variance,
- Cooler sudden temperature rise,



Freezer Defrosting Time

The Defrost is disabled when the defrost sensor temperature feels 8°C. If defrost time passes 37 minutes, defrost completing temperature will be rise to 15°C.

Cooler Defrosting Time

The cooler defrost and the freezer defrost are operated parallel except those below. The cooler defrost will not work if the freezer defrost stops.

The defrost process stops when the defrost sensor temperature feels 7°C.

Compressor delay: First, the defrost process ends, the system waits 5 minutes, just after that the compressor is active.

In Case of Power Cut

- All regulated parameters and functions are kept in memory when the power cut.
- When the electricity comes, if the defrost sensor temperature is lower than -5 °C the compressor works 5 minutes later. If it is higher than -5 °C.

Other Features

Warnings : The door open warning is active 2 minutes later and it alarms.

Door Direction : It is possible to reverse the door.

Gasket : It is possible to change the gasket.

Unsufficient cooling	Is the appliance too close to wall or heat sources (stove, central heating, oven, cooker etc.)?	It should be placed min 50cm distance from heat sources and min 5 cm from electrical ovens.
	Is the ambient temperature high?	Raise the thermostat value.
	Check whether putting the hot foods in the refrigerator?	Put the foods after get cold.
	Is there any gas leakage in refrigerant system?	Check all welding points in the system.
The foods in the cooler compartment are freezing.	Were the foods placed close to cooling air outlet?	Please do not block air outlets
	Is the cooler thermostat value high ? Is there any hot foods close to the cooler sensor?	Decrease the cooler thermostat value and do not put hot things close to the sensor.
Are there any sweating or icing?	Were the liquid foods in the closed containers?	Put the liquid foods into the closed containers.
	Were the hot foods put into the refrigerator?	Put it into after getting cold.
	Was the refrigerator door opened?	Do not leave the refrigerator door open and do not often open or close.
Abnormal Noise	Is the appliance on the flat surface?	The floor should be straight and balance the refrigerator with the help of the adjustable feet.
	Is the compressor feet loose	Fix it.
	Is the condenser or fan stationary normal?	Fix it.
	Do the capillary tube or all other tubes touch any where?	Fix it.



Entering service mode :

The appliance will enter service mod, if push set button continuously in 10 seconds when it was in ECO mode.

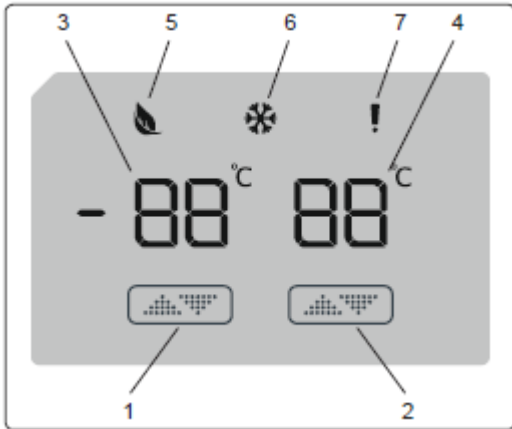
- If there is a faulty situation, error code will be observed on screen. Otherwise nothing will be on the screen.
- Buzzer will sound beep for 0.1 sec. each 5 sec. during the service mode.
- Ring and eko led will blink at the same time during the service mode
- Service function could be activated by pushing «Set» button continuously in 5 seconds

SERVICE FUNCTIONO	
	While display is on service mode, it could be changed among service functions by touching set icon
TOUCHING M (SET) BUTTON ONE TIME.	STARTING MODE
	Buzzer will sound beep
	The number of components which is control, the led is shown at segments of display will blink
TOUCHING M (SET) BUTTON TWO TIMES.	MANUAL DEFROST
	"2" led blink continuously and defrost will start after 3 second s
	Defrost might be finished manually or automatically.
	Defrost might be finished manually by pushing the set button. "2" led goes off and display returns to initial service mode.
	When defrost sensor access 10 degrees defrost finish automaticly

SENSOR	TEMPERATURE	USER MODE REACTION	SERVICE MODE REACTION
(1)Refrigerator	> +50 °C or <-50 °C (sensor is short or open)	Display Ring Leds Blink & Eco Led Blink Buzzer 'beep'	1 Led ON
(2)Defrost			2 Led ON
(3)Serpentine sensor			3 Led ON
Breakdown of (1) and (2)			1 and 2 Led ON
Breakdown of (1) and (3)			1 and 3 Led ON
Breakdown of (2) and (3)			2 and 3 Led ON
Breakdown of (1) and (2) and (3)			1, 2 and 3 Led ON

Component defect on display

DEFECT TYPE	DETAILS	USER MODE REACTION	SERVICE MODE REACTION
Compressor Defect	Defrost sensor temp > -10°C (D sensor temp.unchanges for 10 min.continuous compressor run)	Display Ring Leds Blink & Eco Led Blink Buzzer 'beep'	4 Led ON
Defrost Heater Defect	Defrost sensor < 0°C		5 Led ON



Using the Control Panel

1. Enables the setting of the freezer to be modified and super freeze mode to be activated if desired.
2. Enables the setting of the cooler to be modified and super cool mode to be activated if desired.
3. Freezer set value screen.
4. Cooler set value screen.
5. Economy mode symbol.
6. Super freeze symbol.
7. Alarm symbol.

1.2 Operating your Fridge Freezer

Once you have plugged in the product, all symbols will be displayed for 2 seconds and the initial values will be shown as -18 °C on the freezer adjustment indicator, and +4 °C on the fridge adjustment indicator.

1.2.1 Freezer Temperature Settings

- The initial temperature value for the freezer setting indicator is -18 °C.
 - Press the freezer set button once.
- When you first press the button, the previous value will blink on the screen.
- Whenever you press the same button, a lower temperature will be set (-16 °C, -18 °C, -20 °C, -22 °C or -24 °C).
 - If you continue to press the button, it will restart from -16 °C.

NOTE: Eco mode gets activated automatically when the temperature of the freezer compartment is set to -18°C.



1.2.2 Cooler Temperature Settings

- The initial temperature value for the cooler setting indicator is +4 °C.
- Press the cooler button once.
- Whenever you press the button, a lower temperature will be set (+8 °C, +6 °C, +5 °C, +4 °C, or +2 °C).
- If you continue to press the button, it will restart from +8 °C.

1.2.3 Super Freeze Mode

Purpose

- To freeze a large quantity of food that cannot fit on the fast freeze shelf.
- To freeze prepared foods.
- To freeze fresh food quickly to retain freshness.

How to use

To enable the super freeze mode, press and hold the freezer temperature setting button for 3 seconds. Once the super freeze mode has been set, the super freeze symbol on the indicator will be lit and the machine will beep to confirm the mode has been switched on.





During Super Freeze Mode:

- The temperature of the Cooler may be adjusted. In this case, Super Freeze mode will continue.
- Economy mode cannot be selected.
- Super Freeze mode can be cancelled in the same way it is selected.

Notes:

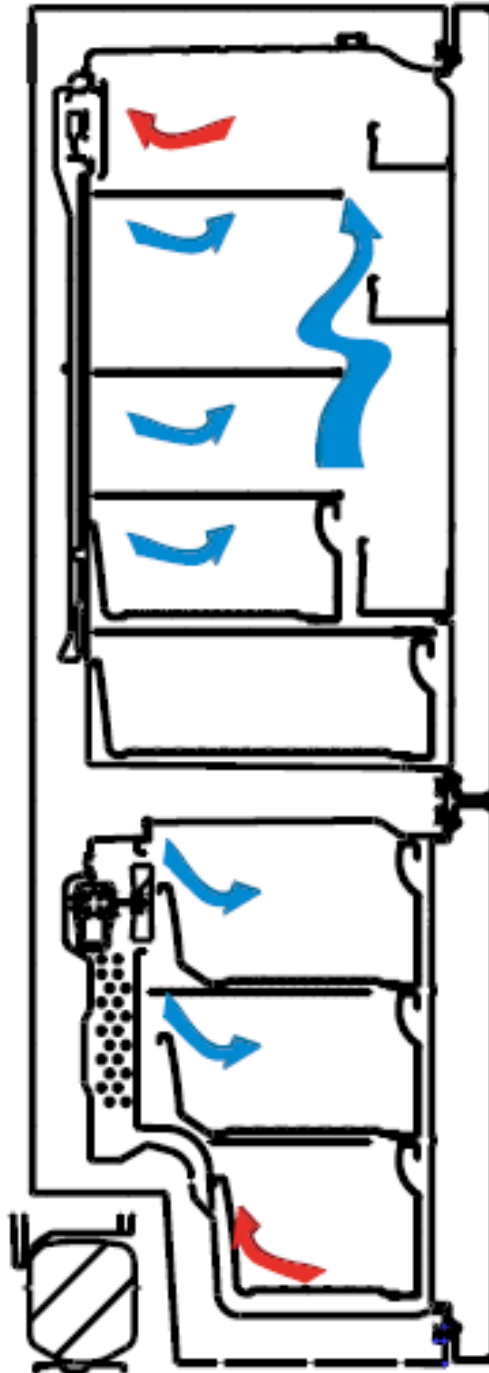
- The maximum amount of fresh food (in kilograms) that can be frozen within 24 hours is shown on the appliance label.
- For optimal appliance performance in maximum freezer capacity, activate super freeze mode 3 hours before you put fresh food into the freezer.

Super freeze mode will automatically cancel after 24 hours or when the freezer sensor temperature drops below -32 °C.

Freezer Compartment	Cooler Compartment	Remarks
-18 °C	4 °C	For regular use and best performance.
-20 °C, -22 °C or -24 °C	4 °C	Recommended when environmental temperature exceeds 30 °C.
Super Freeze mode	4 °C	Must be used when you wish to freeze food in a short period of time.
-18 °C, -20 °C, -22 °C or -24 °C	2 °C	These temperature settings must be used when the environmental temperature is high or if you think the refrigerator compartment is not cool enough because the door is being opened frequently.

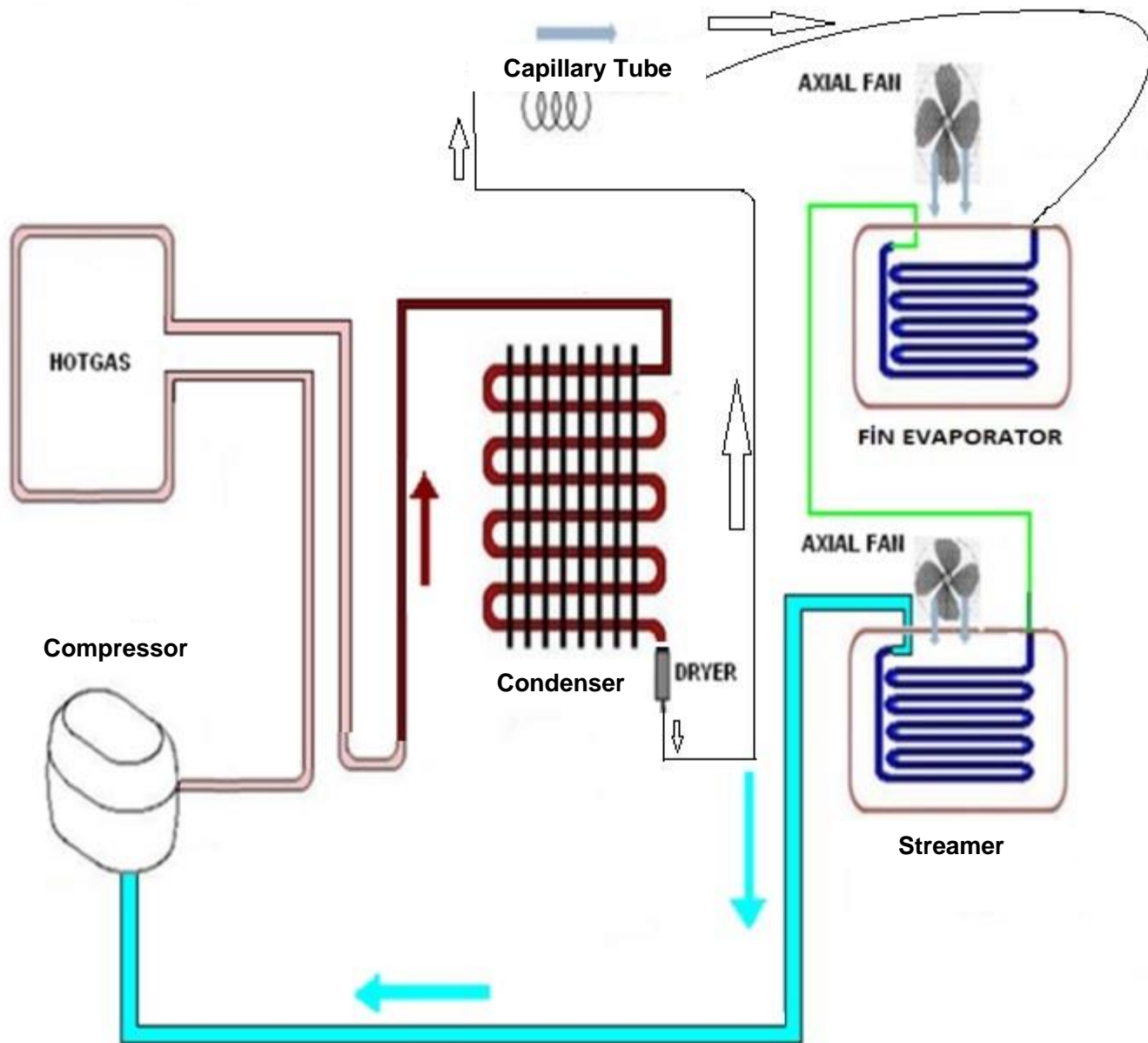
Demo mode:

Firstly the power is on, secondly within 1 minute user have to set the cooler 2 and push cooler temperature button for 10 seconds. Then economy, super and economy symbol will blink during the service mode. All functions can be adjusted to show how they are adjusted to the customer.



Cutaway view: Air Flow Direction

-  **Blown : Cold Air**
-  **Returned: Hot Air**



This model is double controlled product without any valve. When both cooler & freezer set by user :
Mainboard controls both the cooler sensor & freezer sensor. When cooler part reach requested value, if the freezer part haven't reach the requested level; compressor continues to run.
While freezer continue to cool down, with the help of the RDH (Ref. Defrost Heater), cooler will stay at constant value. When the freezer reach the requested value both compressor & RDH will be stop.

Resistance Values According To The Temperature Sensor (°C/Ohm Rates)

(For The Freezer Defrost and The Cooler Ambient Sensor)

45 °C/1kΩ	-1 °C/6.2kΩ
35 °C/1.5kΩ	-3 °C/6.8kΩ
30 °C/1.8kΩ	-5 °C/7.5kΩ
25 °C/2.2kΩ	-7 °C/8.2kΩ
19 °C/2.7kΩ	-12 °C/10kΩ
14 °C/3.3kΩ	-15 °C/12kΩ
10 °C/3.9kΩ	-20 °C/15kΩ
5.5 °C/4.7kΩ	-24 °C/18kΩ
1.5 °C/5.6kΩ	-31.5 °C/27kΩ
0 °C/6kΩ	-35.5 °C/33kΩ

Sensor Resistance Values According To The Temperature (°C/Ohm Rates)

(For The Cooler Defrost Sensor)

45 °C/2.15kΩ	-1 °C/17.1kΩ
35 °C/3.26kΩ	-3 °C/19kΩ
30 °C/4.02k5Ω	-5 °C/21.1kΩ
25 °C/5kΩ	-7 °C/23.5kΩ
19 °C/6.53kΩ	-12 °C/30.8kΩ
14 °C/8.23kΩ	-15 °C/36.5kΩ
10 °C/9.95kΩ	-20 °C/48.6kΩ
5.5 °C/12.3kΩ	-24 °C/61.5kΩ
1.5 °C/15kΩ	-31.5 °C/98kΩ
0 °C/16.3kΩ	-35.5 °C/12.6kΩ



Entering service mode :

After the cooler temperature is set to 8, push cooler temperature button for 10 seconds.

- If there is a faulty situation, error code will be observed on screen. Otherwise nothing will be on the screen.
- Buzzer will sound beep for 0.1 sec. each 5 sec. during service mode.
- Alarm icon will blink

In the Service mode;

- Starting up by pressing the cooler set button until 1 led lights up. (economy symbol will light)

The below components are checked;

- Compressor
- Defrost heater
- Balance heater
- Cooler Fan
- Freezer Fan
- Condanser Fan

- Manual defrost is done by pressing the cooler set button 2 times. (super symbol will light)
6 Led lights continuously and manual defrost started. When the defrost sensor 10 C, manual defrost ends.

Mode can be canceled manually or automatically

Manual canceling; will be done by pushing REF button.

If manual canceling of this function is not performed in 30 min. service mode will be canceled.

Appliance will check if defrost is finished in this 30min. If YES, appliance will go on from previous set values. But if defrost is not finished , appliance will go on defrost till it finishes and then go on from previous set values.

- When the cooler set button is pressed 3 times, the instantaneous values of the sensor values can be read. (super and economy symbols will burn together) Negative temperature values will be indicated by blink.

THE VALUE OF THE NUMBER 1 SENSOR IS DISPLAYED IN THE FIRST TIME OF FUNCTION.

THE PREVIEW OF THE NEXT SENSOR IS SHOWED WHEN PRINTED IN ANY FREEZER BUTTON.

COOLER SENSOR INSTALLATION TEMPERATURE IS SHOWN IN FREEZER SET VALUE, "1" WRITER IN COOLER VALUE INDICATOR.

FREEZER SENSOR INSTALLATION TEMPERATURE IS SHOWN IN FREEZER SET VALUE, "2" WRITER IN COOLER VALUE INDICATOR

DEFROST SENSOR INSTALLATION TEMPERATURE IS SHOWN IN FREEZER SET VALUE, "3" WRITER IN THE COOLER VALUE INDICATOR

ATTENTION OF THE SENSOR AT THE SIZE OF FREEZER SET VALUE IS SHOWN, THE COOLER VALUE INDICATOR "4" WRITER

SERPANTINE SENSOR HEAT TEMPERATURE IS SHOWN IN FREEZER SET VALUE SEGMENT, "5" WRITER IN COOLER VALUE INDICATOR

WHEN PRIMING THE 5TH BEFORE PRINTING FREEZER BUTTON

MODE OF THE MODE OF THE COOLER BUTTON.



To cancel Service Mode : You can use same method as entering the Service Mode. After the cooler temperature is set to 8, push cooler temperature button for 10 seconds.

SENSOR	FREEZER SET VALUE	COOLER SET VALUE
(1) Freezer (Short-Open)	E	01
(2) Refrigerator (Short-Open)	E	02
(3) Defrost (Short-Open)	E	03
(4) AT sensor	E	04
(5) RDH Sensor	E	05

Component defect on display

DEFECT TYPE	FREEZER SET VALUE	COOLER SET VALUE
Compressor Defect	E	06
Defrost Heater Defect	E	07

Low voltage error on display

DEFECT TYPE	FREEZER SET VALUE	COOLER SET VALUE
Low voltage	E	08

Cooling error on display

DEFECT TYPE	FREEZER SET VALUE	COOLER SET VALUE
LF	E	09
LC	E	10
HC	E	11

NTC Sensor

There are three types of sensors. They are cooler, freezer defrost, cooler defrost sensors. Cooler and freezer defrost sensors have the same features but their cable length is different. The resistance values of all sensors decrease when the temperature values of the sensors increase. For example, the resistance value that is 33 k Ω in the -35.5 $^{\circ}\text{C}$ goes down to 1k Ω in the 45 $^{\circ}\text{C}$ and therefore the ambient temperature should be considered while the sensor is being checked. If the ambient temperature is 25 $^{\circ}\text{C}$, the measuring device shows about 2.2k Ω (if ntc sensor is steady).

When the refrigerator works on first time;

If the cooler compartment defrost sensor and the freezer compartment defrost sensor are hotter than -5 $^{\circ}\text{C}$, the test system works automatically. These below components are tested automatically every 5 seconds.

- ❖ The compressor and freezer fan motor starts and stops after 5 seconds.
- ❖ The defrost resistance starts and stops after 5 seconds.
- ❖ The cooler defrost resistance starts and stops after 5 seconds.
- ❖ The DC Radial Fan starts and stops after 5 seconds.

After these steps, the system waits 5 minutes and then it will switch normal mod.

Freezer Defrost Program

- According to the conditions of usage, the defrost might be activated after the min compressor running time; 8 hours or max total time; 55 hours. Below matters are also effected;
- Consisted ice amount,
- Door open-close,
- Sudden usage variance,
- Cooler sudden temperature rise,

Cooler Defrost Program

The cooler defrost and the freezer defrost are operated parallel except those below. If the cooler defrost sensor does not feel 5 $^{\circ}\text{C}$ three times during a particular period of time.

- Defrost will be activated after the refrigerator works max 9 hours. According to the conditions of usage, the defrost might be activated (due to mentioned those below) after the compressor works min 5 hours.
- Consisted ice amount,
- Door open-close,
- Sudden usage variance,
- Cooler sudden temperature rise,

Freezer Defrosting Time

The Defrost is disabled when the defrost sensor temperature feels 8°C. If defrost time passes 37 minutes, defrost completing temperature will be rise to 15°C.

Cooler Defrosting Time

The cooler defrost and the freezer defrost are operated parallel except those below. The cooler defrost will not work if the freezer defrost stops.

The defrost process stops when the defrost sensor temperature feels 7°C. At the low ambient temperature or when the compressor stops; to balance, defrost stops when the defrost sensor temperature feels 15°C. But if the defrost time or the compressor stopping time goes over 6 hours, the resistance will be stopped.

Compressor delay: First, the defrost process ends, the system waits 5 minutes, just after that the compressor is active.

In Case of Power Cut

- All regulated parameters and functions are kept in memory when the power cut.
- When the electricity comes, if the defrost sensor temperature is lower than -5 °C the compressor works 5 minutes later. If it is higher than -5 °C.

Other Features

Warnings : The door open warning is active 2 minutes later and it alarms.

Door Direction : It is possible to reverse the door.

Gasket : It is possible to change the gasket.

Unsufficient cooling	Is the appliance too close to wall or heat sources (stove, central heating, oven, cooker etc.)?	It should be placed min 50cm distance from heat sources and min 5 cm from electrical ovens.
	Is the ambient temperature high?	Raise the thermostat value.
	Check whether putting the hot foods in the refrigerator?	Put the foods after get cold.
	Is there any gas leakage in refrigerant system?	Check all welding points in the system.
The foods in the cooler compartment are freezing.	Were the foods placed close to cooling air outlet?	Please do not block air outlets
	Is the cooler thermostat value high ? Is there any hot foods close to the cooler sensor?	Decrease the cooler thermostat value and do not put hot things close to the sensor.
Are there any sweating or icing?	Were the liquid foods in the closed containers?	Put the liquid foods into the closed containers.
	Were the hot foods put into the refrigerator?	Put it into after getting cold.
	Was the refrigerator door opened?	Do not leave the refrigerator door open and do not often open or close.
Abnormal Noise	Is the appliance on the flat surface?	The floor should be straight and balance the refrigerator with the help of the adjustable feet.
	Is the compressor feet loose	Fix it.
	Is the condenser or fan stationary normal?	Fix it.
	Do the capillary tube or all other tubes touch any where?	Fix it.



During Super Freeze Mode:

- The temperature of the Cooler may be adjusted. In this case, Super Freeze mode will continue.
- Economy mode cannot be selected.
- Super Freeze mode can be cancelled in the same way it is selected.

Notes:

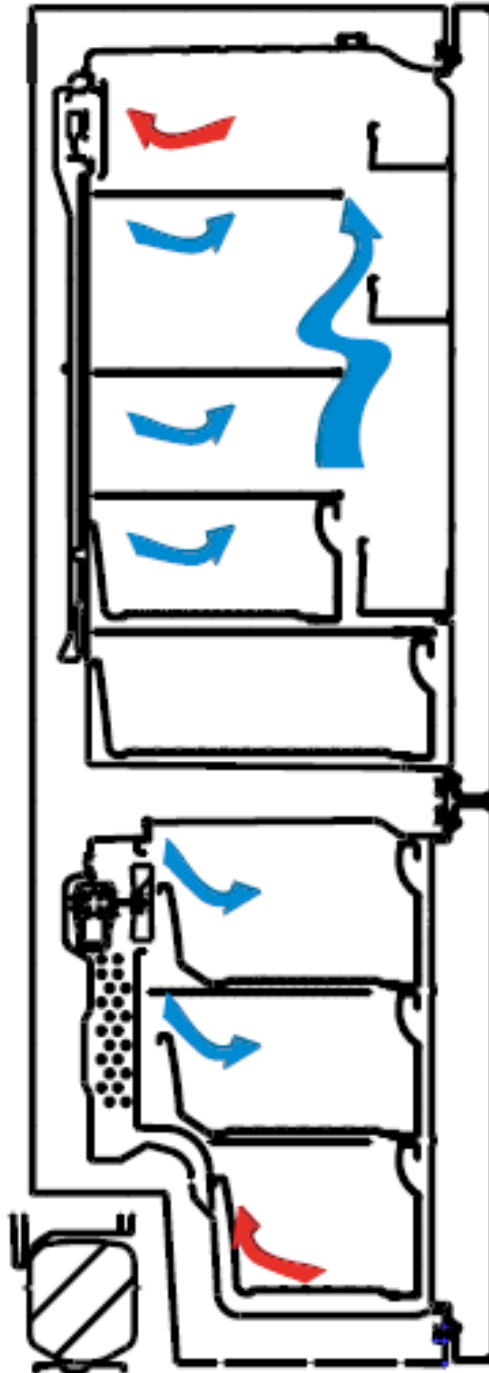
- The maximum amount of fresh food (in kilograms) that can be frozen within 24 hours is shown on the appliance label.
- For optimal appliance performance in maximum freezer capacity, activate super freeze mode 3 hours before you put fresh food into the freezer.

Super freeze mode will automatically cancel after 24 hours or when the freezer sensor temperature drops below -32 °C.

Freezer Compartment	Cooler Compartment	Remarks
-18 °C	4 °C	For regular use and best performance.
-20 °C, -22 °C or -24 °C	4 °C	Recommended when environmental temperature exceeds 30 °C.
Super Freeze mode	4 °C	Must be used when you wish to freeze food in a short period of time.
-18 °C, -20 °C, -22 °C or -24 °C	2 °C	These temperature settings must be used when the environmental temperature is high or if you think the refrigerator compartment is not cool enough because the door is being opened frequently.

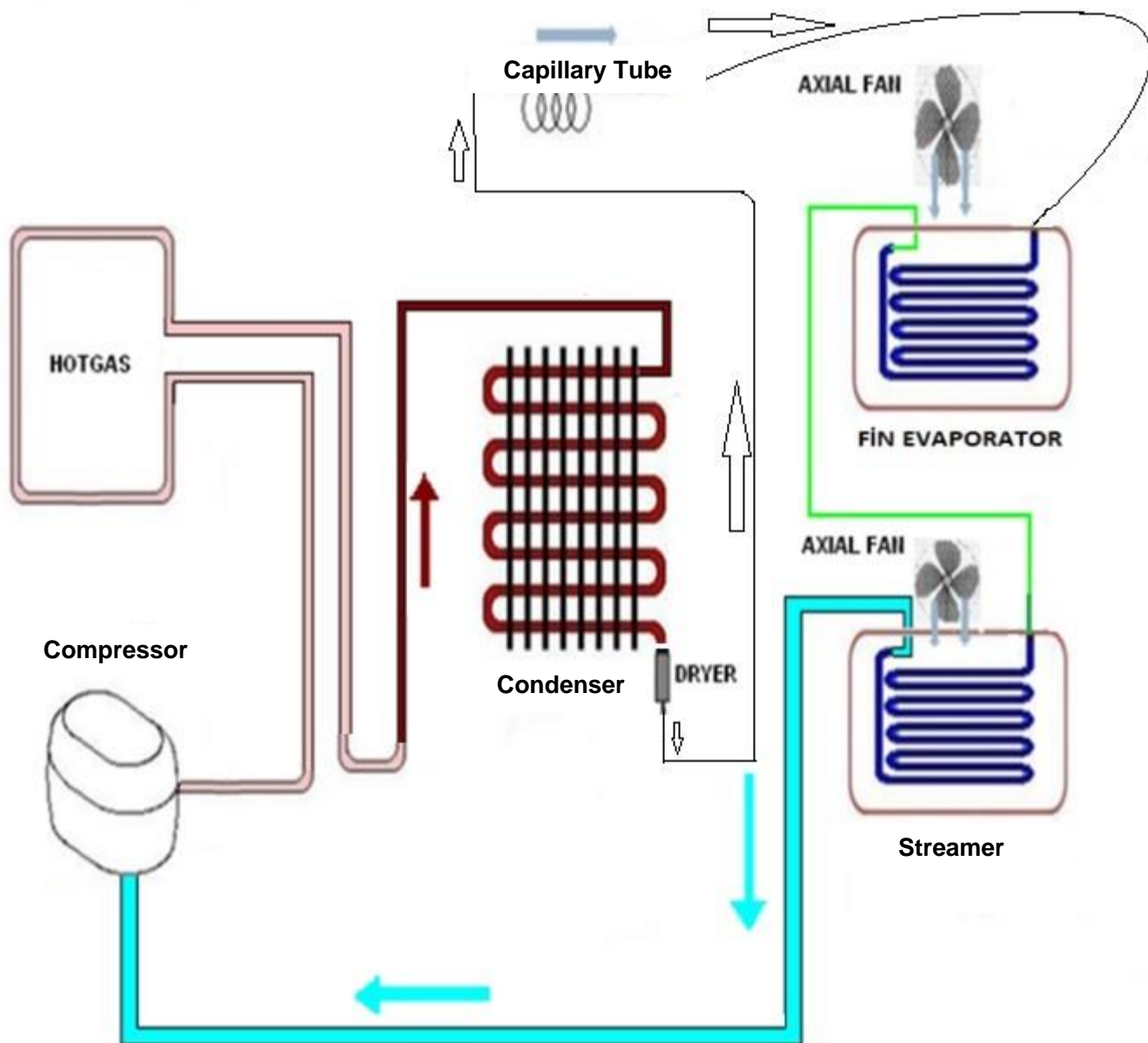
Demo mode:

Firstly the power is on, secondly within 1 minute user have to set the cooler 2 and push cooler temperature button for 10 seconds. Then economy, super and economy symbol will blink during the service mode. All functions can be adjusted to show how they are adjusted to the customer.



Cutaway view: Air Flow Direction

-  **Blown : Cold Air**
-  **Returned: Hot Air**



This model is double controlled product without any valve. When both cooler & freezer set by user :
Mainboard controls both the cooler sensor & freezer sensor. When cooler part reach requested value, if the freezer part haven't reach the requested level; compressor continues to run.
While freezer continue to cool down, with the help of the RDH (Ref. Defrost Heater), cooler will stay at constant value. When the freezer reach the requested value both compressor & RDH will be stop.

Resistance Values According To The Temperature Sensor (°C/Ohm Rates)

(For The Freezer Defrost and The Cooler Ambient Sensor)

45 °C/1kΩ	-1 °C/6.2kΩ
35 °C/1.5kΩ	-3 °C/6.8kΩ
30 °C/1.8kΩ	-5 °C/7.5kΩ
25 °C/2.2kΩ	-7 °C/8.2kΩ
19 °C/2.7kΩ	-12 °C/10kΩ
14 °C/3.3kΩ	-15 °C/12kΩ
10 °C/3.9kΩ	-20 °C/15kΩ
5.5 °C/4.7kΩ	-24 °C/18kΩ
1.5 °C/5.6kΩ	-31.5 °C/27kΩ
0 °C/6kΩ	-35.5 °C/33kΩ

Sensor Resistance Values According To The Temperature (°C/Ohm Rates)

(For The Cooler Defrost Sensor)

45 °C/2.15kΩ	-1 °C/17.1kΩ
35 °C/3.26kΩ	-3 °C/19kΩ
30 °C/4.02k5Ω	-5 °C/21.1kΩ
25 °C/5kΩ	-7 °C/23.5kΩ
19 °C/6.53kΩ	-12 °C/30.8kΩ
14 °C/8.23kΩ	-15 °C/36.5kΩ
10 °C/9.95kΩ	-20 °C/48.6kΩ
5.5 °C/12.3kΩ	-24 °C/61.5kΩ
1.5 °C/15kΩ	-31.5 °C/98kΩ
0 °C/16.3kΩ	-35.5 °C/12.6kΩ



353-373-383 DISPLAY INTERNE

Mode de service

MANUEL DE SERVICE

Entering service mode :

After the cooler temperature is set to 8, push cooler temperature button for 10 seconds.

- If there is a faulty situation, error code will be observed on screen. Otherwise nothing will be on the screen.
- Buzzer will sound beep for 0.1 sec. each 5 sec. during service mode.
- Alarm icon will blink

In the Service mode;

- Starting up by pressing the cooler set button until 1 led lights up. (economy symbol will light)

The below components are checked;

Compressor
Defrost heater
Balance heater
Cooler Fan
Freezer Fan
Condanser Fan

- Manual defrost is done by pressing the cooler set button 2 times. (super symbol will light)
6 Led lights continuously and manual defrost started. When the defrost sensor 10 C, manual defrost ends.

Mode can be canceled manually or automatically

Manual canceling; will be done by pushing REF button.

If manual canceling of this function is not performed in 30 min. service mode will be canceled.

Appliance will check if defrost is finished in this 30min. If YES, appliance will go on from previous set values. But if defrost is not finished, appliance will go on defrost till it finishes and then go on from previous set values.

- When the cooler set button is pressed 3 times, the instantaneous values of the sensor values can be read. (super and economy symbols will burn together) Negative temperature values will be indicated by blink.

THE VALUE OF THE NUMBER 1 SENSOR IS DISPLAYED IN THE FIRST TIME OF FUNCTION.

THE PREVIEW OF THE NEXT SENSOR IS SHOWED WHEN PRINTED IN ANY FREEZER BUTTON.

COOLER SENSOR INSTALLATION TEMPERATURE IS SHOWN IN FREEZER SET VALUE, "1" WRITER IN COOLER VALUE INDICATOR.

FREEZER SENSOR INSTALLATION TEMPERATURE IS SHOWN IN FREEZER SET VALUE, "2" WRITER IN COOLER VALUE INDICATOR

DEFROST SENSOR INSTALLATION TEMPERATURE IS SHOWN IN FREEZER SET VALUE, "3" WRITER IN THE COOLER VALUE INDICATOR

ATTENTION OF THE SENSOR AT THE SIZE OF FREEZER SET VALUE IS SHOWN, THE COOLER VALUE INDICATOR "4" WRITER

SERPANTINE SENSOR HEAT TEMPERATURE IS SHOWN IN FREEZER SET VALUE SEGMENT, "5" WRITER IN COOLER VALUE INDICATOR

WHEN PRIMING THE 5TH BEFORE PRINTING FREEZER BUTTON

MODE OF THE MODE OF THE COOLER BUTTON.



353-373-383 DISPLAY INTERNE

MANUEL DE SERVICE

Mode de service

To cancel Service Mode : You can use same method as entering the Service Mode. After the cooler temperature is set to 8, push cooler temperature button for 10 seconds.

SENSOR	FREEZER SET VALUE	COOLER SET VALUE
(1) Freezer (Short-Open)	E	01
(2) Refrigerator (Short-Open)	E	02
(3) Defrost (Short-Open)	E	03
(4) AT sensor	E	04
(5) RDH Sensor	E	05

Component defect on display

DEFECT TYPE	FREEZER SET VALUE	COOLER SET VALUE
Compressor Defect	E	06
Defrost Heater Defect	E	07

Low voltage error on display

DEFECT TYPE	FREEZER SET VALUE	COOLER SET VALUE
Low voltage	E	08

Cooling error on display

DEFECT TYPE	FREEZER SET VALUE	COOLER SET VALUE
LF	E	09
LC	E	10
HC	E	11

NTC Sensor

There are three types of sensors. They are cooler, freezer defrost, cooler defrost sensors. Cooler and freezer defrost sensors have the same features but their cable length is different. The resistance values of all sensors decrease when the temperature values of the sensors increase. For example, the resistance value that is 33 k Ω in the -35.5 $^{\circ}\text{C}$ goes down to 1k Ω in the 45 $^{\circ}\text{C}$ and therefore the ambient temperature should be considered while the sensor is being checked. If the ambient temperature is 25 $^{\circ}\text{C}$, the measuring device shows about 2.2k Ω (if ntc sensor is steady).

When the refrigerator works on first time;

If the cooler compartment defrost sensor and the freezer compartment defrost sensor are hotter than -5 $^{\circ}\text{C}$, the test system works automatically. These below components are tested automatically every 5 seconds.

- ❖ The compressor and freezer fan motor starts and stops after 5 seconds.
- ❖ The defrost resistance starts and stops after 5 seconds.
- ❖ The cooler defrost resistance starts and stops after 5 seconds.
- ❖ The DC Radial Fan starts and stops after 5 seconds.

After these steps, the system waits 5 minutes and then it will switch normal mod.

Freezer Defrost Program

- According to the conditions of usage, the defrost might be activated after the min compressor running time; 8 hours or max total time; 55 hours. Below matters are also effected;
- Consisted ice amount,
- Door open-close,
- Sudden usage variance,
- Cooler sudden temperature rise,

Cooler Defrost Program

The cooler defrost and the freezer defrost are operated parallel except those below. If the cooler defrost sensor does not feel 5 $^{\circ}\text{C}$ three times during a particular period of time.

- Defrost will be activated after the refrigerator works max 9 hours. According to the conditions of usage, the defrost might be activated (due to mentioned those below) after the compressor works min 5 hours.
- Consisted ice amount,
- Door open-close,
- Sudden usage variance,
- Cooler sudden temperature rise,

Freezer Defrosting Time

The Defrost is disabled when the defrost sensor temperature feels 8°C. If defrost time passes 37 minutes, defrost completing temperature will be rise to 15°C.

Cooler Defrosting Time

The cooler defrost and the freezer defrost are operated parallel except those below. The cooler defrost will not work if the freezer defrost stops.

The defrost process stops when the defrost sensor temperature feels 7°C. At the low ambient temperature or when the compressor stops; to balance, defrost stops when the defrost sensor temperature feels 15°C. But if the defrost time or the compressor stopping time goes over 6 hours, the resistance will be stopped.

Compressor delay: First, the defrost process ends, the system waits 5 minutes, just after that the compressor is active.

In Case of Power Cut

- All regulated parameters and functions are kept in memory when the power cut.
- When the electricity comes, if the defrost sensor temperature is lower than -5 °C the compressor works 5 minutes later. If it is higher than -5 °C.

Other Features

Warnings : The door open warning is active 2 minutes later and it alarms.

Door Direction : It is possible to reverse the door.

Gasket : It is possible to change the gasket.

Unsufficient cooling	Is the appliance too close to wall or heat sources (stove, central heating, oven, cooker etc.)?	It should be placed min 50cm distance from heat sources and min 5 cm from electrical ovens.
	Is the ambient temperature high?	Raise the thermostat value.
	Check whether putting the hot foods in the refrigerator?	Put the foods after get cold.
	Is there any gas leakage in refrigerant system?	Check all welding points in the system.
The foods in the cooler compartment are freezing.	Were the foods placed close to cooling air outlet?	Please do not block air outlets
	Is the cooler thermostat value high ? Is there any hot foods close to the cooler sensor?	Decrease the cooler thermostat value and do not put hot things close to the sensor.
Are there any sweating or icing?	Were the liquid foods in the closed containers?	Put the liquid foods into the closed containers.
	Were the hot foods put into the refrigerator?	Put it into after getting cold.
	Was the refrigerator door opened?	Do not leave the refrigerator door open and do not often open or close.
Abnormal Noise	Is the appliance on the flat surface?	The floor should be straight and balance the refrigerator with the help of the adjustable feet.
	Is the compressor feet loose	Fix it.
	Is the condenser or fan stationary normal?	Fix it.
	Do the capillary tube or all other tubes touch any where?	Fix it.