



- 1.Lamp Cover
- 2.Fridge adjusted temperature indicator
- 3.Fridge temperature set button

Operating your Fridge Lighting (If available)

When the product is plugged in for the first time, the interior lights may turn on 1 minute late due to opening tests.

Fridge Temperature Set Button

This button allows setting temperature of the fridge. In order to set values for fridge partition, press this button. Use this button also to activate super cooling mode.

Super Cooling Mode

When would it be used?

- To cooling huge quantities of food.
- To cooling fast food.
- To cooling food quickly.
- To store seasonal food for a long time.

How to use?

- Hold down temperature set button for 5 seconds to activate super cooling mode when set is MAX.
- All lights will be lighted constantly.

During this mode:

If you hold down set button for 5 seconds, super cooling mode will be deactivated. The super cooling mode will be cancel automatically after 5 hours.

Fridge Temperature Settings

- Every time you press the button, the setting temperature will increase. (Min,Eco, Max).
- Settings display and you do not press any button within the following 3 seconds.



327 – ELID



Display and control panel

Stand-By Mode

How to Activate?

Hold down set button for 5 seconds when it is set for "Min". All leds are blink three times.

How It Works?

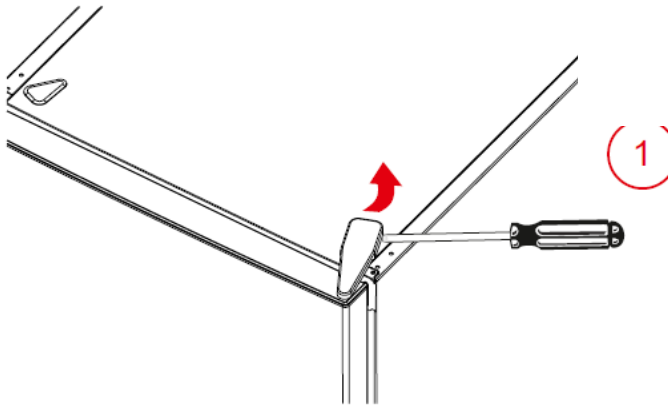
In stand-by mode; all components will be disabled. If user push set button while in stand-by mode, all leds will blink three times to show stand-by mode is active.

How To Deactivate ?

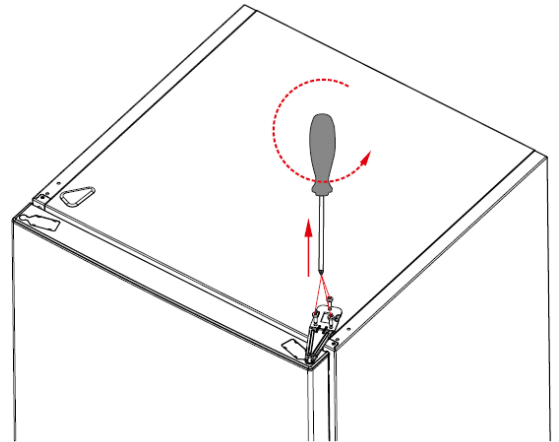
Push and hold set button until display returns to normal working.

Reversing The Door

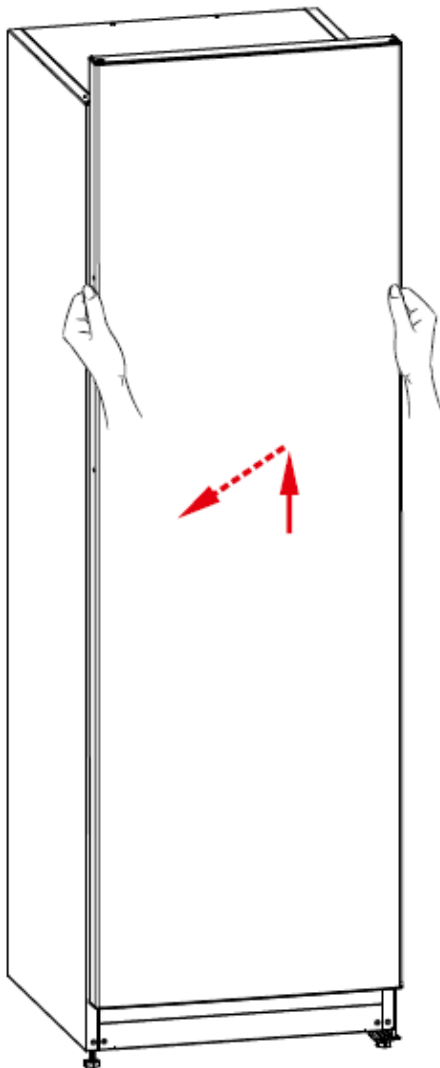
Hold the top hinge cover and remove it toward that direction.



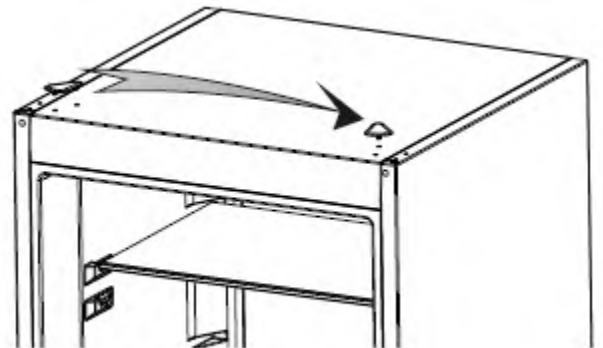
Unscrew the screws fixing the top hinge.



Displace the door.

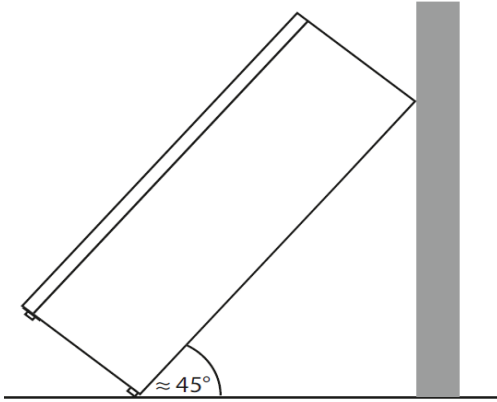


Replace the top hinge cover and hinge cap.

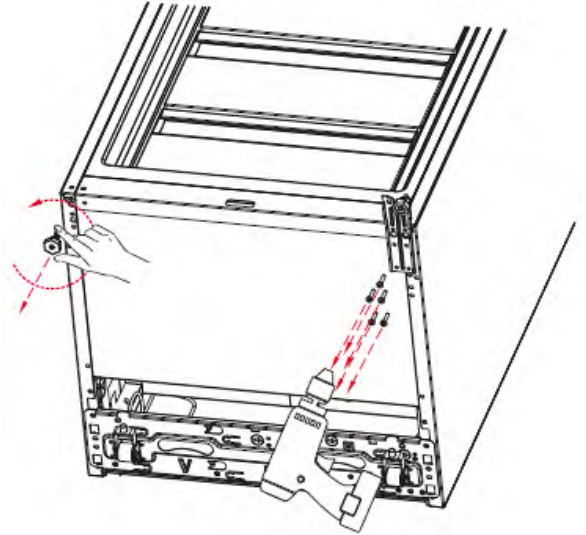


Reversing The Door

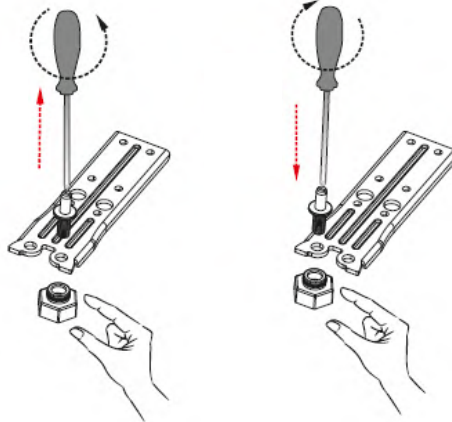
Tilt the cabinet back.



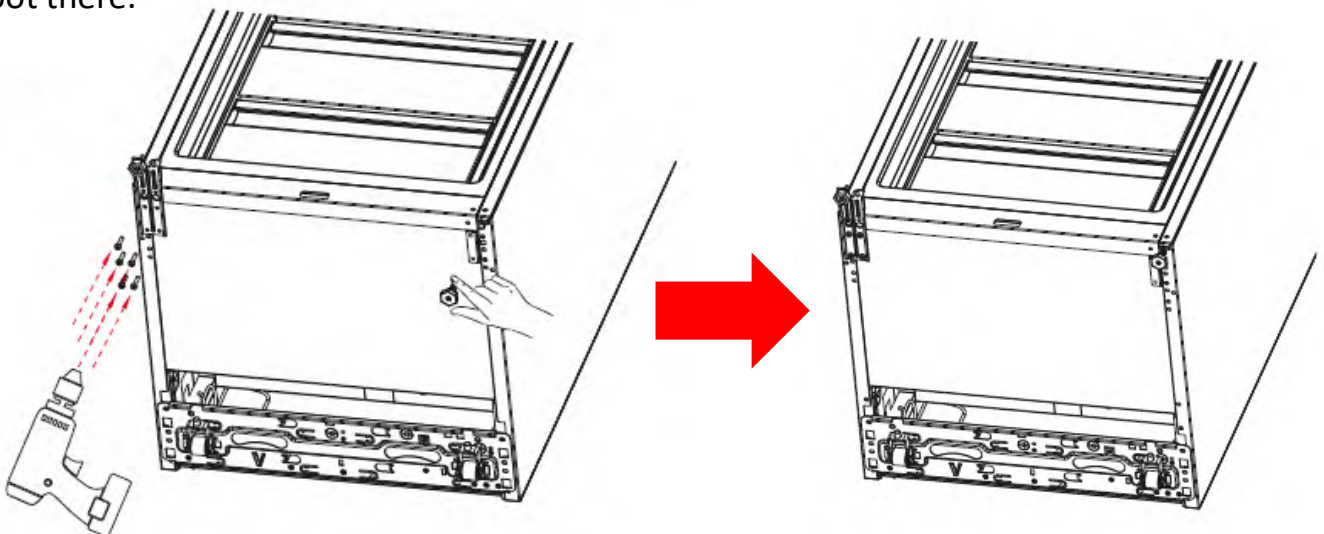
Unscrew the bottom hinge screws.
Unscrew the adjustable foot.



Unscrew the adjustable foot and
the bottom hinge pin and screw it to
other hole.

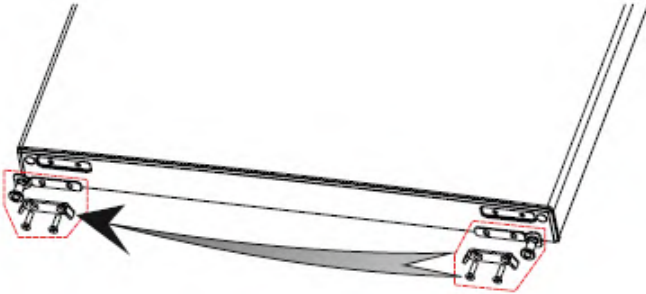


Screw the bottom hinge to the left bottom side of refrigerator. Screw the adjustable
foot there.

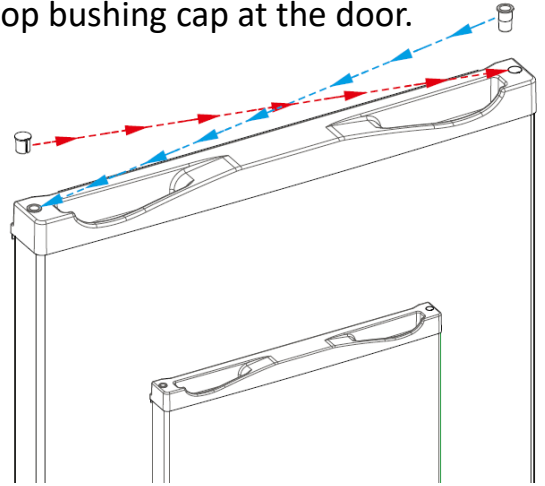


Reversing The Door

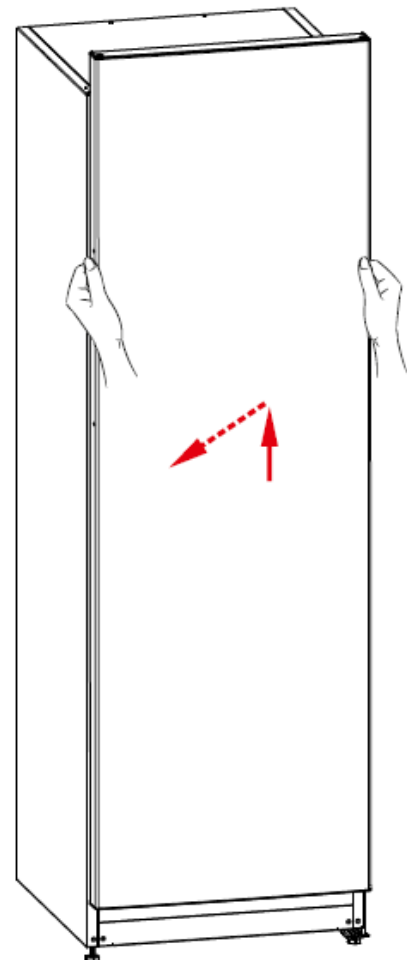
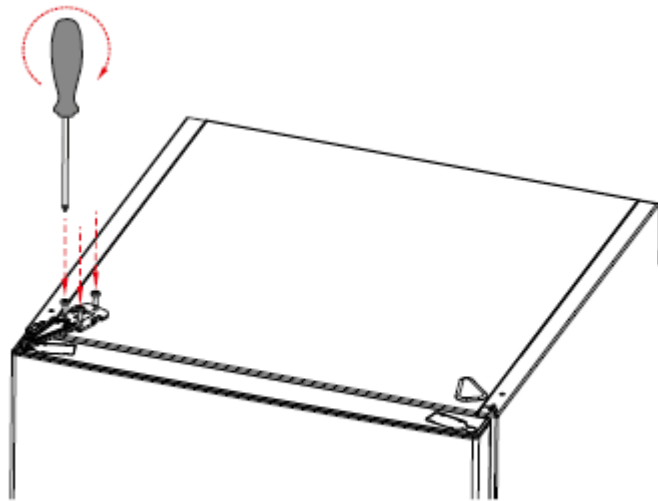
Unscrew the two screws fixing stopper and stopper support plate under the door. After that screw the other side.



Replace the top bushing and the top bushing cap at the door.



Place the door to the bottom hinge and screw the top hinge to the top panel. Place the top hinge cover.



Replecament of Cooler Fan

Remove the fan motor cover.

Unscrew the two screws and remove the fan motor body.

Take out the sockets and replace the fan motor.



Fan is supported on rubber !

Replecement of Door Switch

Remove the door switch by pulling forward and disconnect switch connector.



Door switch
Door open = switch closed
Door closed = switch open



Warning: Pay attention not to damage to the door switch body details!

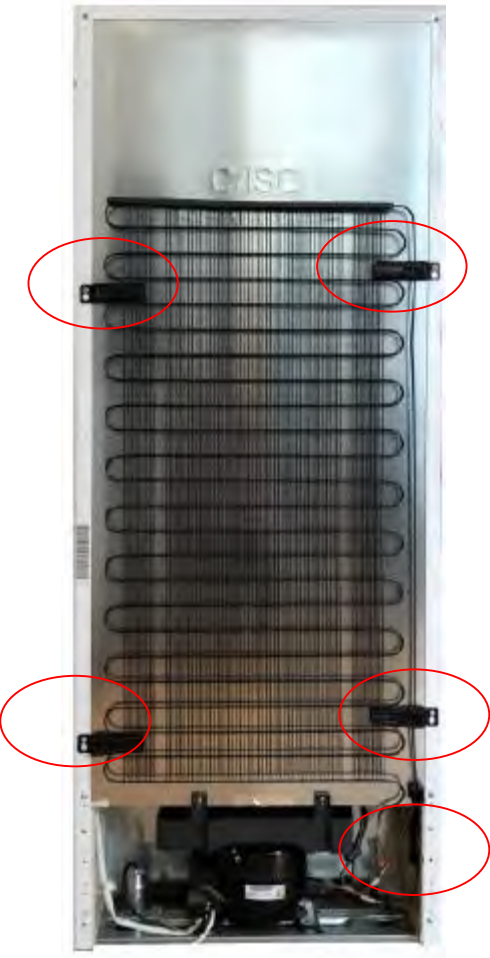
Replecament of Main Condanser



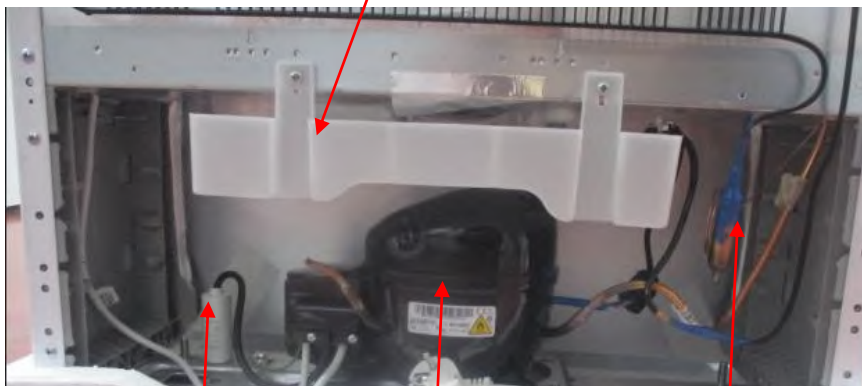
The plug must be pulled out before condanser is removed.

Dissassemble the back condanser by using the screwdriver to remove 4 screws.

Separate the compressor by using the plier to cut the welding connector.



Condensation water tray



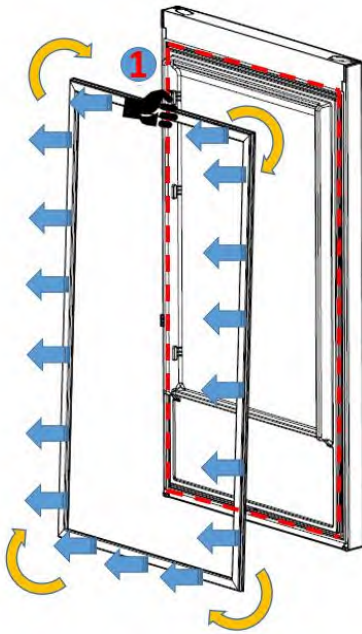
Capacitor
(Optional)

Compressor

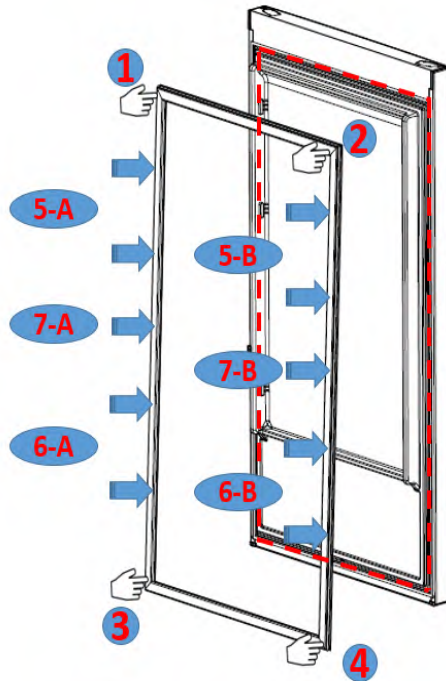
Dryer

Replacament of Door Gasket

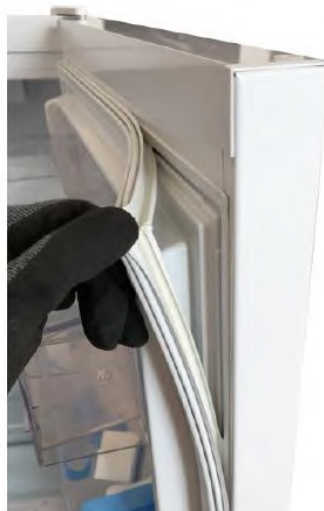
Pull the gasket towards starting from top right corner. Slowly pull the rest of the gasket. Completely remove the gasket from door.



Check the replacement gasket form Starting with upper right corner, press on the gasket until it fits to its place.. Place the other sides of the gasket with the help of your thumb



After the replacement check if there any non-fitting point on the gasket. Also check if there any opening at the gasket while the door is closed. If so that might cause condensation/icing or insufficient cooling/freezing. To prevent this soften the form of the gasket with the help of a hair dryer or hot water and make sure that all points are closing perfectly.



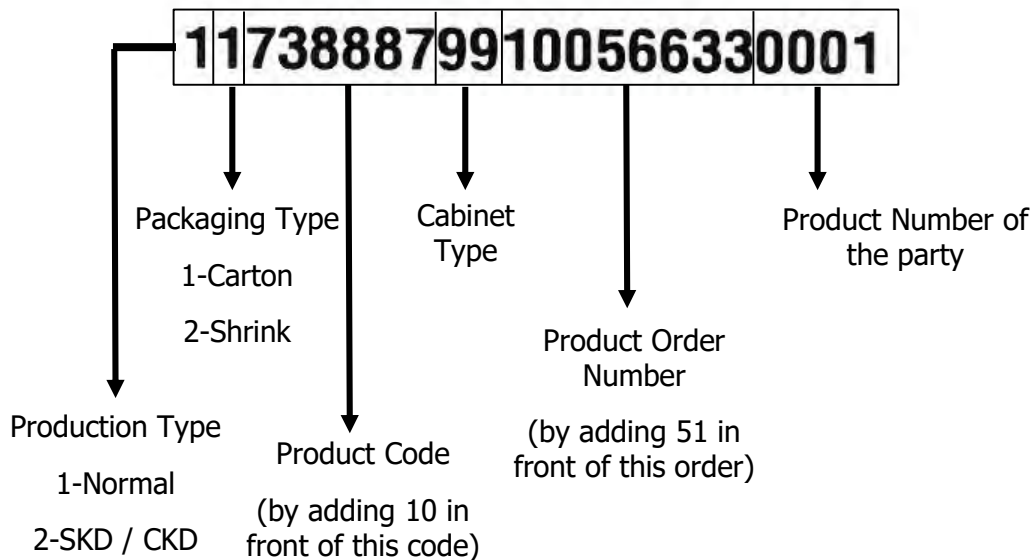
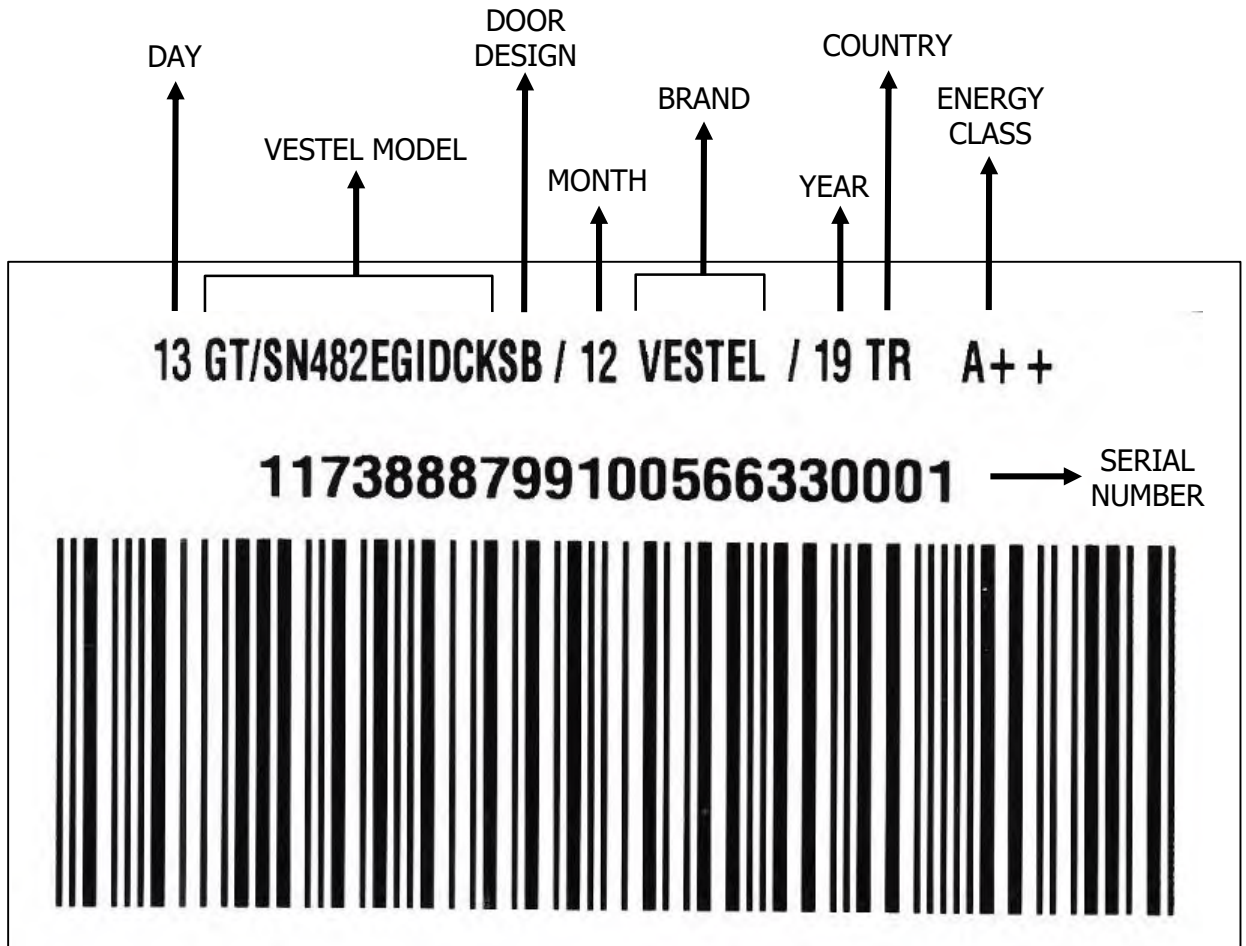


327 – ELID



Barcode and Serial Number Explanation:

Vestel refrigerator serial numbers are consist of 22 digits.



Exp:10738887