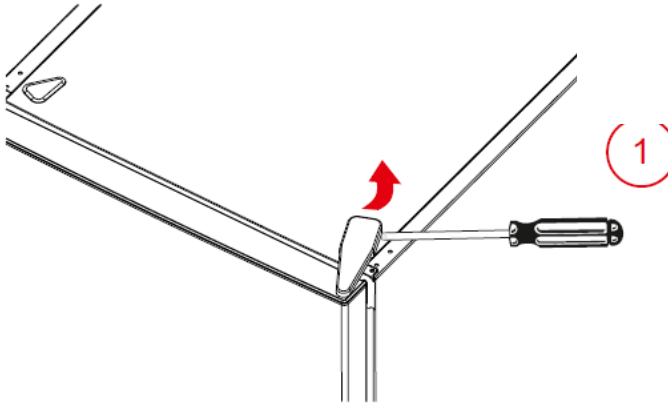
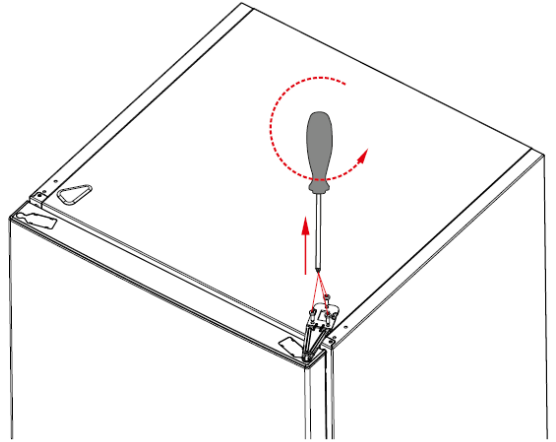


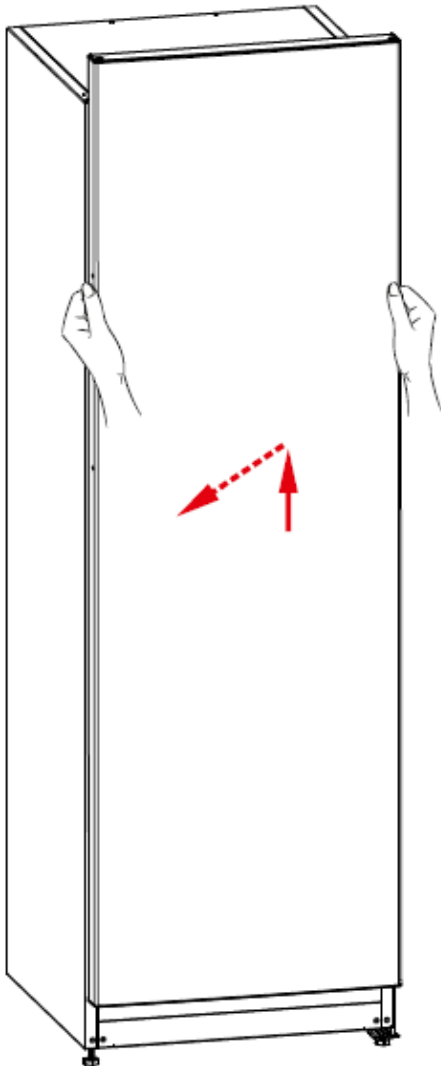
Hold the top hinge cover and remove it toward that direction.



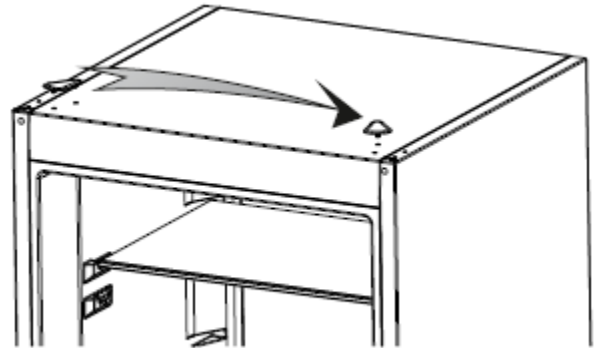
Unscrew the screws fixing the top hinge.



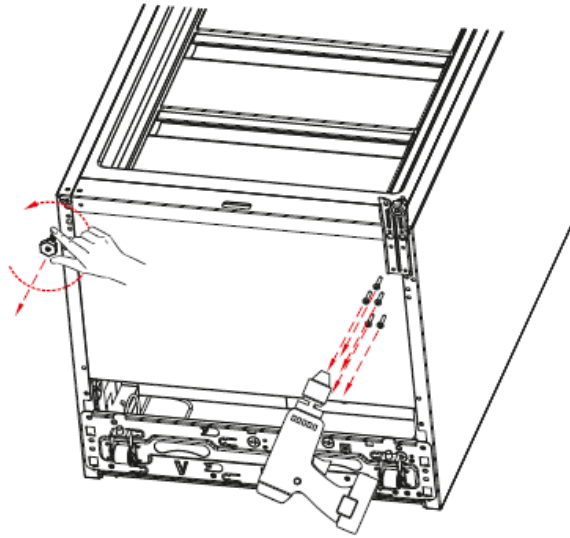
Displace the door.



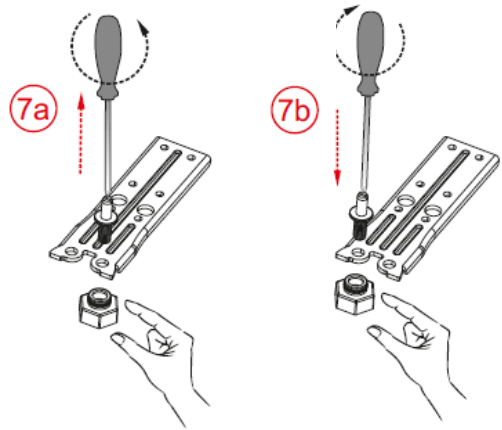
Replace the top hinge cover and hinge cap.



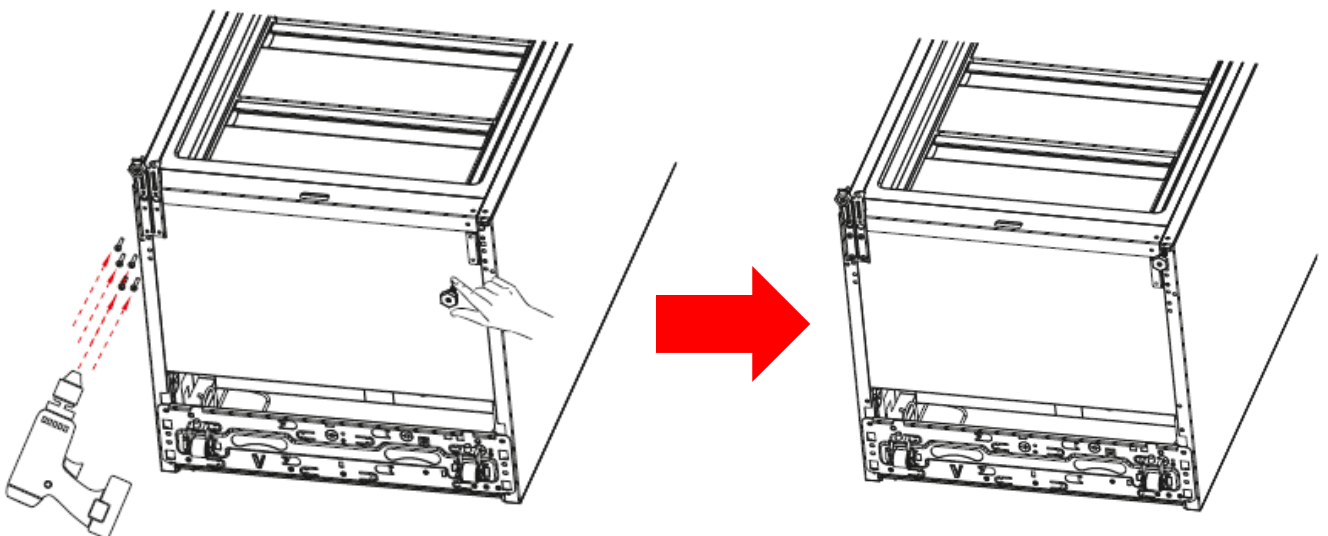
Unscrew the bottom hinge screws.  
Unscrew the adjustable foot.



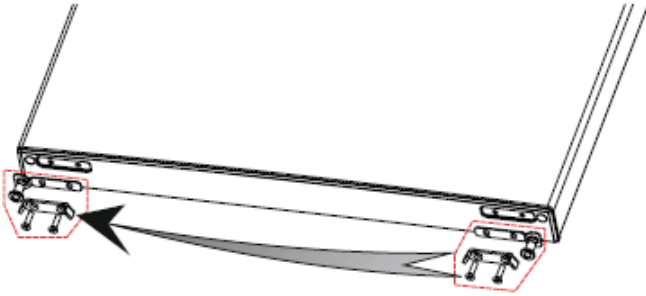
Unscrew the adjustable foot and  
the bottom hinge pin and screw it to  
other hole.



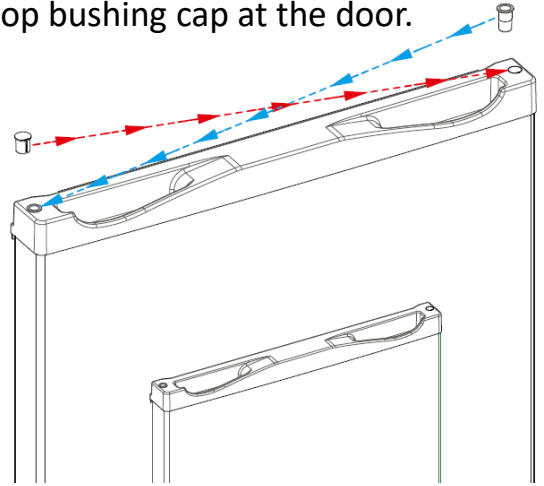
Screw the bottom hinge to the left bottom  
side of refrigerator. Screw the adjustable  
foot there.



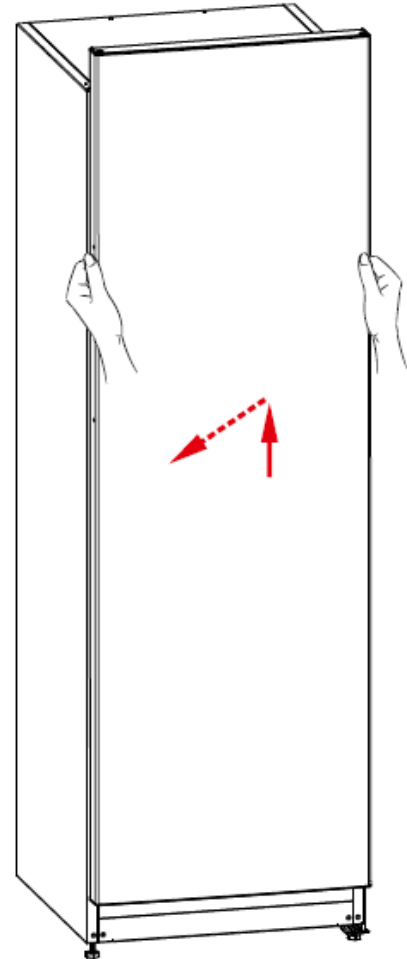
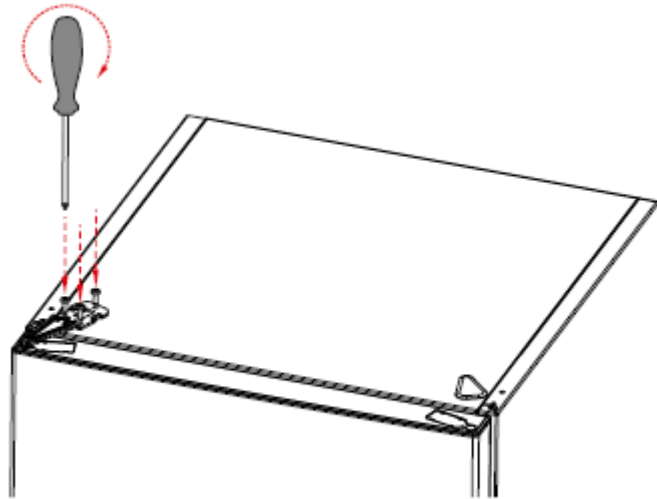
Unscrew the two screws fixing stopper and stopper support plate under the door. After that screw the other side.



Replace the top bushing and the top bushing cap at the door.



Place the door to the bottom hinge and screw the top hinge to the top panel. Place the top hinge cover.



The thermostat automatically regulates the temperature inside the fridge and freezer compartments. To change the temperature the knob can be rotated from position 1 to 5 (5 being the coldest).

#### Thermostat Settings

- Set the knob to a low/medium position, up to 3, for short-term storage of food in the appliance.
- Set the knob to a medium position, 3 or 4, for long-term storage of food in the appliance.
- For long-term storage of food in the refrigerator, you can set knob maximum position (4 - 5).



***CAUTION: The plug must be pulled out before the thermostat is removed.***

Remove screw which is attached one side of the thermostat



Firstly take off the button and screw and then take off all cable connection and pull thermostat bulb out



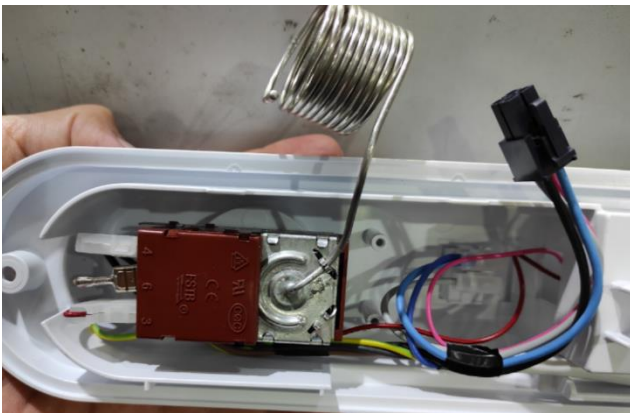
Take off the lamp cover, cable connection and screw at below picture



Firstly cut off the black band and change the thermostat



Place the thermostat, screws is tightened, insert the button  
Connect cables as shown below



Send the thermostat bulb pipe throughout the hole until it end  
Plug the black socket to the frige  
Close the lamp cover ve screw is tightened which are attached one side of the thermostat.

***CAUTION: The plug must be pulled out before the thermostat led is removed.***

Screwdriver into the gap and remove the led cover.



Remove screw led



Disconnect the connector and change the led.



## REPLECAMENT OF COOLER FAN

Remove the fan motor cover.

Unscrew the two screws and remove the fan motor body.

Take out the sockets and replace the fan motor.



Pull the gasket towards starting from top right corner  
 Slowly pull the rest of the gasket.  
 Completely remove the gasket from door.



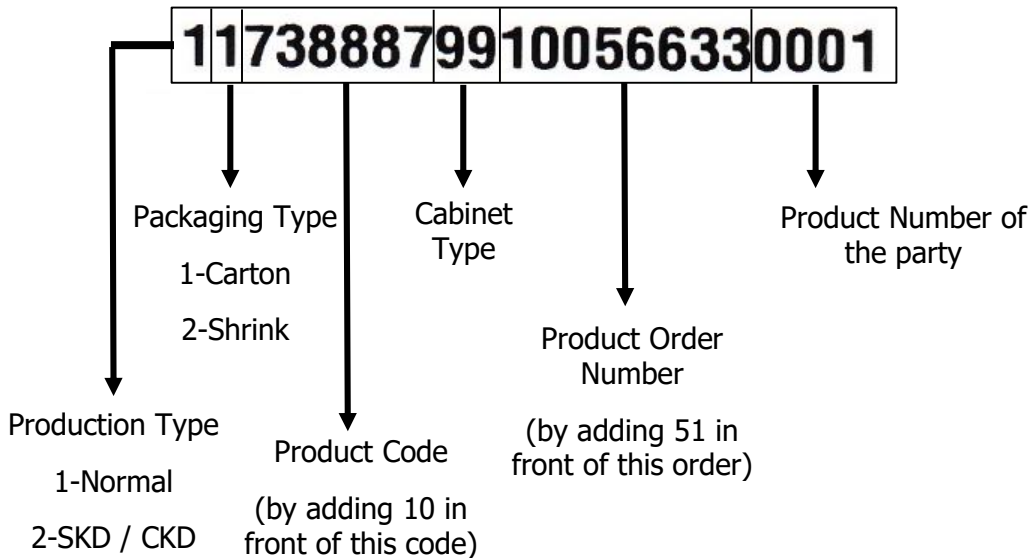
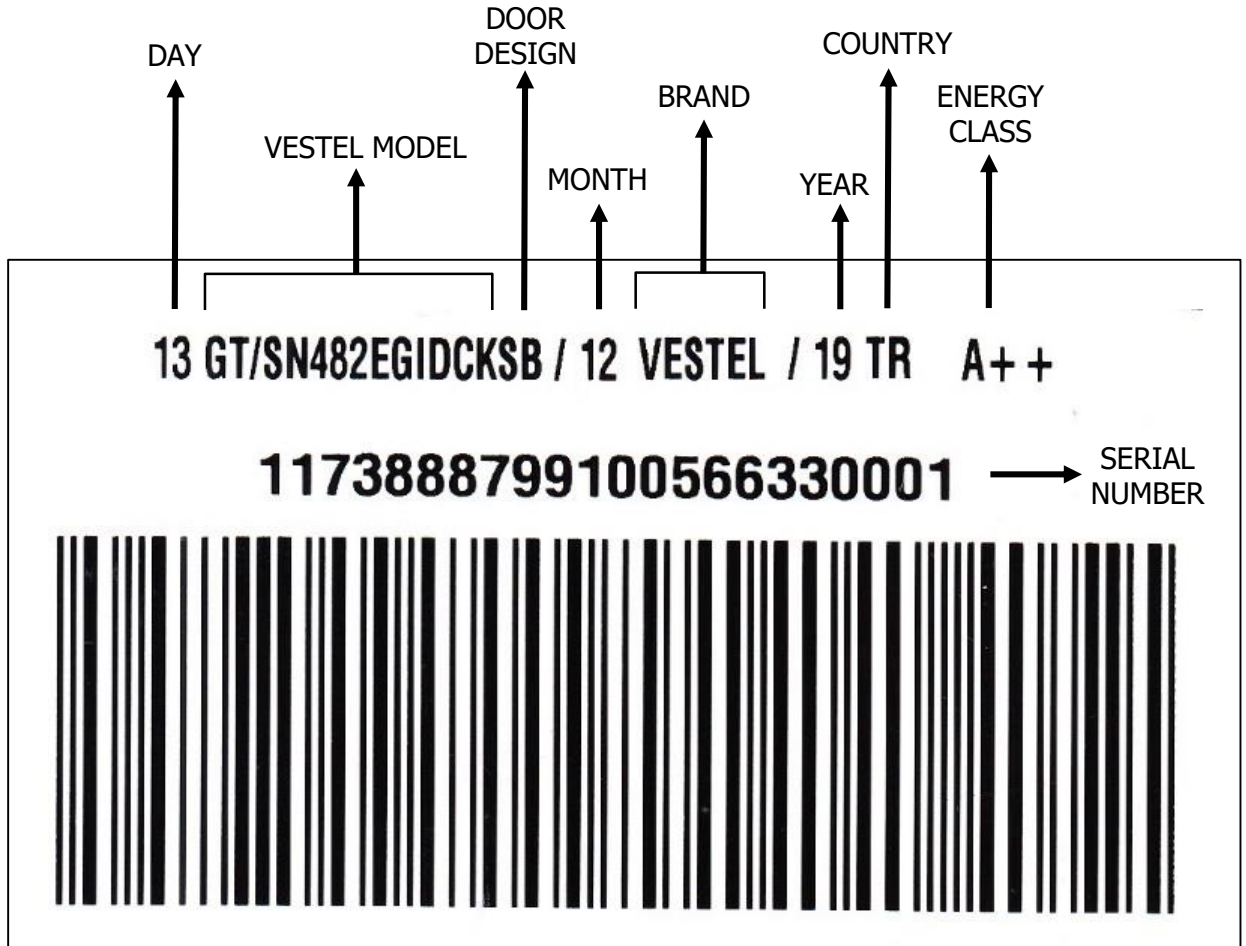
Check the replacement gasket form  
 Starting with upper right corner , press on the gasket until it fits to its place..  
 Place the other sides of the gasket with the help of your thumb



After the replacement check if there any non-fitting point on the gasket. Also check if there any opening at the gasket while the door is closed. If so that might cause condensation/icing or insufficient cooling/freezing. To prevent this soften the form of the gasket with the help of a hair dryer or hot water and make sure that all points are closing perfectly.

## Barcode and Serial Number Explanation:

Vestel refrigerator serial numbers are consist of 22 digits.



**Exp:10738887**