

- 1) Thermostat knob
- 2) Freezer flaps
- 3) Freezer drawers
- 4) Levelling feet
- 5) Ice box tray
- 6) Plastic ice scraper



The freezer thermostat automatically regulates the temperature of the compartment. Freezer temperatures can be obtained by rotating the knob to higher numbers, 1 to 5.

Important note: Do not try to rotate knob beyond 1 position it will stop your appliance.

Freezer Thermostat Setting;

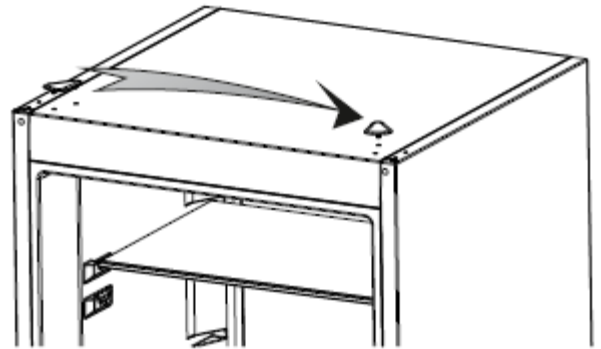
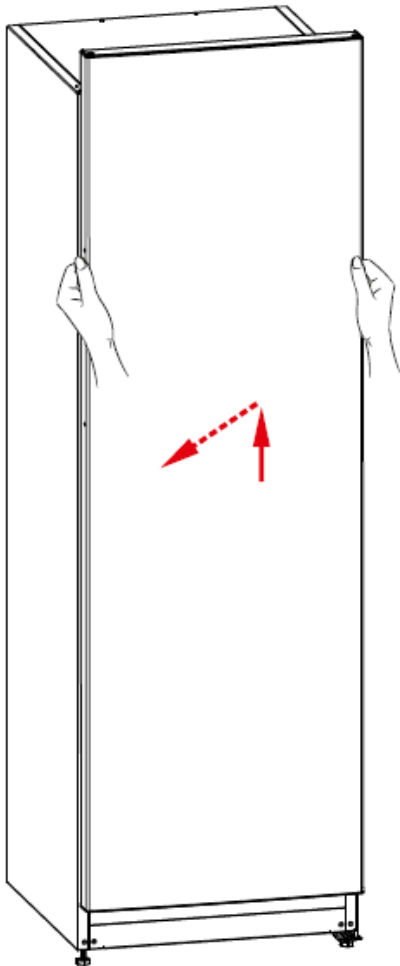
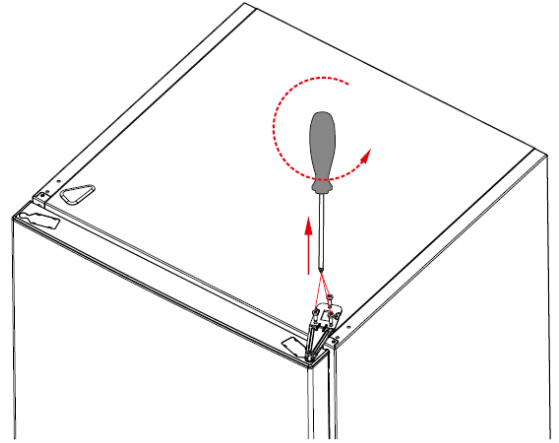
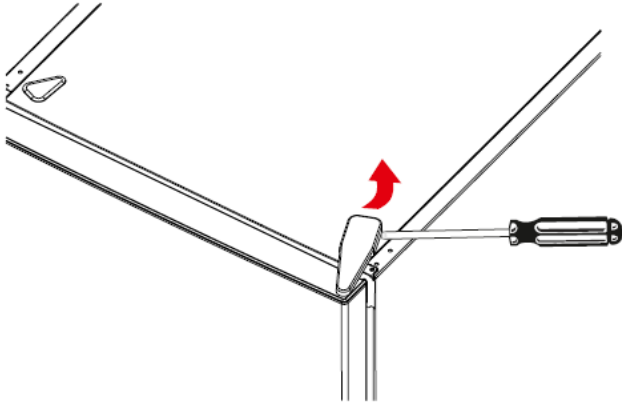
1 - 2 : For short-term storage of food in the freezer compartment, you can set the knob between minimum and medium position.

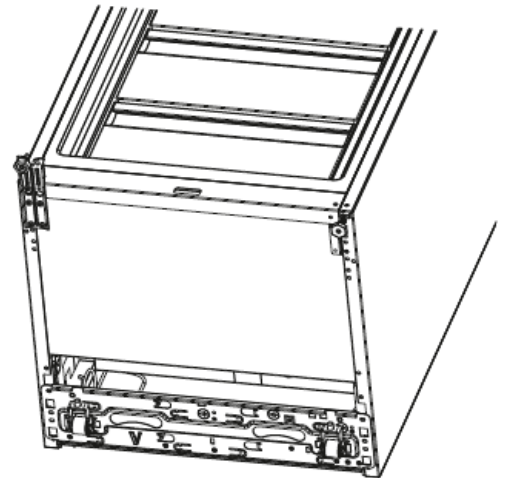
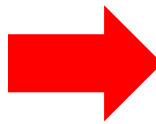
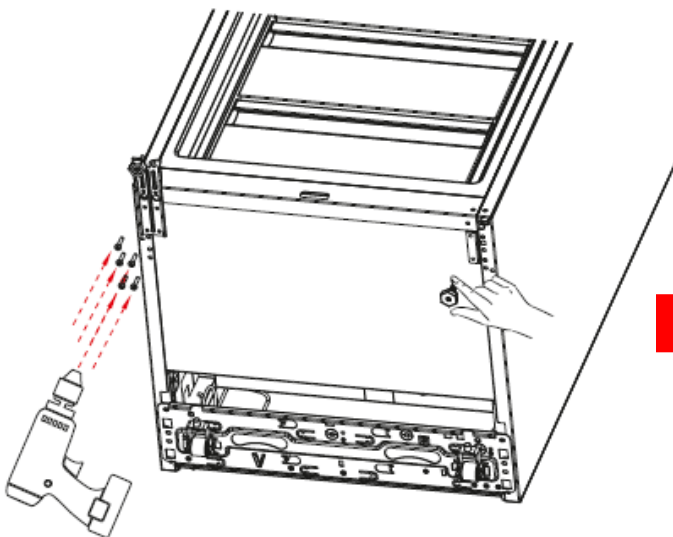
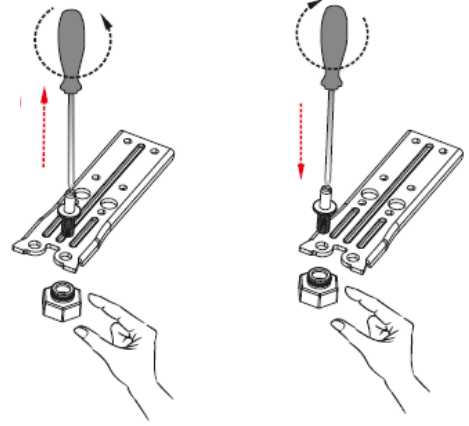
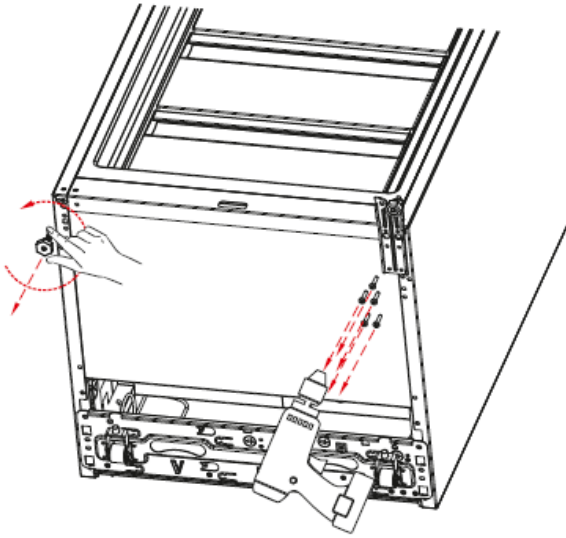
3 - 4 : For long-term storage of food in the freezer compartment, you can set knob to medium position.

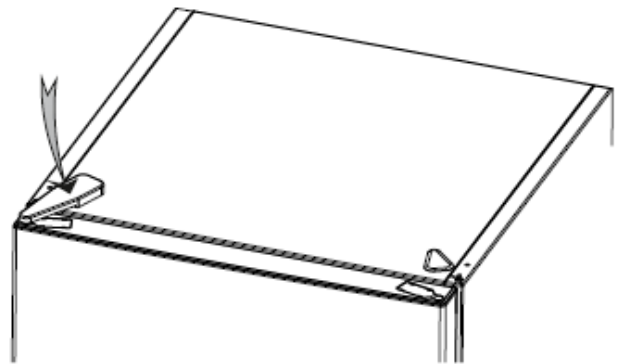
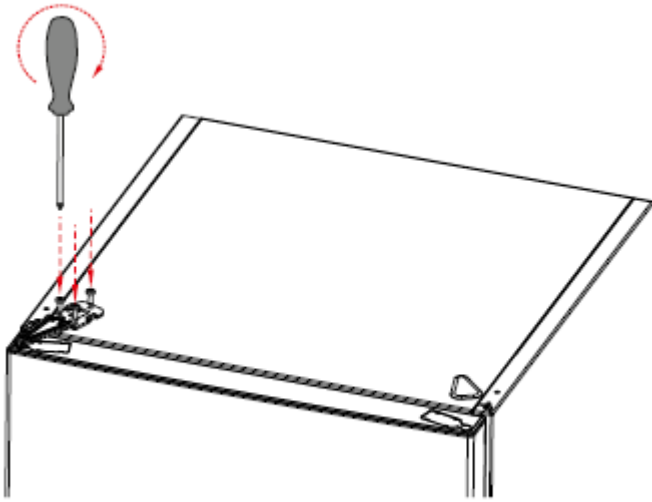
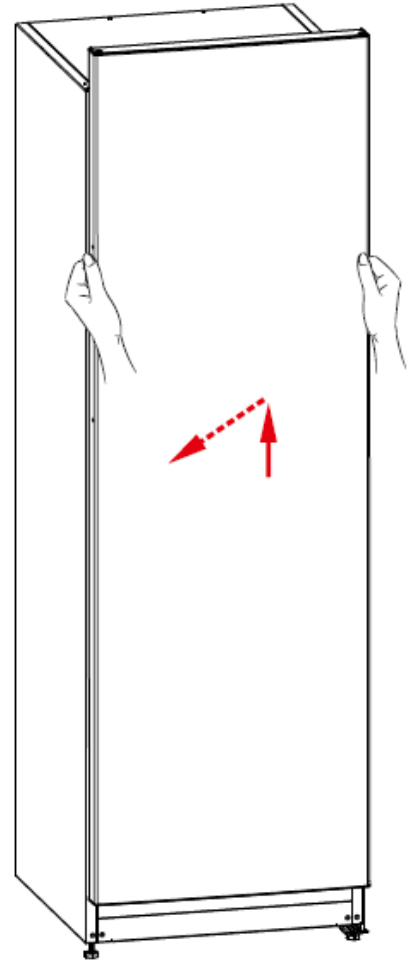
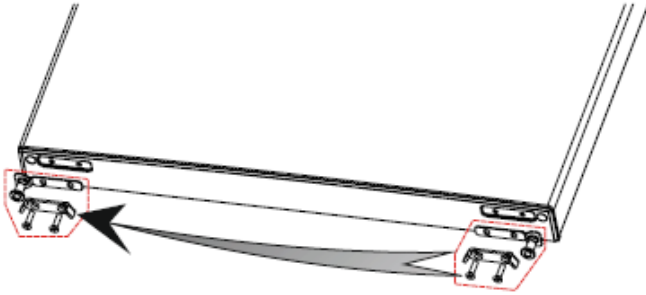
5 : Maximum cooling position. The appliance will work longer.

Temperature Settings Warnings

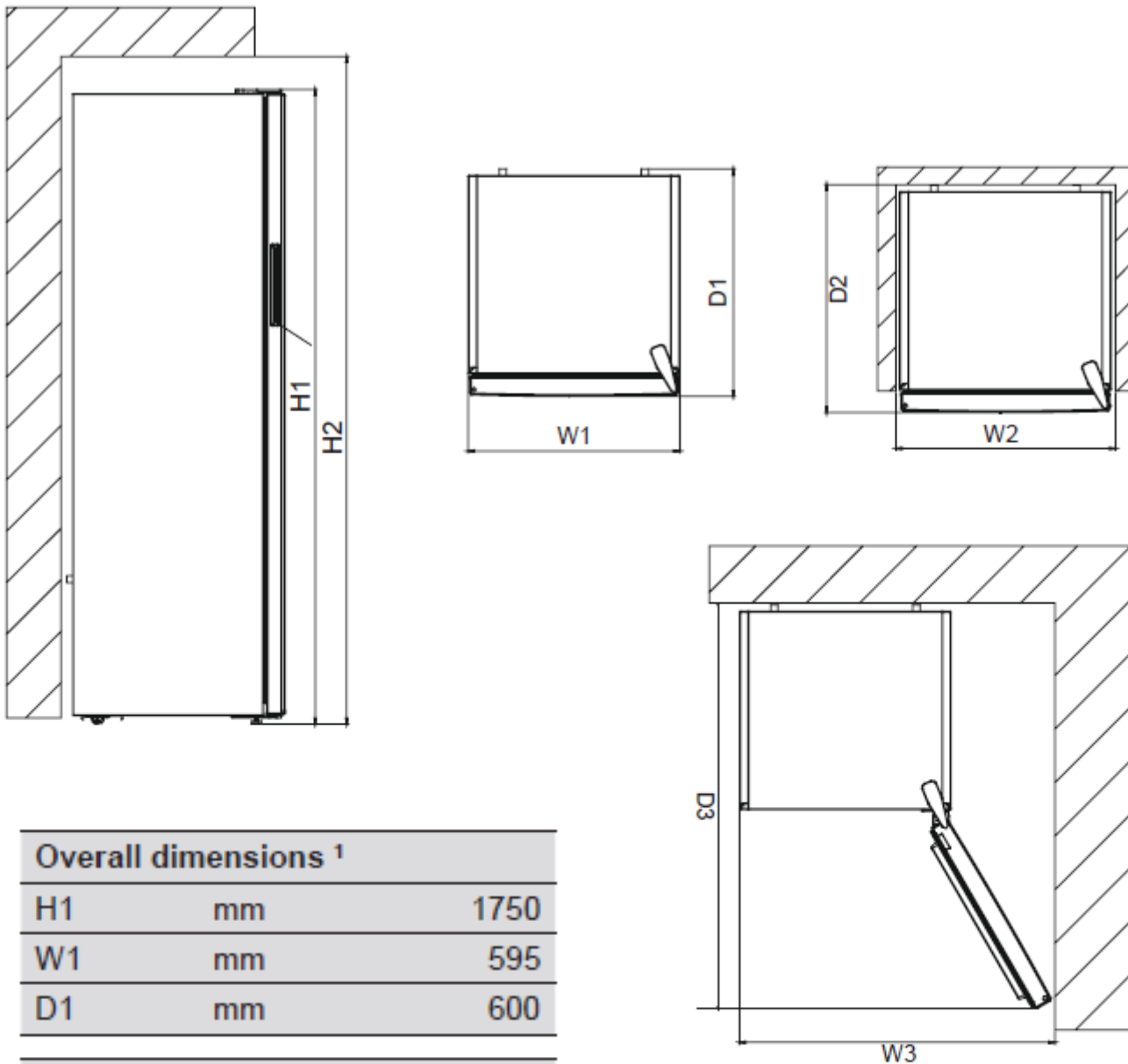
- The ambient temperature, temperature of the freshly stored food and how often the door is opened affects the temperature in the freezer compartment. If required, change the temperature setting.
- It is not recommended that you operate your freezer in environments colder than 10°C in terms of its efficiency.
- When setting the thermostat, take into consideration how often the appliance door is opened and closed, how much food is stored in the freezer, and the environment in which the freezer is located.
- When the appliance is first switched on, allow it to run for 24 hours in order to reach operating temperature. During this time, do not open the door and do not keep a large quantity of food inside.
- Unplug your appliance during a power cut to prevent damage to the compressor. Once power is restored, delay plugging in your appliance for 5 to 10 minutes. This will help prevent damage to the appliance's components.
- Your appliance is designed to operate in the ambient temperature ranges stated in the standards, according to the climate class stated in the information label. It is not recommended that your freezer is operated in the environments which are outside of the stated temperature ranges. This will reduce the cooling efficiency of the appliance.
- Your appliance is designed to operate in the ambient temperature (T/SN = 10°C - 43°C) intervals stated in the standards, according to the climate class displayed on the information label. We do not recommend operating your appliance out of the stated temperature limits in terms of cooling effectiveness.







DIMENSIONS



Overall dimensions ¹

H1	mm	1750
W1	mm	595
D1	mm	600

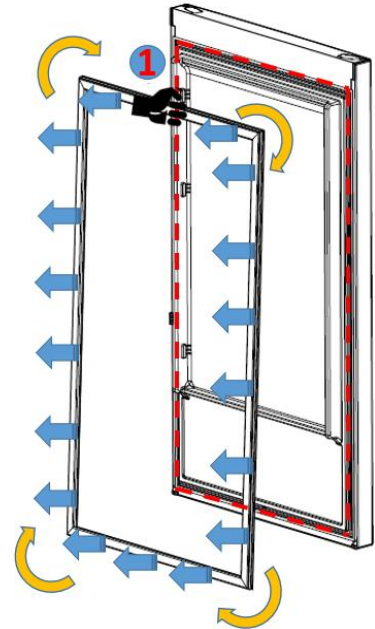
Space required in use ²

H2	mm	1900
W2	mm	695
D2	mm	702,5

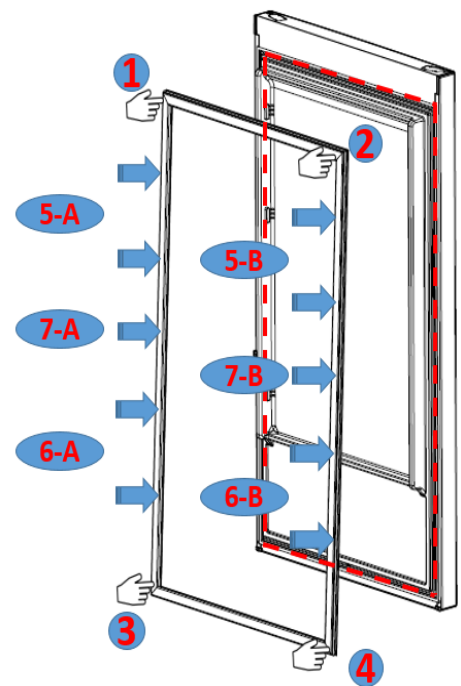
Overall space required in use ³

W3	mm	990
D3	mm	1193,5

Pull the gasket towards starting from top right corner
Slowly pull the rest of the gasket.
Completely remove the gasket from door.



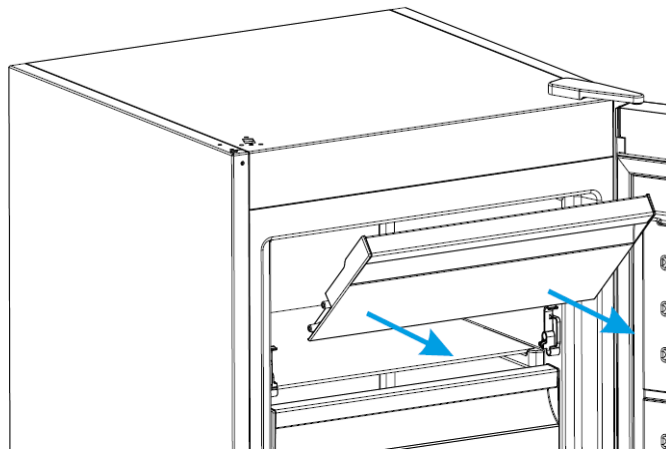
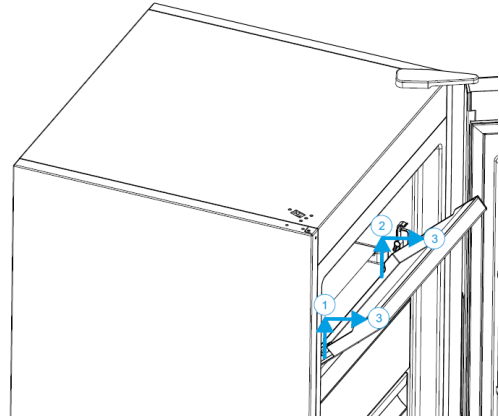
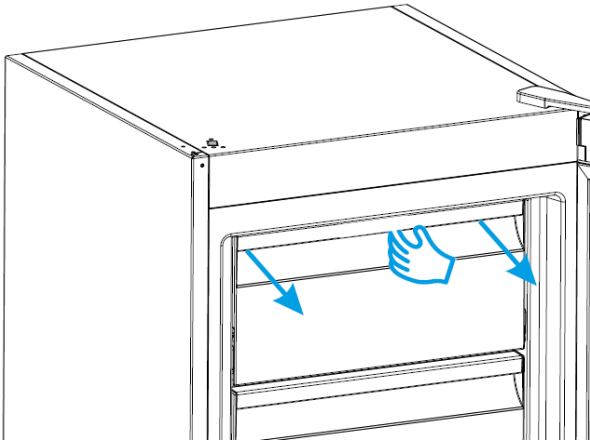
Check the replacement gasket form
Starting with upper right corner, press on the gasket until it fits to its place..
Place the other sides of the gasket with the help of your thumb



After the replacement check if there any non-fitting point on the gasket. Also check if there any opening at the gasket while the door is closed. If so that might cause condensation/icing or insufficient cooling/freezing. To prevent this soften the form of the gasket with the help of a hair dryer or hot water and make sure that all points are closing perfectly.

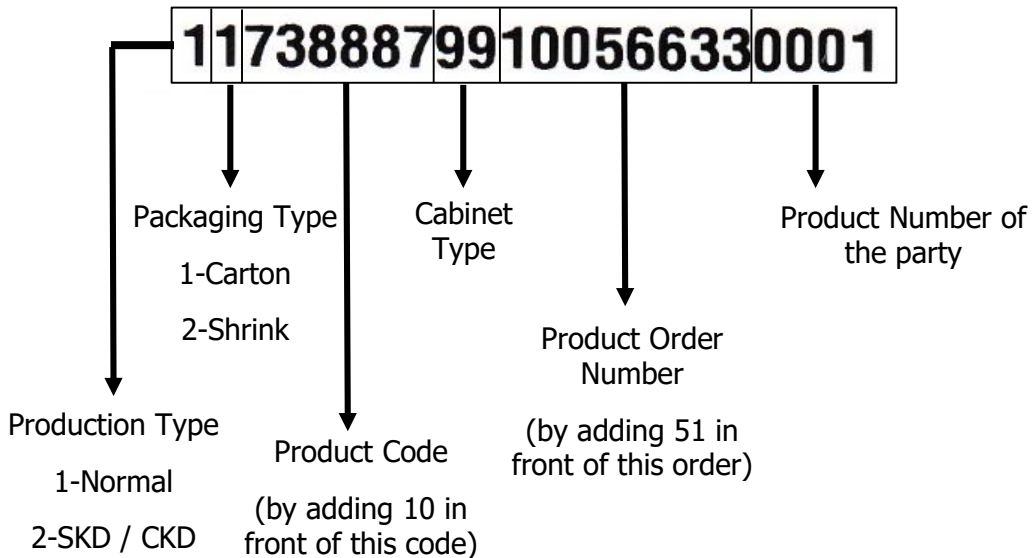
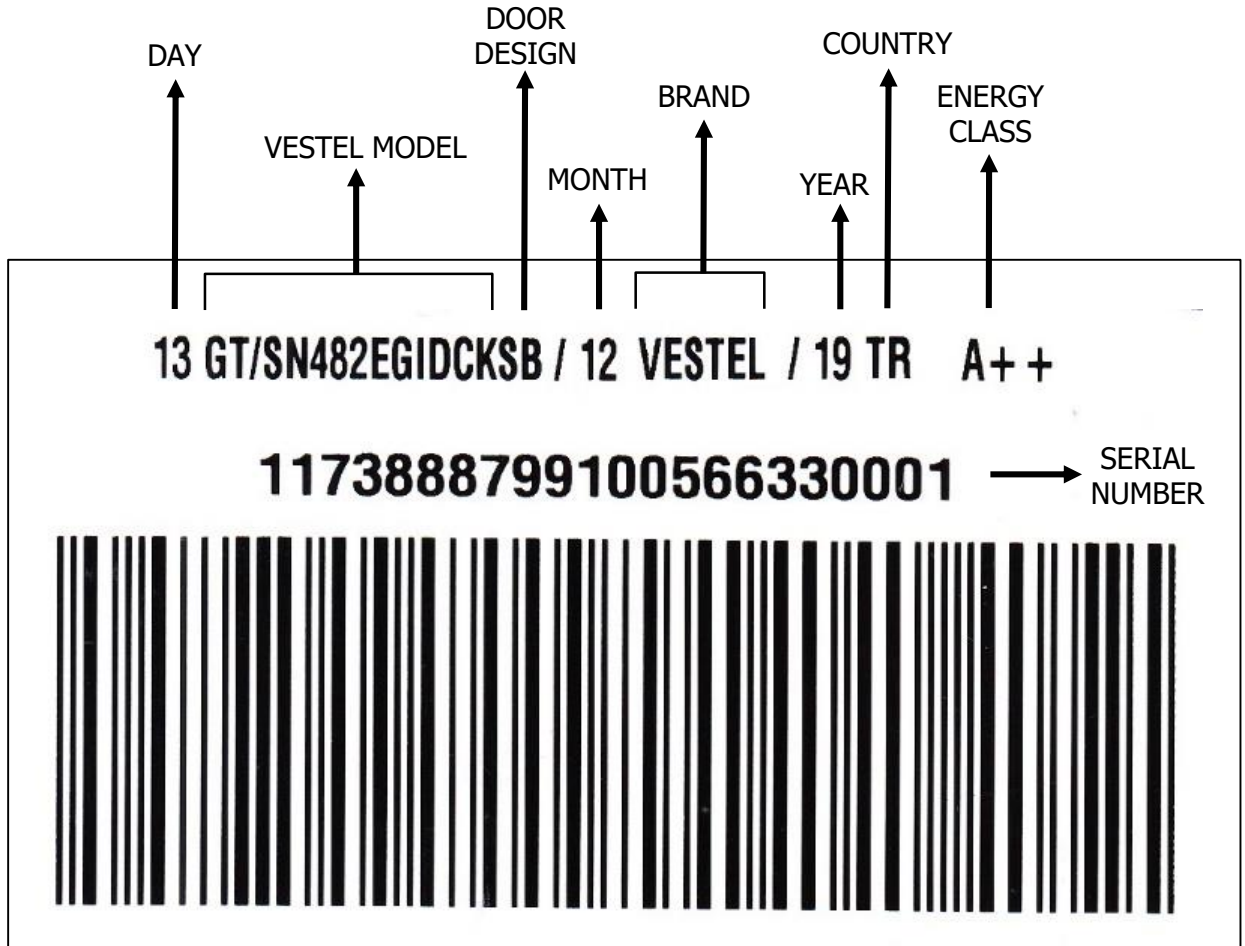
First open the flap slightly, now push the flap up from its bottom edge, focusing on only one side.

When the flap is freed from this side, repeat same operation for the other side.



Barcode and Serial Number Explanation:

Vestel refrigerator serial numbers are consist of 22 digits.



Exp:10738887