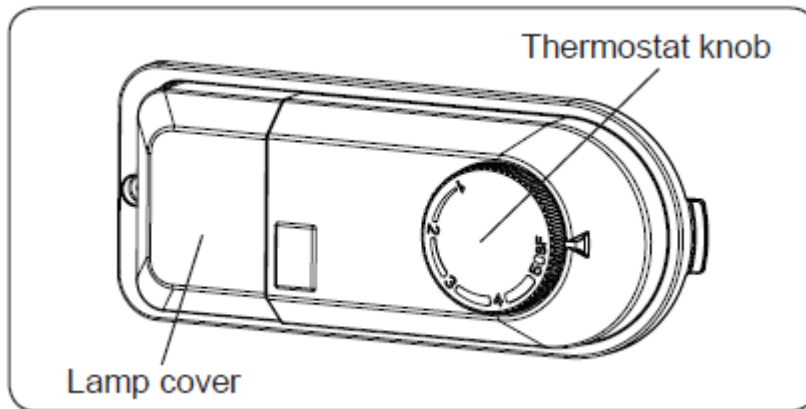


### Thermostat Setting :

The temperature inside the refrigerator and freezer compartments. Cooler temperatures can be obtained by rotating the knob to higher numbers, 1 to 5 and SF

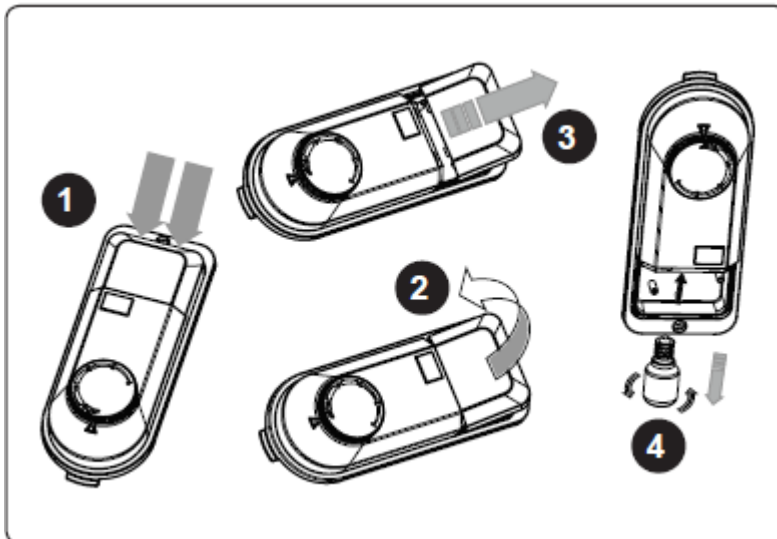


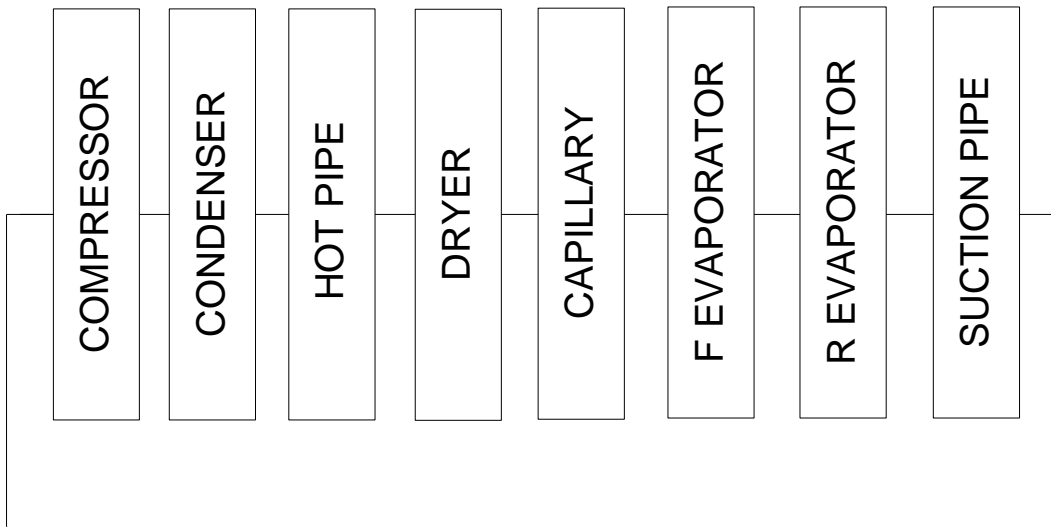
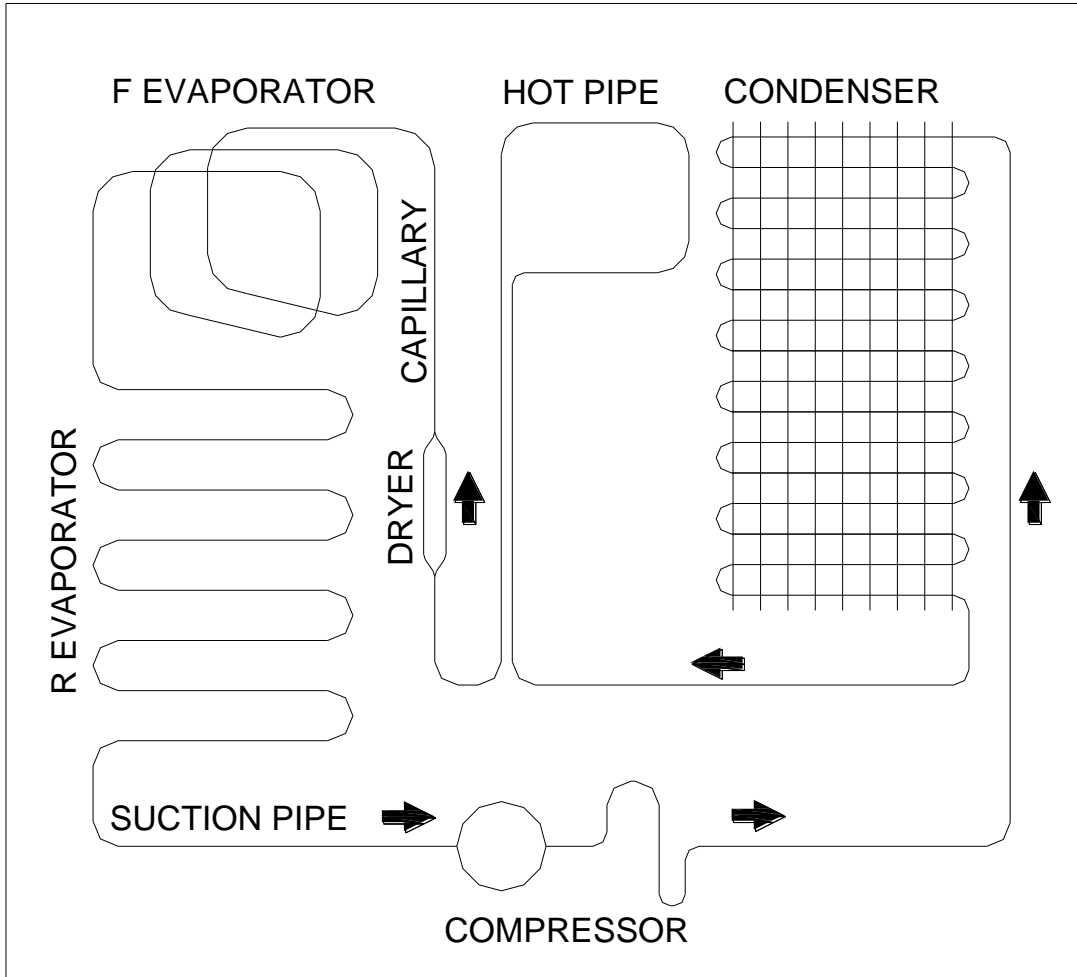
- Set the knob to a low/medium position, up to 3, for short-term storage of food in the appliance.
- Set the knob to a medium position, 3 or 4, for long-term storage of food in the appliance.
- Set the knob to 5 for frequent use of fresh food and freezer compartments in hot ambient temperatures.
- Turn the knob to SF to freeze fresh food quickly. In this position, the freezer compartment will operate at lower temperatures. After your food freezes, turn the thermostat knob to its normal use position. If you do not change the SF position, your appliance work will automatically return to its last used thermostat position after 48 hours. Return the thermostat switch to the SF position and return it to normal use 48 hours later.

**Important note:** If the thermostat switch is in the SF position when your appliance is first started, your appliance work will automatically return to the operation in the thermostat-3 position 48 hours later after starting.

**Replacing the Light Bulb :**

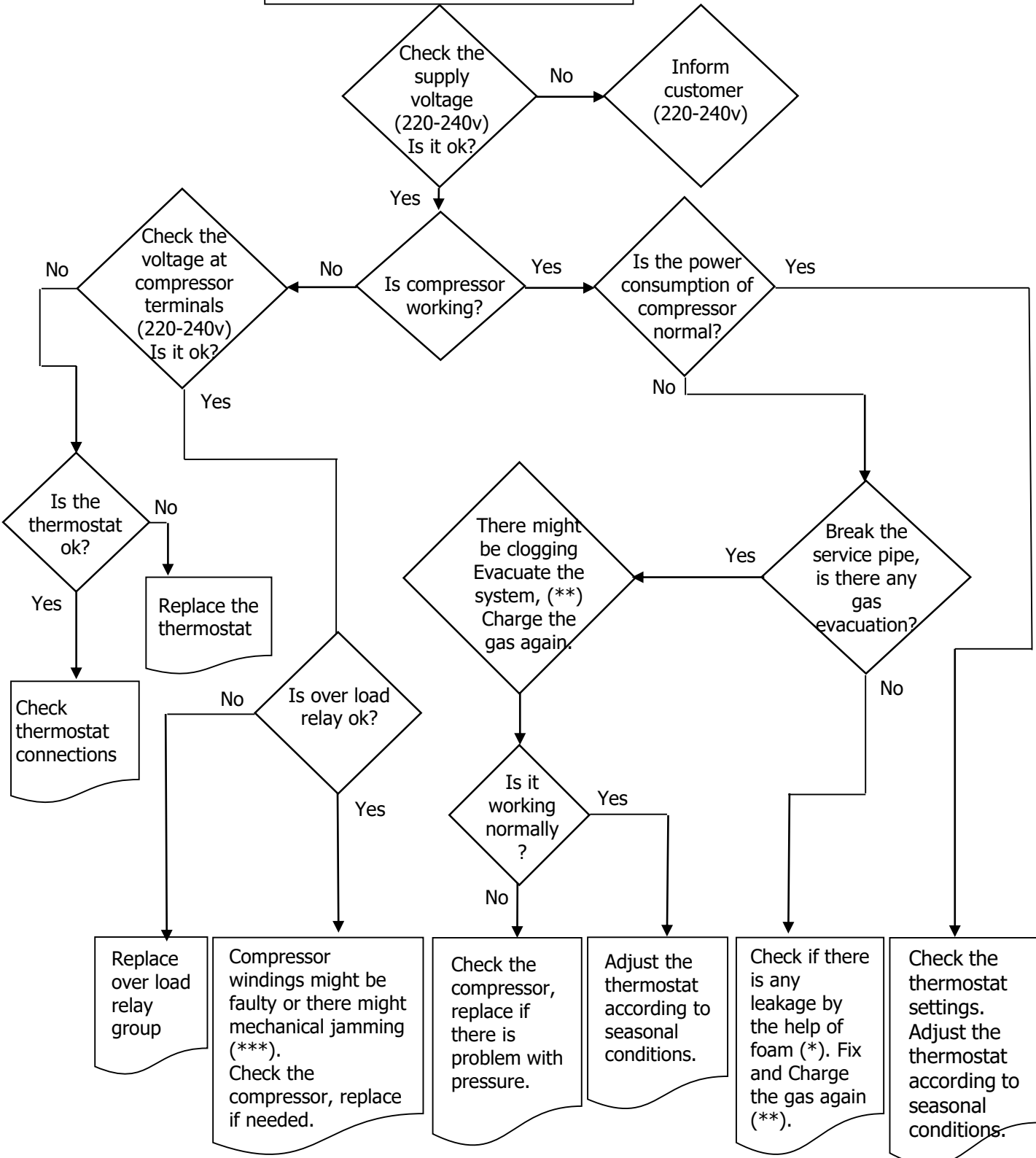
1. Press the hooks on light cover. (Fig. 1)
2. Open the light cover towards arrow when top hooks pull out from housing. (Fig. 2)
3. Pull out the cover towards arrow remove it. (Fig. 3)
4. Turn the light bulb counter clockwise and remove it. (Fig. 4)
5. Change the present light bulb with a new one of not more than 15 W. (Fig. 4)
6. Implement the steps in reverse order.
7. After waiting 5 minutes, plug the unit.





## TROUBLE-SHOOTING CHART

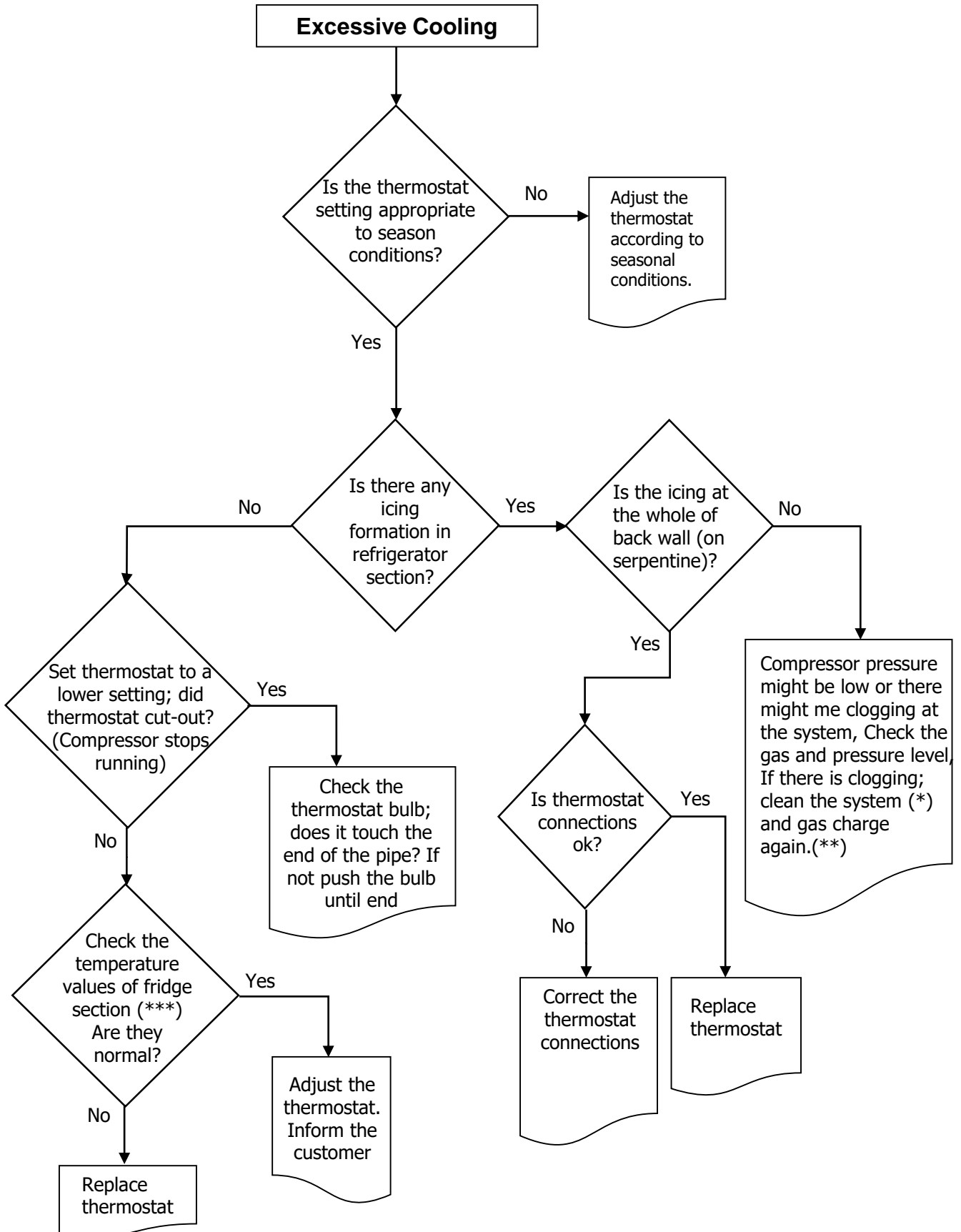
**No/Insufficient cooling**



(\*) Check all pipes, tubes and welding points against gas leakage. (\*\*) Before charging gas to system, change dryer and vacuum at least 30 minutes, then charge the system with amount written on label (\*\*\*) Compressor primary winding should be around 10 Ω and secondary around 15 Ω (at 25°C ambience temp.)

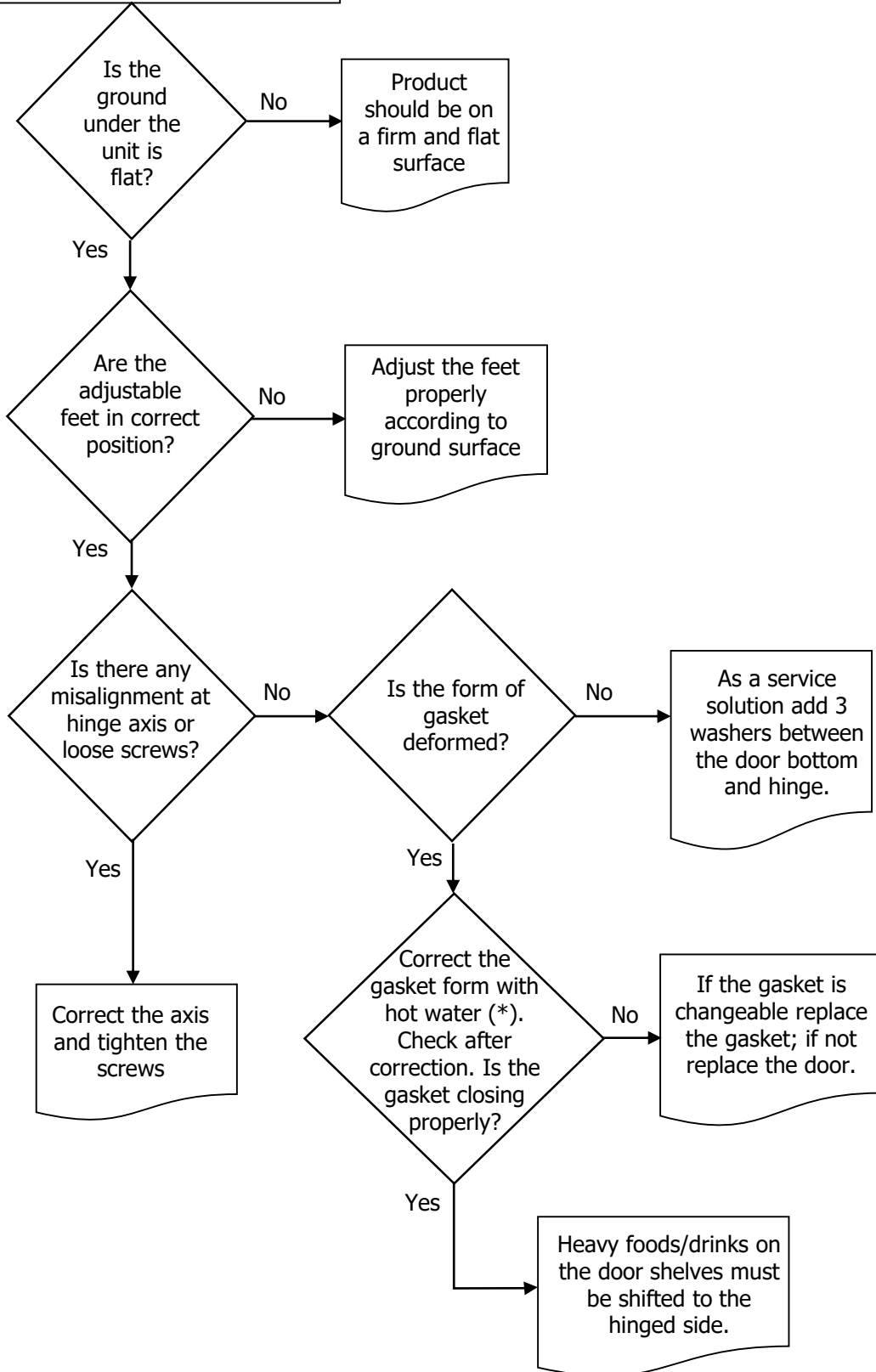
## TROUBLE-SHOOTING CHART

### Excessive Cooling

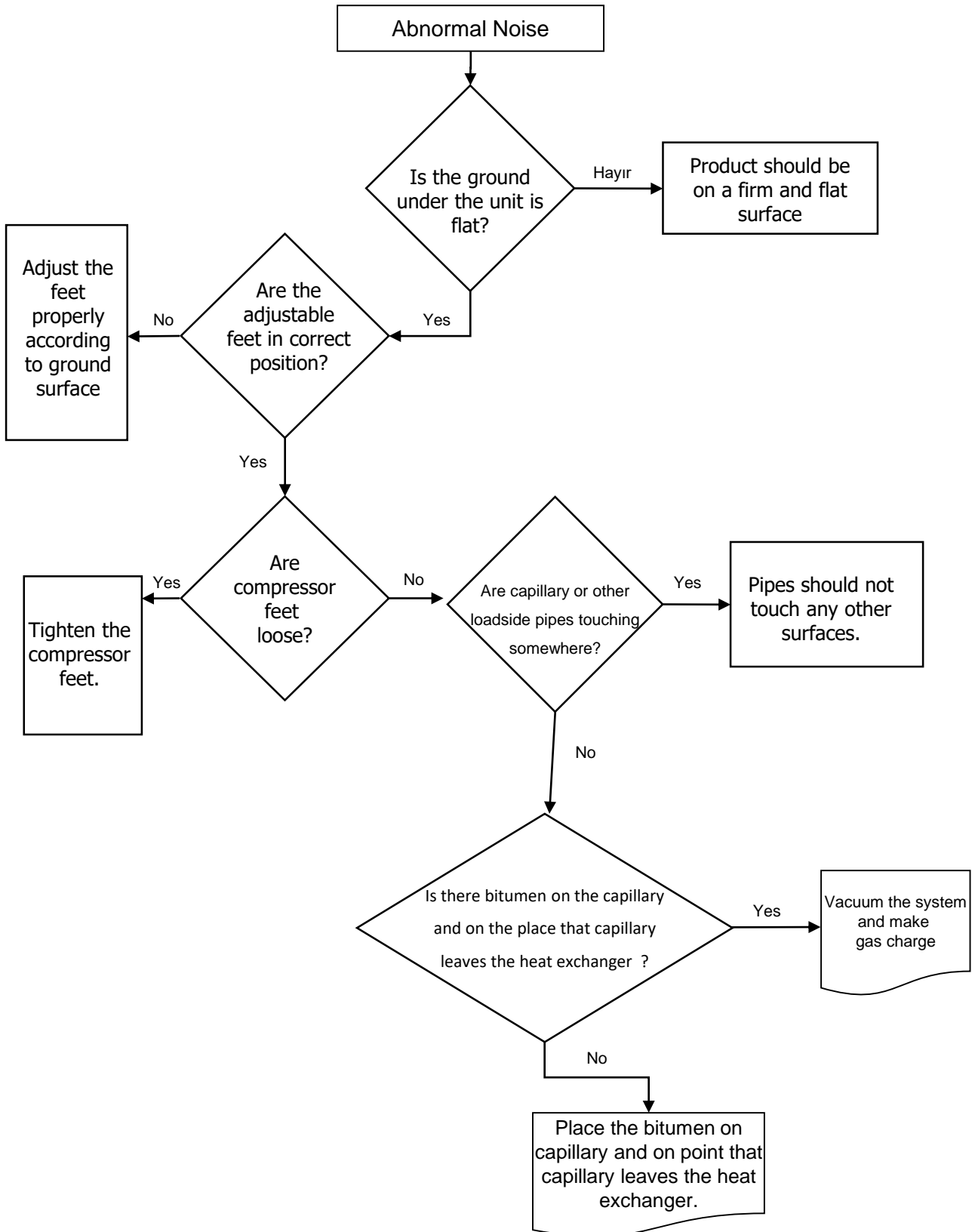


**TROUBLE-SHOOTING CHART**

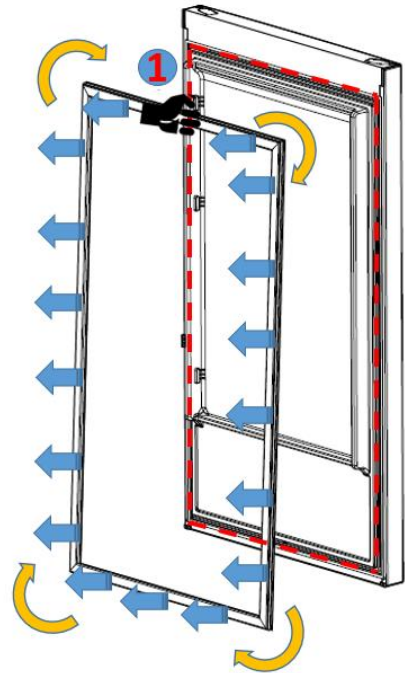
**Door/Gasket Adjustment**



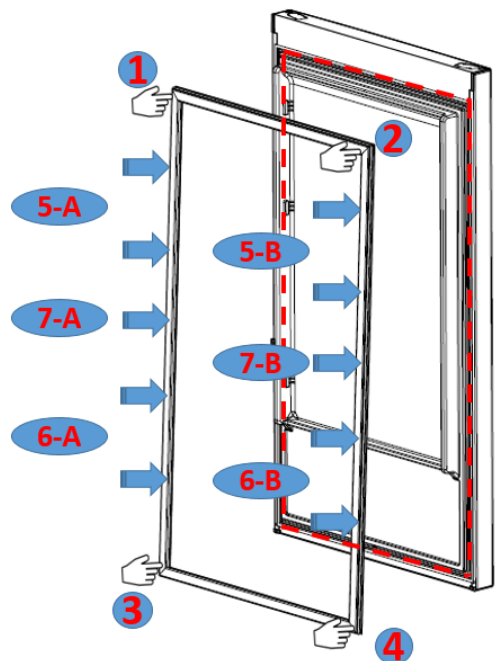
**(\*) Correct the gasket form by the help of hot water and hair dryer.**



Pull the gasket towards starting from top right corner  
Slowly pull the rest of the gasket.  
Completely remove the gasket from door.



Check the replacement gasket form  
Starting with upper right corner, press on the gasket until it fits to its place..  
Place the other sides of the gasket with the help of your thumb



After the replacement check if there any non-fitting point on the gasket. Also check if there any opening at the gasket while the door is closed. If so that might cause condensation/icing or insufficient cooling/freezing. To prevent this soften the form of the gasket with the help of a hair dryer or hot water and make sure that all points are closing perfectly.

1. Hold the top hinge cover and remove it toward that direction (Pic-1)



Picture-1

2. Unscrew the three screws fixing the top hinge and remove it. (Pic-2)



Picture-2

3. Displace the top door (Pic-3)



Picture-3

4. Unscrew the two screws fixing the middle hinge and remove it. (Pic-4)



Picture-4

5. Displace the bottom door. (Pic-5)



**Picture-5**

6. Unscrew the adjustable foot (Pic-6)



**Picture-6**

7. Unscrew the bottom hinge screws. (Pic-7)



**Picture-7**

**8.** Unscrew the bottom hinge pin and screw it to other hole. (Pic-8)



**Picture-8**

**9.** Unscrew the left bottom adjustable foot and the screws fixing roller. After that screw them to other side (Pic-9)



**Picture-9**

**10.** Screw the bottom hinge to the left bottom side of refrigerator. Screw the adjustable foot there. (Pic-10)



**Picture-10**

**11.** Unscrew the two screws fixing stopper and stopper support plate under the cooler door. After that screw the other side. (Pic-11)



**Picture-11**

**12.** Replace the top bushing and the top bushing cap at the bottom door. (Pic-12)



**Picture-12**

**13.** Remove the catcher under the top door and then stopper reinforcement plate. (Pic-13.1) First, screw stopper support plate the closest one to bigger hole. Second, screw stopper without using a cordless screwdriver. (Pic-13.2)



**Picture-13.1**



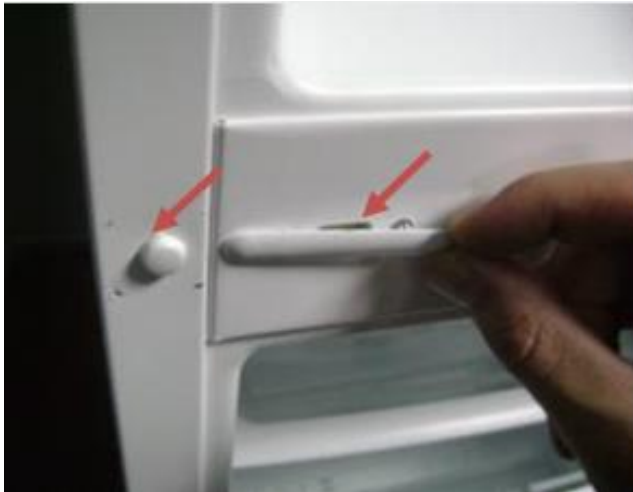
**Picture-13.2**

**14.** Remove the hinge cover on the top panel and replace to other side.(Pic-14)



**Picture-14**

**15.** Remove the middle hinge cover and then screw the screw on the side panel (Pic-15.1) and assemble to the right side panel (Pic-15.2)



**Picture-15.1**



**Picture-15.2**

**16.** Place the bottom door (Pic-16.1) and rotate the middle hinge by 180°. After that, Screw to the right side on the middle sheet. (Pic-16.2)



**Picture-16.1**



**Picture-16.2**

**17.** Place the top door to the middle hinge and then screw the top hinge to the top panel. (Pic-17)

**18.** Place the top hinge cover. (Pic-18)



**Picture-17**



**Picture-18**

**Removing/Assembling The Door Switch**

**1.** Stick a tape to protect the body plastic. Flex it with the help of a tool like a slotted screwdriver. (Pic-1)



**Picture-1**

**2.** Also flex the top-side of the switch and then displace by pulling. (Pic-2)



**Picture-2**

**3.** Put the switch connector cable in the housing. First place the top-side of the switch and then push the bottom side.(Pic-3.1/Pic-3.2)



**Picture-3.1**



**Picture-3.2**

**4.** After the switch is placed, complete the assembly by pushing. (Pic-4)



**Picture-4.1**



**Picture-4.2**