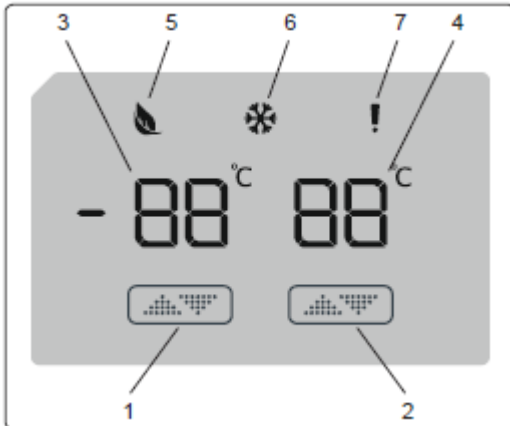


Display and Control Panel



Using the Control Panel

1. Enables the setting of the freezer to be modified and super freeze mode to be activated if desired.
2. Enables the setting of the cooler to be modified and super cool mode to be activated if desired.
3. Freezer set value screen.
4. Cooler set value screen.
5. Economy mode symbol.
6. Super freeze symbol.
7. Alarm symbol.

1.2 Operating your Fridge Freezer

Once you have plugged in the product, all symbols will be displayed for 2 seconds and the initial values will be shown as -18 °C on the freezer adjustment indicator, and +4 °C on the fridge adjustment indicator.

1.2.1 Freezer Temperature Settings

- The initial temperature value for the freezer setting indicator is -18 °C.
- Press the freezer set button once.

When you first press the button, the previous value will blink on the screen.

- Whenever you press the same button, a lower temperature will be set (-16 °C, -18 °C, -20 °C, -22 °C or -24 °C).
- If you continue to press the button, it will restart from -16 °C.

NOTE: Eco mode gets activated automatically when the temperature of the freezer compartment is set to -18°C.



1.2.2 Cooler Temperature Settings

- The initial temperature value for the cooler setting indicator is +4 °C.
- Press the cooler button once.
- Whenever you press the button, a lower temperature will be set (+8 °C, +6 °C, +5 °C, +4 °C, or +2 °C).
- If you continue to press the button, it will restart from +8 °C.

1.2.3 Super Freeze Mode

Purpose

- To freeze a large quantity of food that cannot fit on the fast freeze shelf.
- To freeze prepared foods.
- To freeze fresh food quickly to retain freshness.

How to use

To enable the super freeze mode, press and hold the freezer temperature setting button for 3 seconds. Once the super freeze mode has been set, the super freeze symbol on the indicator will be lit and the machine will beep to confirm the mode has been switched on.





353-373-383 INNER DISPLAY



Display and Control Panel

During Super Freeze Mode:

- The temperature of the Cooler may be adjusted. In this case, Super Freeze mode will continue.
- Economy mode cannot be selected.
- Super Freeze mode can be cancelled in the same way it is selected.

Notes:

- The maximum amount of fresh food (in kilograms) that can be frozen within 24 hours is shown on the appliance label.
- For optimal appliance performance in maximum freezer capacity, activate super freeze mode 3 hours before you put fresh food into the freezer.

Super freeze mode will automatically cancel after 24 hours or when the freezer sensor temperature drops below -32 °C.

Door Open Alarm Function

If cooler door is opened more than 2 minutes, appliance will give sound warning.

Demo Mode

This mode can be used to show functions & modes to customer or end-user without operating cooling components such as a compressor, fan etc.

While in the mode, you can do all the operations on the display as if the product is working. This includes all temperature settings and entry-exit operations for special modes such as holiday and economy mode. Interior lighting will continue to function in normal operation. Parts that provide only cooling functions will not operate.

Entering Demo mode:

Plug the product in. Set the cooler "02". After 25 seconds, press and hold the Cooler set button for 10 seconds. . Procedure must be completed within first 1 minute Then economy, super and economy symbol will blink during the demo mode.

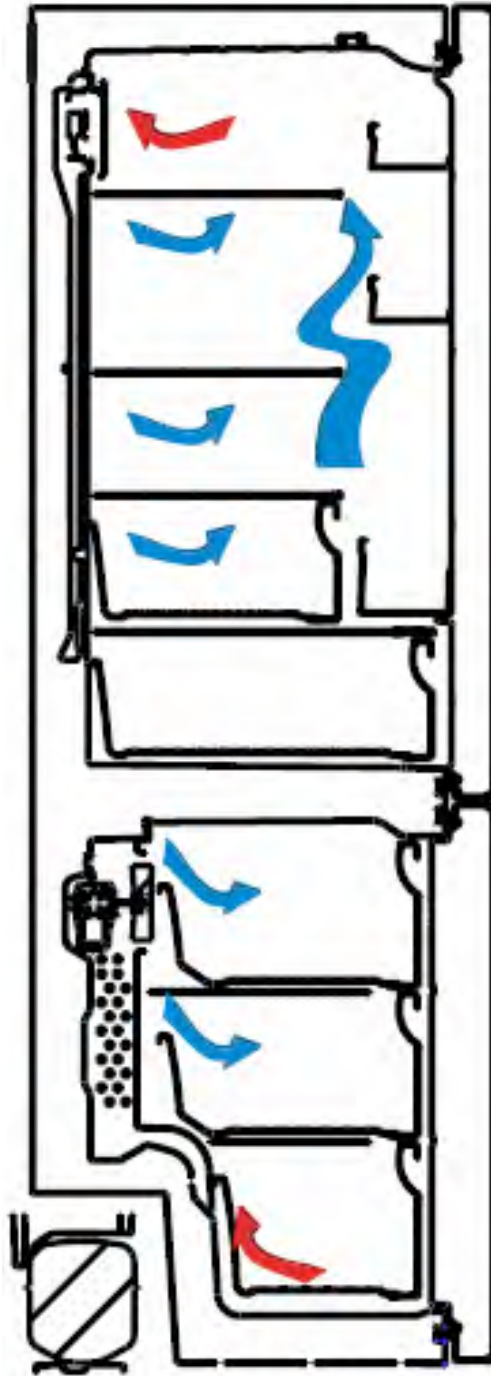
When appliance is in Demo mode; if plug is removed or there is an electricity breakdown; demo mode will continue with current settings after user plug into or electricity breakdown finish.



Canceling Demo mode:

For cancelling; Same operation will be used.

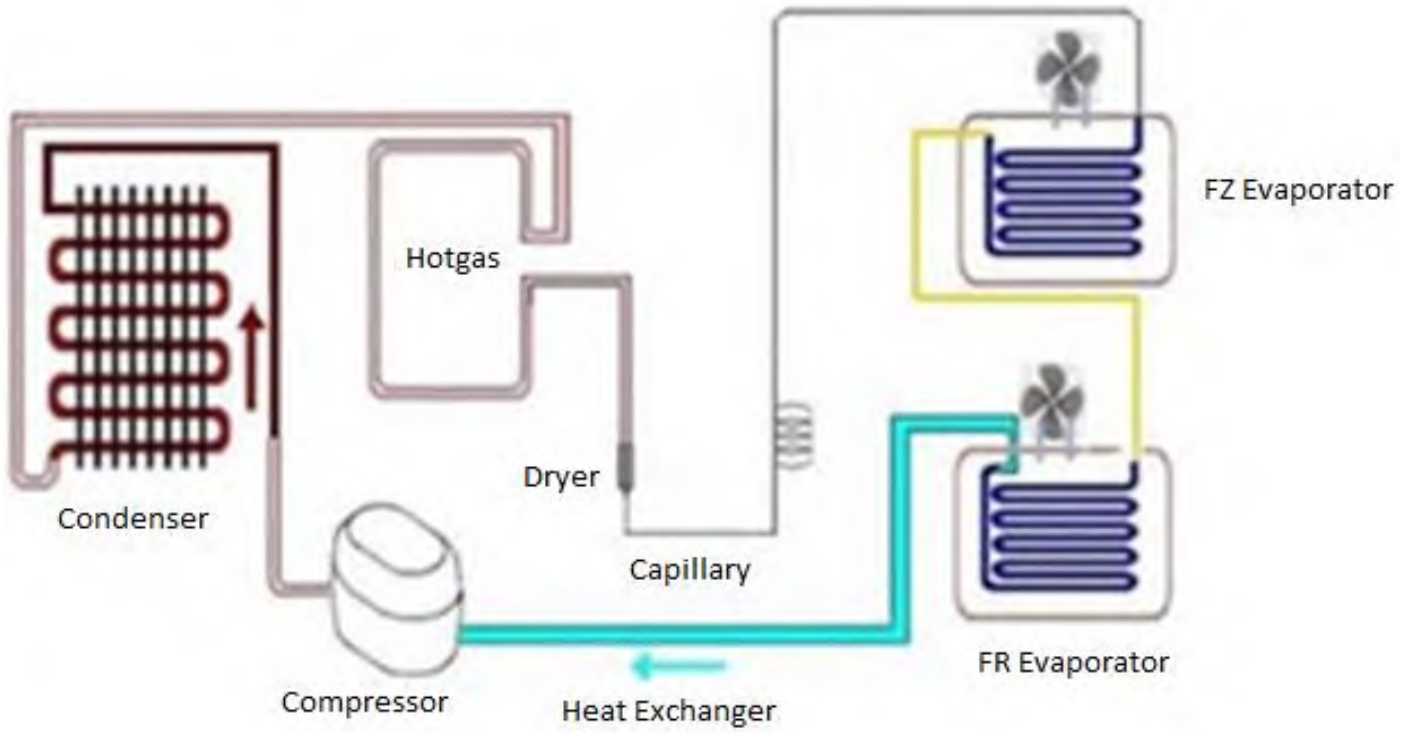
Air Flow Diagram



Cutaway view: Air Flow Direction

-  **Blown : Cold Air**
-  **Returned: Hot Air**

Refrigerant Cycle





353-373-383 INNER DISPLAY



Used Component

Resistance Values According To The Temperature Sensor (°C/Ohm Rates) (For The Freezer Defrost and The Cooler Ambient Sensor)

45 °C/1kΩ	-1 °C/6.2kΩ
35 °C/1.5kΩ	-3 °C/6.8kΩ
30 °C/1.8kΩ	-5 °C/7.5kΩ
25 °C/2.2kΩ	-7 °C/8.2kΩ
19 °C/2.7kΩ	-12 °C/10kΩ
14 °C/3.3kΩ	-15 °C/12kΩ
10 °C/3.9kΩ	-20 °C/15kΩ
5.5 °C/4.7kΩ	-24 °C/18kΩ
1.5 °C/5.6kΩ	-31.5 °C/27kΩ
0 °C/6kΩ	-35.5 °C/33kΩ

Sensor Resistance Values According To The Temperature (°C/Ohm Rates) (For The Cooler Defrost Sensor)

45 °C/2.15kΩ	-1 °C/17.1kΩ
35 °C/3.26kΩ	-3 °C/19kΩ
30 °C/4.02k5Ω	-5 °C/21.1kΩ
25 °C/5kΩ	-7 °C/23.5kΩ
19 °C/6.53kΩ	-12 °C/30.8kΩ
14 °C/8.23kΩ	-15 °C/36.5kΩ
10 °C/9.95kΩ	-20 °C/48.6kΩ
5.5 °C/12.3kΩ	-24 °C/61.5kΩ
1.5 °C/15kΩ	-31.5 °C/98kΩ
0 °C/16.3kΩ	-35.5 °C/12.6kΩ



353-373-383 INNER DISPLAY



Service Mode

Entering service mode :

After setting the cooler temperature to 8, push cooler set button for 10 seconds.

- If there is a faulty situation, error code will be observed on screen. Otherwise nothing will be on the screen. Only exclamation mark will be seen.
- Buzzer will sound beep every 5 sec during service mode.
- Alarm icon will light.

To cancel Service Mode : You can use same method as entering the Service Mode.(Push cooler set button button for 10 seconds)



SERVICE FUNCTIONS

STARTING (TESTING) MODE

In this mode, components will start running for short time. Meanwhile, can be checked with tools(Power Monitor, Multimeter etc) and visually.

Eco icon will light.

Appliance will start the check components in order below.

- "2" defrost heater for **5 sec**
- "3" for refrigerator defrost heater for **5 sec**
- "4" for cooler fan for **5 sec**
- "5" for freezer fan for **5 sec**
- "6" for condenser fan (**if available**) for **5 sec**
- "11" for ioniser (**if available**) for **5 sec**
- "7" for led light for **5 sec**
- "1" for compressor for **5 sec**

Eco icon will disappear after starting test finishes and then display returns to initial service mode

MANUAL DEFROST

Extra Freeze icon will light.

Defrost process can be finished manually or it will end automatically when sensor value reach 8°C

Defrost might be finished manually by using the cooler set button.
Holiday icon will disappear and display will return to service mode.

CURRENT TEMPERATURE VALUES INDICATOR

In this function temperature values of sensors can be seen.
(Extra Freeze and Economy symbols will light together)
Sensor type can be switched by pushing freezer set button.

	Cooler Indicator	Freezer Indicator	
Press Cooler Set Button Three Times	1	Temperature value of Freezer air sensor	
	2	Temperature value of Cooler air sensor	
	3	Temperature value of FZ Evaporator sensor	
	4	Temperature value of Ambient Temperature sensor	
	5	Temperature value of FR Evaporator air sensor	

By pushing cooler set button this mode can be turned off.

Extra Freeze and economy icons will disappear and display will return to service mode screen



353-373-383 INNER DISPLAY

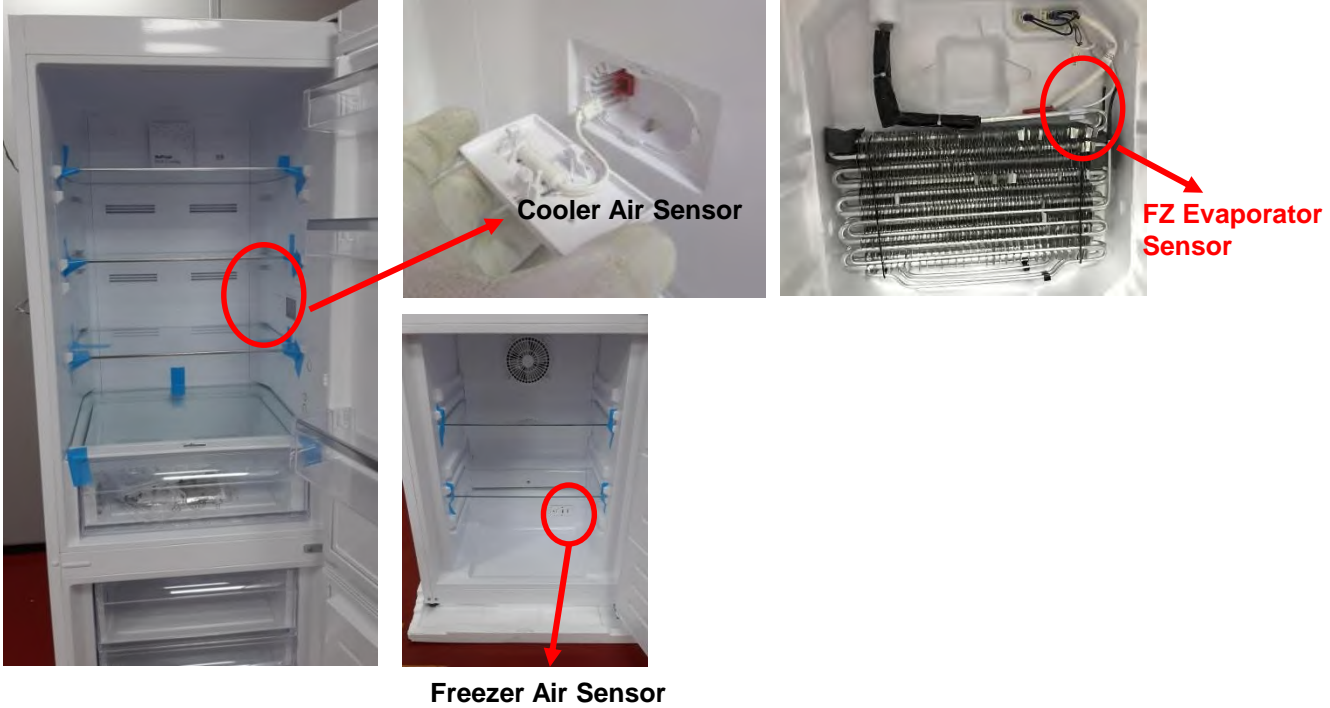


User and Service Mode Error Message

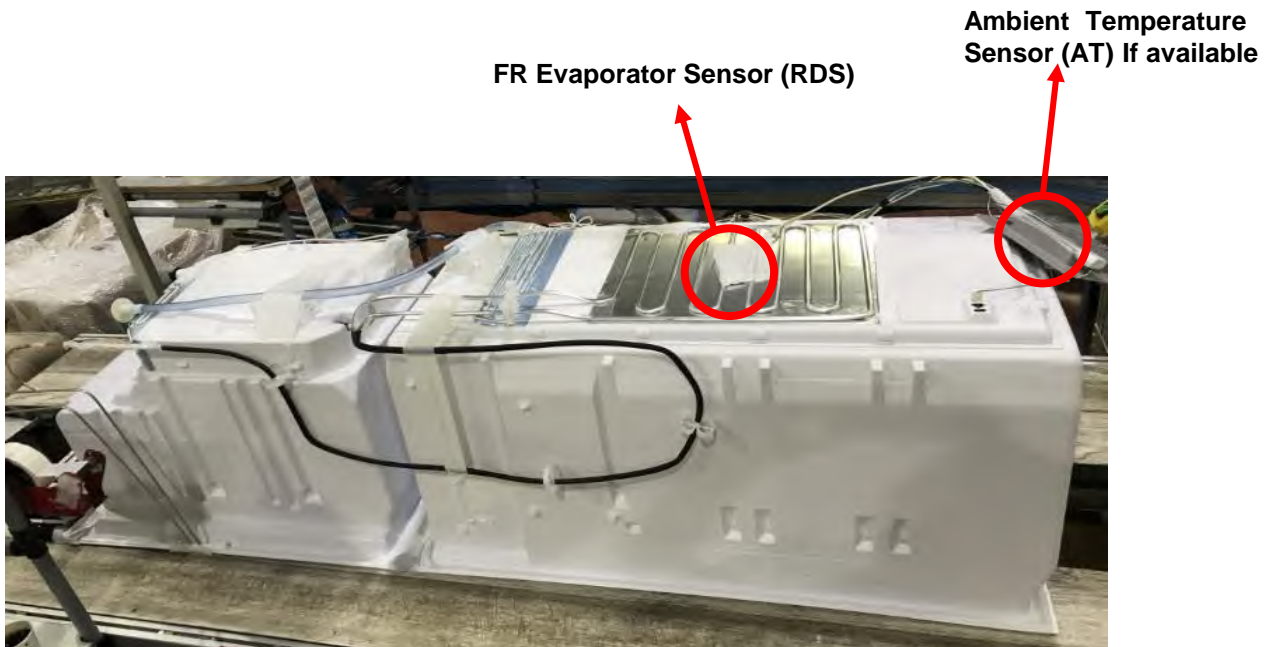
DEFECT TYPE	FREEZER DISPLAY	COOLER DISPLAY
Freezer Air Sensor (Short-Open)	E	01
Cooler Air Sensor (Short-Open)	E	02
FZ Evaporator (Defrost) Sensor (Short-Open)	E	03
Ambient Temperature Sensor	E	04
FR Evaporator Sensor (RDS)	E	05
Compressor Defect	E	06
Defrost Heater Defect	E	07
Low Voltage	E	08
Hight Temperature (Freezer)	E	09
Hight Temperature (Fridge-Cooler)	E	10
High Cooling	E	11

Sensor Positions

Cooler, freezer and defrost sensors are interchangeable.



RDS and AT sensors which located at the foamed body, are not accessible components.





NTC Sensor

There are three types of sensors. They are cooler, freezer defrost, cooler defrost sensors. Cooler and freezer defrost sensors have the same features but their cable length is different. The resistance values of all sensors decrease when the temperature values of the sensors increase. For example, the resistance value that is 33 kΩ in the -35.5 °C goes down to 1kΩ in the 45 °C and therefore the ambient temperature should be considered while the sensor is being checked. If the ambient temperature is 25 °C, the measuring device shows about 2.2kΩ (if ntc sensor is steady).

When the refrigerator works on first time;

If the cooler compartment defrost sensor and the freezer compartment defrost sensor are hotter than -5°C, the test system works automatically. These below components are tested automatically every 5 seconds.

- ❖The compressor and freezer fan motor starts and stops after 5 seconds.
- ❖The defrost resistance starts and stops after 5 seconds.
- ❖The cooler defrost resistance starts and stops after 5 seconds.
- ❖The DC Radial Fan starts and stops after 5 seconds.

After these steps, the system waits 5 minutes and then it will switch normal mod.

Freezer Defrost Program

- According to the conditions of usage, the defrost might be activated after the min compressor running time; 8 hours or max total time; 55 hours. Below matters are also effected;
- Consisted ice amount,
- Door open-close,
- Sudden usage variance,
- Cooler sudden temperature rise,

Cooler Defrost Program

The cooler defrost and the freezer defrost are operated parallel except those below. If the cooler defrost sensor does not feel 5°C three times during a particular period of time.

- Defrost will be activated after the refrigerator works max 9 hours. According to the conditions of usage, the defrost might be activated (due to mentioned those below) after the compressor works min 5 hours.
- Consisted ice amount,
- Door open-close,
- Sudden usage variance,
- Cooler sudden temperature rise,



353-373-383 INNER DISPLAY



Special Programs

Freezer Defrosting Time

The Defrost is disabled when the defrost sensor temperature feels 8°C. If defrost time passes 37 minutes, defrost completing temperature will be rise to 15°C.

Cooler Defrosting Time

The cooler defrost and the freezer defrost are operated parallel except those below. The cooler defrost will not work if the freezer defrost stops.

The defrost process stops when the defrost sensor temperature feels 7°C. At the low ambient temperature or when the compressor stops; to balance, defrost stops when the defrost sensor temperature feels 15°C. But if the defrost time or the compressor stopping time goes over 6 hours, the resistance will be stopped.

Compressor delay: First, the defrost process ends, the system waits 5 minutes, just after that the compressor is active.

In Case of Power Cut

- All regulated parameters and functions are kept in memory when the power cut.
- When the electricity comes, if the defrost sensor temperature is lower than -5 °C the compressor works 5 minutes later. If it is higher than -5 °C.

Other Features

Warnings : The door open warning is active 2 minutes later and it alarms.

Door Direction : It is possible to reverse the door.

Gasket : It is possible to change the gasket.



353-373-383 INNER DISPLAY

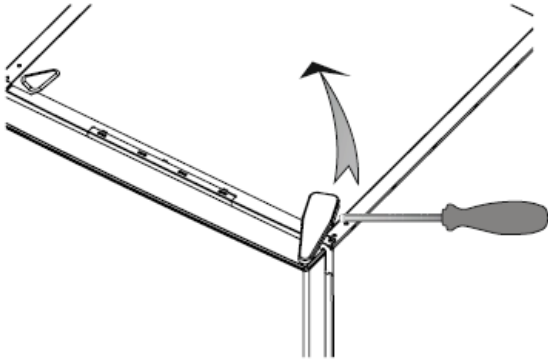


Probable Faults

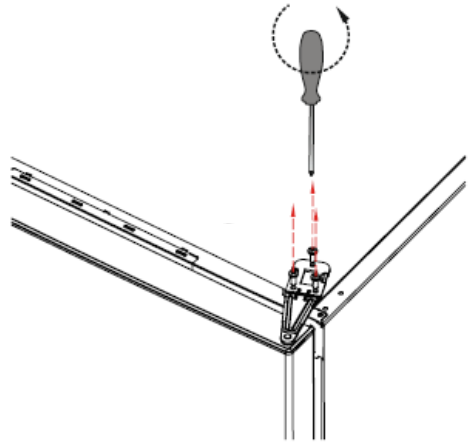
Unsufficient cooling	Is the appliance too close to wall or heat sources (stove, central heating, oven, cooker etc.)?	It should be placed min 50cm distance from heat sources and min 5 cm from electrical ovens.
	Is the ambient temperature high?	Raise the thermostat value.
	Check whether putting the hot foods in the refrigerator?	Put the foods after get cold.
	Is there any gas leakage in refrigerant system?	Check all welding points in the system.
The foods in the cooler compartment are freezing.	Were the foods placed close to cooling air outlet?	Please do not block air outlets
	Is the cooler thermostat value high ? Is there any hot foods close to the cooler sensor?	Decrease the cooler thermostat value and do not put hot things close to the sensor.
Are there any sweating or icing?	Were the liquid foods in the closed containers?	Put the liquid foods into the closed containers.
	Were the hot foods put into the refrigerator?	Put it into after getting cold.
	Was the refrigerator door opened?	Do not leave the refrigerator door open and do not often open or close.
Abnormal Noise	Is the appliance on the flat surface?	The floor should be straight and balance the refrigerator with the help of the adjustable feet.
	Is the compressor feet loose	Fix it.
	Is the condenser or fan stationary normal?	Fix it.
	Do the capillary tube or all other tubes touch any where?	Fix it.

Changing The Door Swing Direction to Right Hand

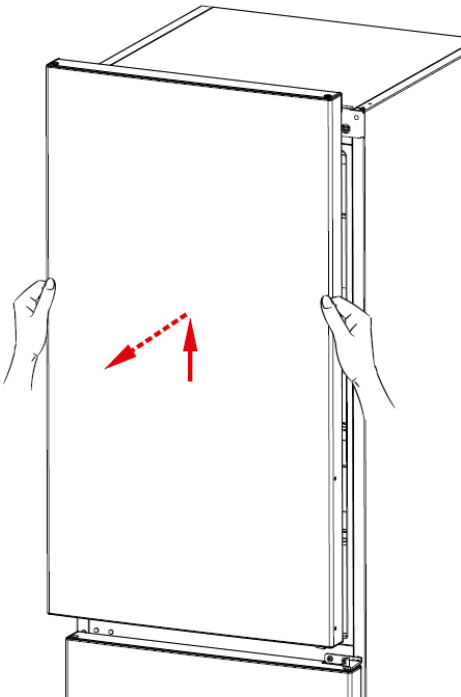
Hold the top hinge cover and remove it toward that direction.



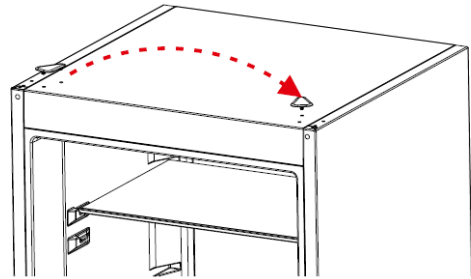
Unscrew the screws fixing the top hinge and remove it.



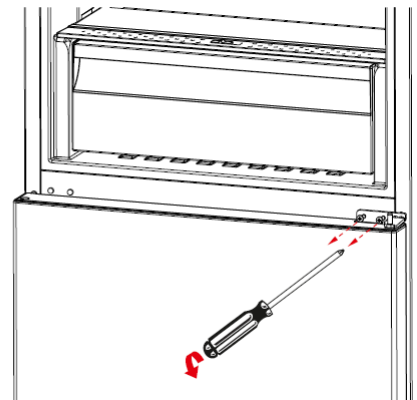
Displace the top door.



Remove the hinge cover cap and assembly right side.

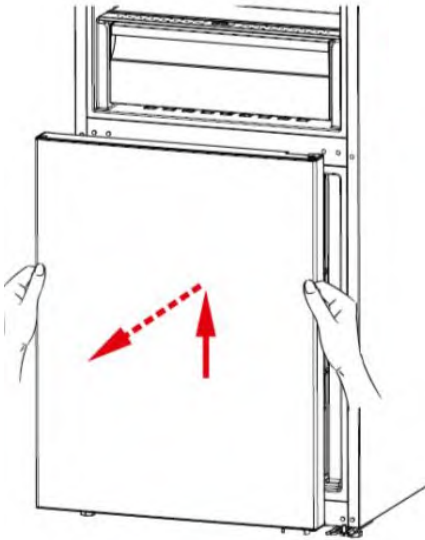


Unscrew the two screws fixing the middle hinge and remove it.

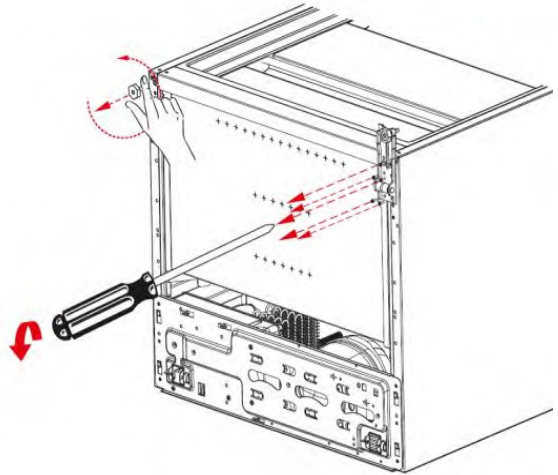


Changing The Door Swing Direction to Right Hand

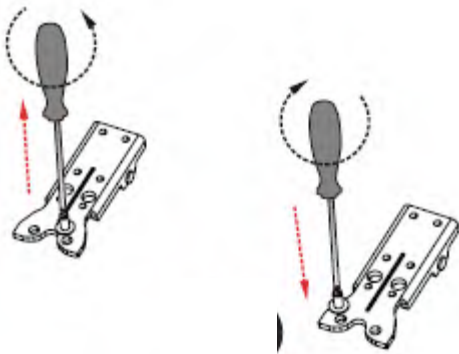
Displace the bottom door.



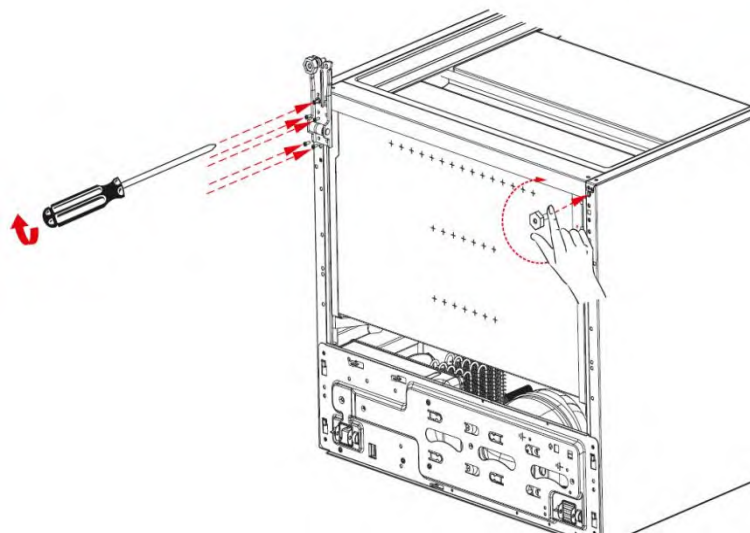
Unscrew the bottom hinge screws.
Unscrew the adjustable foot.



Unscrew the bottom hinge pin and
screw it to other hole.

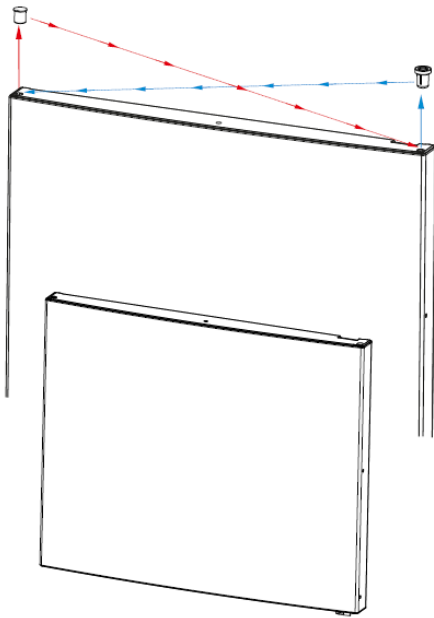


Screw the bottom hinge to the left bottom
side of refrigerator. Screw the adjustable
foot there.

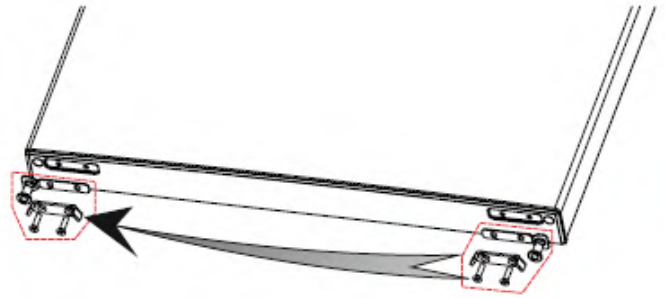


Changing The Door Swing Direction to Right Hand

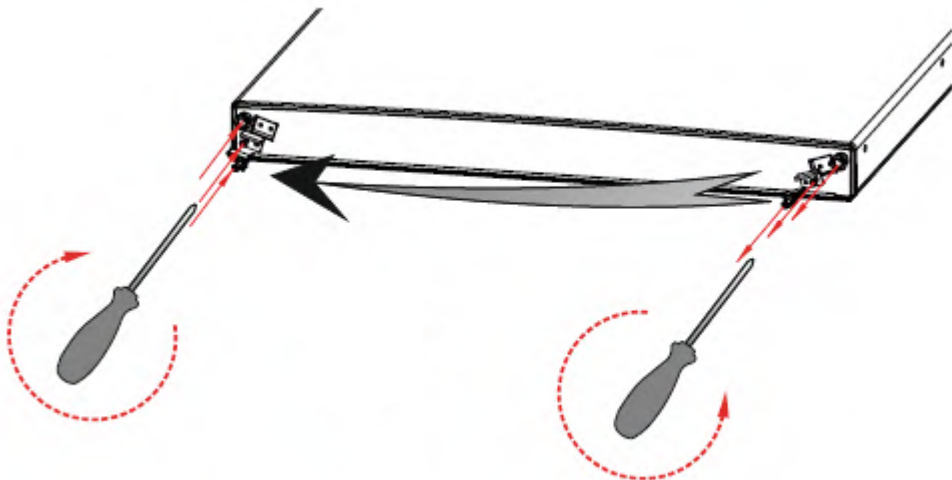
Replace the top bushing and the top bushing cap at the bottom door.



Unscrew the two screws fixing stopper and stopper support plate under the bottom door. After that screw the other side.



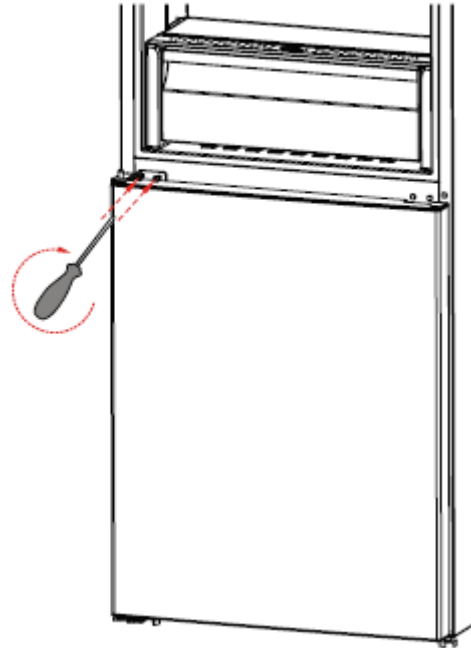
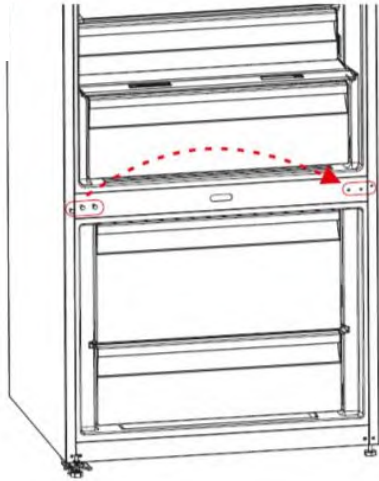
Remove the support plastic and then metal stopper placed under the upper door. Then re screw these parts to the other side symmetrically. (remember the screw for the metal part must be screwed to the hole which is closer to the bushing). Do not use cordless screwdriver for these screws.



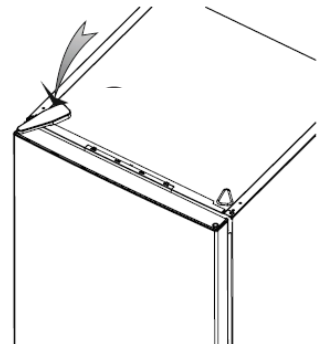
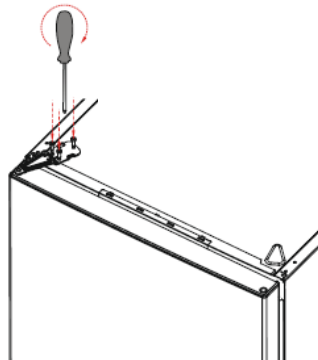
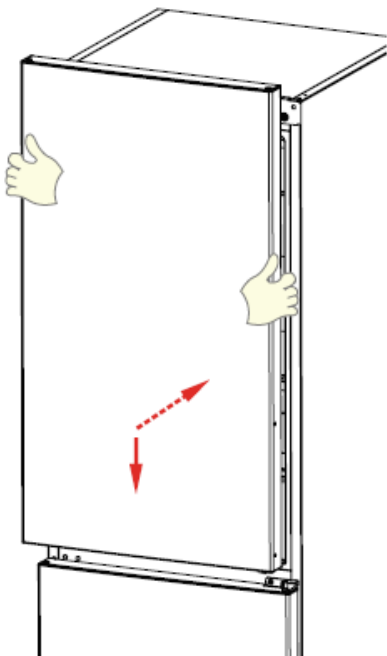
Changing The Door Swing Direction to Right Hand

Remove the middle hinge cover and then screw the screw on the side panel and assemble to the right side panel

Place the bottom door and rotate the middle hinge by 180°. After that, screw to the right side on the middle sheet.



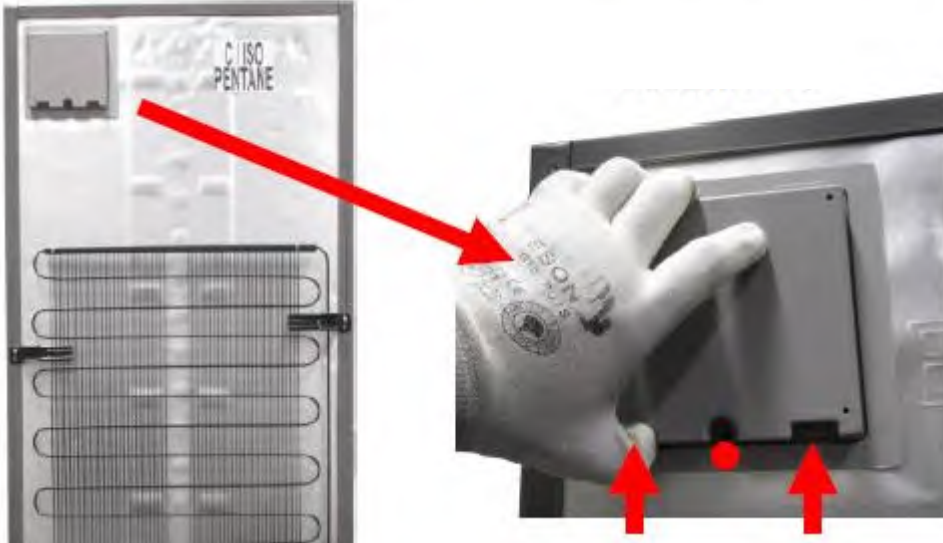
Place the top door to the middle hinge and then connect the display connector and screw the top hinge to the top panel. Place the top hinge cover.





CAUTION: The plug must be pulled out before the mainboard group is removed.

Unscrew the screws which are fixing the main board cover.



Pull the mainboard slightly forward and disconnect all the connectors and then replace it. Finally, place the mainboard cover and screw it.



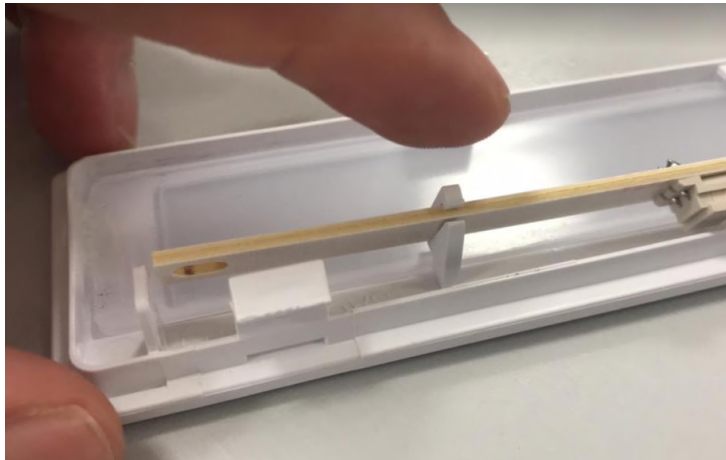
Side Led Version

Disassemble the led cover by screwdriver from the short edge.

Take off the socket.

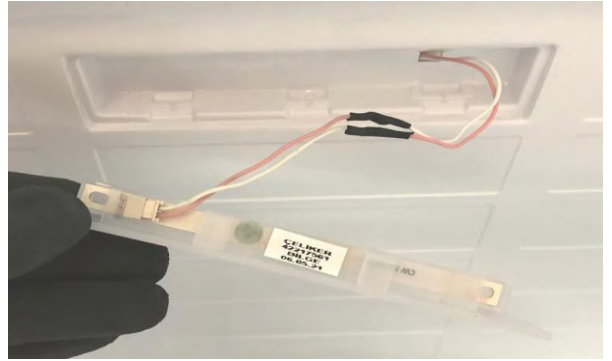


Remove the led by pulling 3 snap-fits.



Top Led Version

Remove the led cover by pulling forward and disconnect the connector.



Removing The Cooler Multi Flow

Remove the cooler glass shelves and the chiller.



Remove the screw caps by using a flat screwdriver and screw the screws.



Flex the multi flow by holding the fan cover and remove it.

Note: Please remove the multi flow slowly. Fan cable can get damaged.

Disconnect the connector after removing the multi flow.



Remove the fan cover by flexing the fan cover detail and then remove the fan motor by flexing the fan motor rubbers.



Place the rubbers to the fan motor. After that, first place the bottom two details of the fan motor and place the top two details by pressing-flexing it.

Note : *The fan motor cable outlet should be at the top-left corner of it.*

After the connector is connected, place it by flexing it and then reassemble the multi flow by screwing.



Replacement of Refrigerator & Freezer Sensor

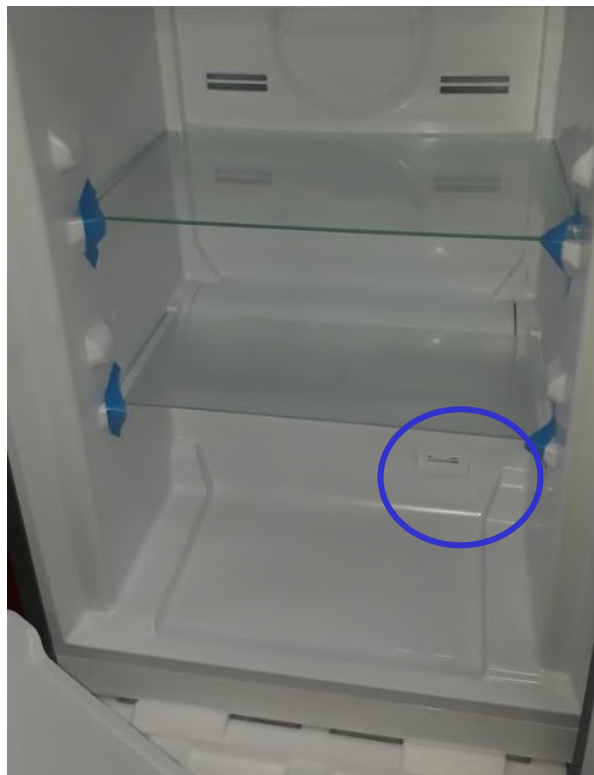
Remove the sensor cover by pulling forward and disconnect sensor connector.

Refrigerator Sensor



Removing Freezer Sensor

Remove the sensor cover with the help of a screwdriver and then disconnect the sensor connector.



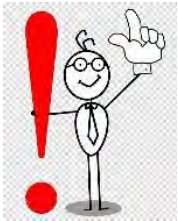
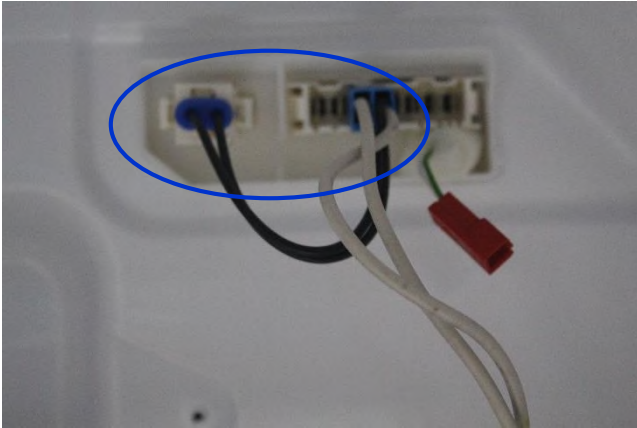
Removing The Freezer Multi Flow Group

- Displace the glass shelves and baskets if there is.
- Unscrew the screw fixing the multiflow group.
- Removing the freezer bottom cover by flexing back side of it.
- Remove the fan motor connector.



Remove the fin evaporator resistance connectors from the sockets.
(**blue** connector)

Displace the fin evaporator balanced by holding on both sides.

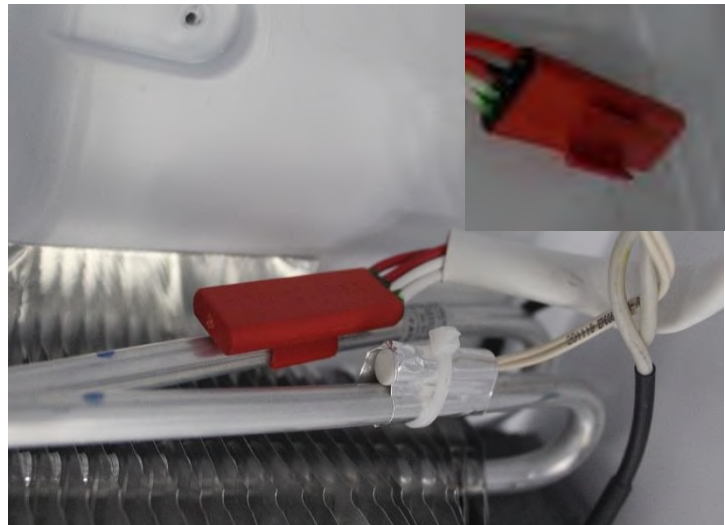
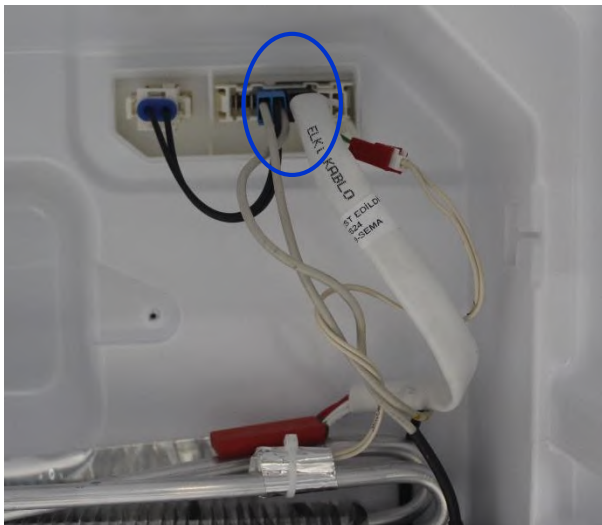


The fin evaporator should not be pulled upward-downward. Otherwise, the fin evaporator fixing plastics might be broken.

Removing The Thermal Fuse

Remove the thermal fuse connector.
(**black-white** connector)

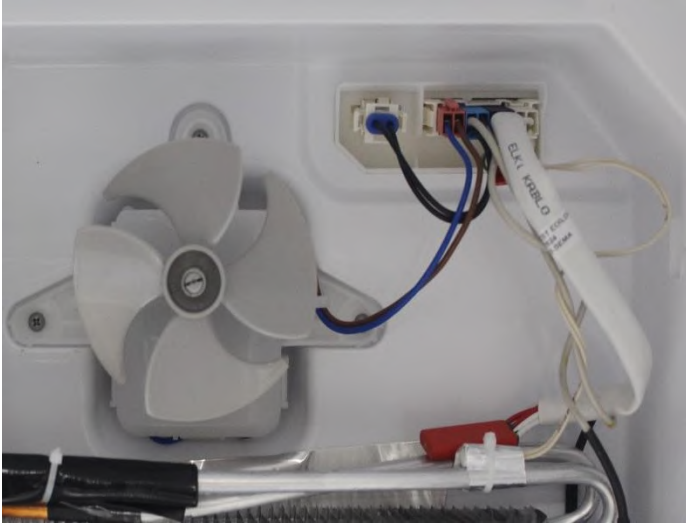
Thermal fuse has two details. These details hold on to the pipe.
It could be removed easily.



Removing The Freezer Fan Motor (Axial)

Remove the fan motor connector. (pink)

Unscrew the fan motor fixing screws and displace the fan motor.



Remove the propeller.



Removing The Freezer Fan Motor (Radyal)

Unscrew the air multiflow plastic.

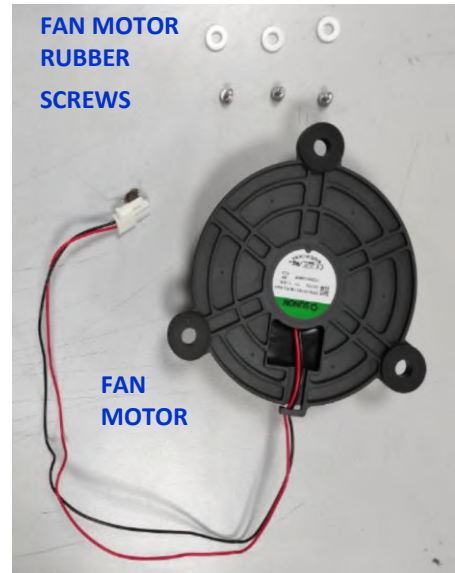
When removing the air duct plastic, pay attention to the connection of the fan socket cable.

Remove the fan motor connector. (White socket on the left)



Unscrew the fan cover plastic on the fan motor.

Unscrew the fan motor fixing screws and displace the fan motor.



Removing Fin Evaporator Sensor

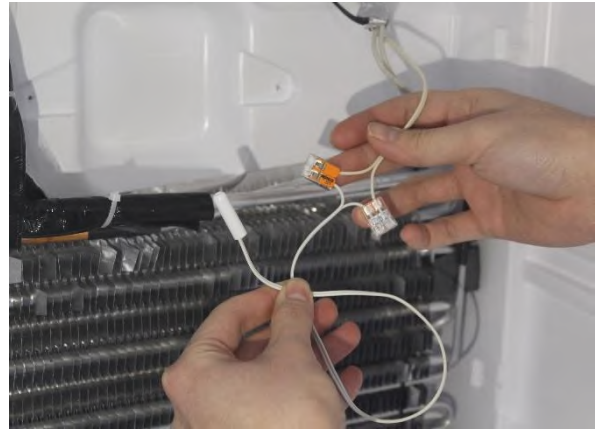
Displace the defrost sensor from its location. Cut the end of the sensor cable by using pliers/side cutting pliers.

Connect the cut sensor cable ends to each other as separate clips.

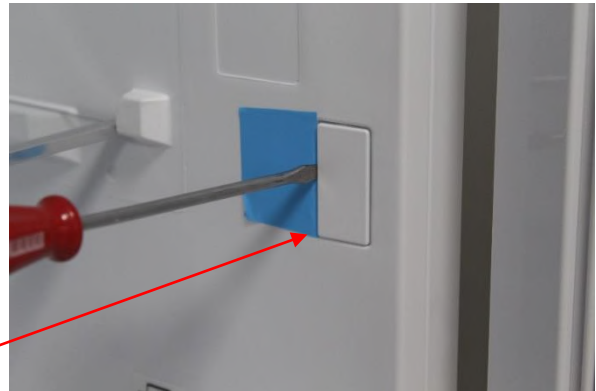
Immobilize the sensor resistance's end its previous position by using cable bant.

In order to prevent oxidation on the metal end of clips. You can use paste which is founded in kit.

Excessive part of the cable should not be left scattered in order not entanglement on the fan motor. It should be fixed with a separate cable bant.

**32030727 - SENSOR SERVICE KIT**

Removing/Assembling The Reed Switch



Stick a tape to protect plastic. Insert a flat screwdriver into the gap and remove the reed switch.



NOTE: Reed Switch is a very sensitive miniature electronic card. So during the assembly and disassembly be careful not to damage it. During the disassembly of the reed switch, there is a step on the edge of the plastic part which provides easier disassembly and by that tool it can be taken out from the same place every time.

It must be assembled as this step should be in the invisible (inside of the refrigerator) part. Otherwise the distance which the lamp turns on/off may change.

After the assembly or replacement the service should check if the reed switch is damaged by giving energy and opening and closing the door.

CAUTION: The plug must be pulled out before the display is removed.

1. The display can be removed with the help of a horizontal brace or a spatula. Avoid screwdriver etc. in display disassembly which will apply pressure to the liner plastic on single point. This will damage the liner. By placing the spatula near the door side of the refrigerator between the display and the housing in the body. Remove it from its slot.



2. The display tabs are fixed (B) at the bottom and flexible (A) near the door side of the refrigerator.



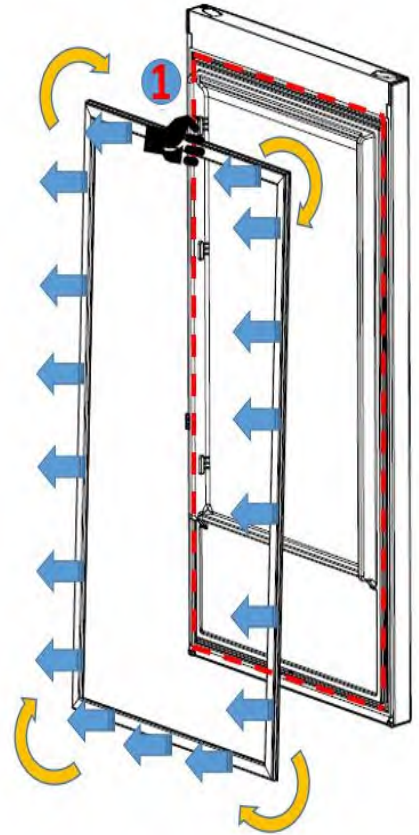
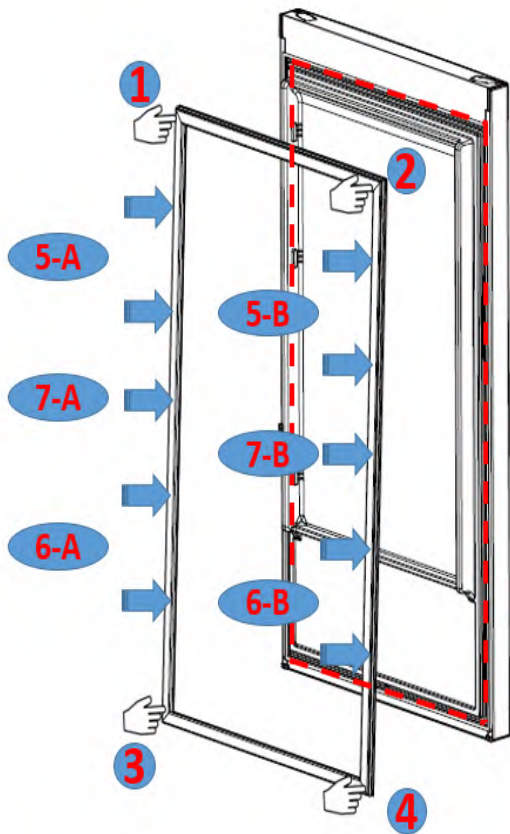
3. Unplug the cable connector on the display board and remove the display assembly.



Removing- Assembling The Door Gasket

Pull the gasket towards starting from top right corner
 Slowly pull the rest of the gasket.
 Completely remove the gaskets from bottom and upper doors.

Check the replacement gasket form
 Starting with upper right corner, press on the gasket until it fits to its place..
 Place the other sides of the gasket with the help of your thumb



Please follow below order for pulling the gasket out to remove it properly

1 → 2 → 3 → 4 → 5A → 5B → 6A → 6B

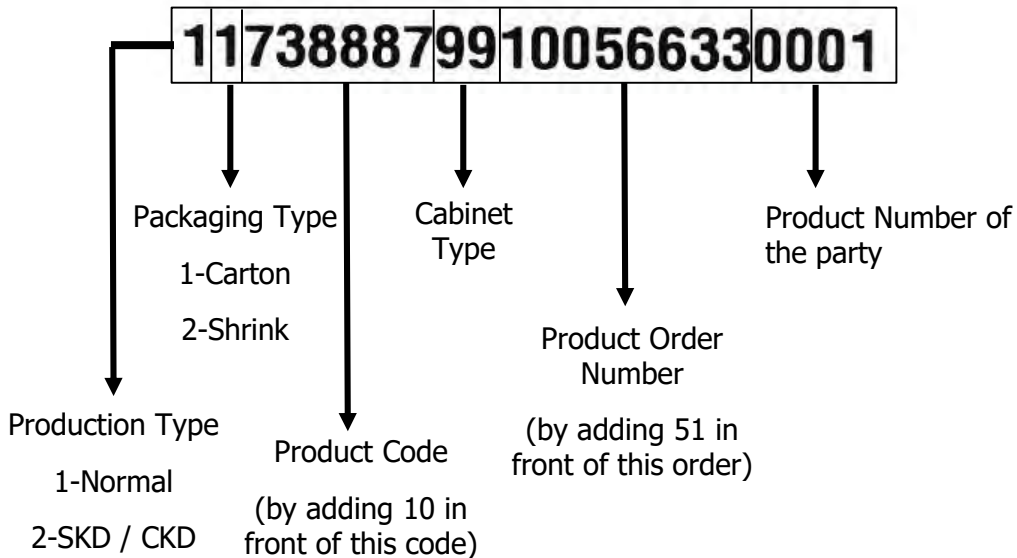
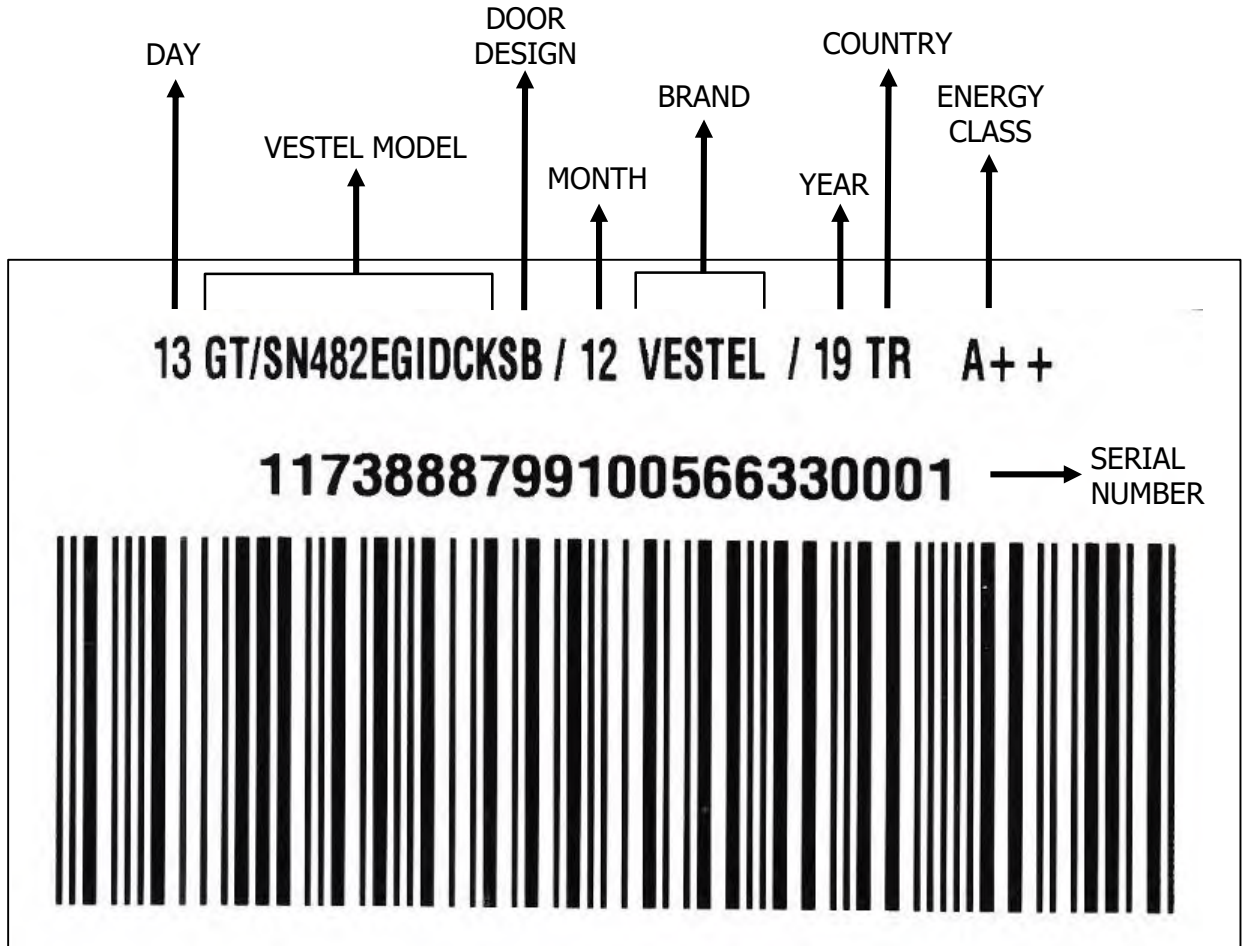


353-373-383 INNER DISPLAY



Barcode and Serial Number Explanation:

Vestel refrigerator serial numbers are consist of 22 digits.



Exp:10738887