

### Using the Control Panel

1. Freezer temperature setting.
2. Super Freeze mode indicator
3. Fridge temperature setting
4. Super Cooling mode indicator
5. Holiday mode indicator
6. Eco mode indicator
7. Alarm indicator
8. Child Lock mode indicator
9. Screen selector
10. Decrease value
11. Increase value
12. Mode Selector
13. Child Lock Selector

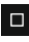
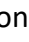

## Super freeze mode



### Purpose

- To freeze a large quantity of food that cannot fit on the fast freeze shelf.
- To freeze prepared foods.
- To freeze fresh food quickly to retain freshness.

### How to use

- Press  icon (#9 on control panel diagram), until the 'Freezer temperature setting' is selected (#1).
- Once Freezer temperature setting is selected, the temperature will flash.
- Press  the icon (#10) repeatedly until the 'Super Freeze logo appears'  in the top left corner (#2)
- Once the Super Freeze mode has been set, the machine will beep to confirm the mode has been switched on.
- After the beep the original temperature of the freezer will appear on screen.
- Mode can be cancelled by repeating the above instructions from the beginning.

### During this mode:


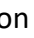

- Temperature of the fridge compartment may be adjusted, this will not impact Super Freeze Mode.
- Economy and holiday mode cannot be selected whilst Super Freeze is active.

## Super cool mode

### Purpose

- To cool and store a large quantity of food in the fridge compartment.
- To quickly cool drinks.

### How to use

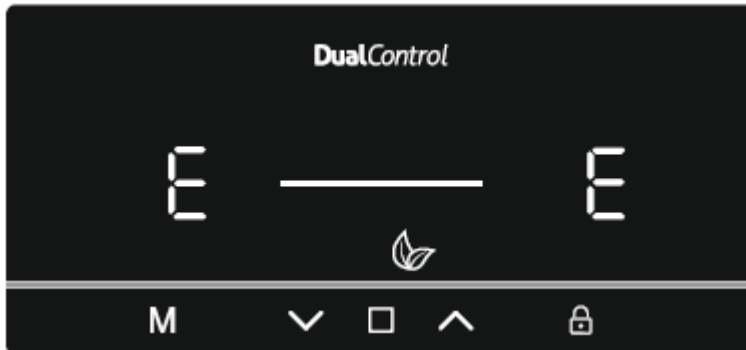
- Press  icon (#9 on control panel diagram), until the 'Fridge temperature setting' is selected (#1).
- Once fridge temperature setting is selected, the temperature will flash.
- Press the  icon (#10) repeatedly until the 'Super Cool logo appears'  in the top right corner (#4)
- Once the Super Cool mode has been set, the machine will beep to confirm the mode has been switched on.
- After the beep the last temperature of the fridge will appear on screen.
- Mode can be cancelled by repeating the above instructions from the beginning.



### During this mode:

- Temperature of the freezer compartment may be adjusted, this will not impact Super Cool Mode.
- Economy and holiday mode cannot be selected whilst Super Cool is active.


## Economy Mode



### Purpose

Energy savings. During periods of less frequent use (door opening) or absence from home, such as a holiday, Eco program can provide optimum temperature whilst saving power.

### How to Use

- Press **M** icon (#12 on control panel diagram), until the 'Eco Mode'  icon appears (#6).

- Once the 'Eco mode' has been set, the machine will beep to confirm the mode has been switched on.
- After the beep the both the fridge and freezer temperature setting (#1 and #3) will display an 'E'.
- Eco Mode can be cancelled by pressing the **M** icon (#12).

### During this mode:


- The freezer and fridge temperature may be adjusted however the adjustment will not be made until Eco Mode is cancelled. When economy mode is cancelled, the selected setting values will be activated and the temperature(s) will be adjusted.
- Super Cool or Super Freeze mode can be selected, however by selecting either modes Eco Mode is cancelled immediately.
- Holiday mode can only be selected after cancelling the economy mode.

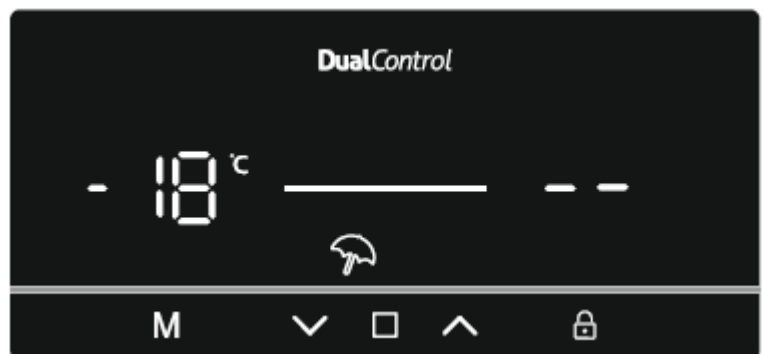
## Holiday Mode

### Purpose

Holiday mode is to be used if the device is to be left for an extended period. During Holiday mode only the freezer compartment remains active.

### How to Use

- Press **M** icon (#12 on control panel diagram), until the 'Holiday Mode' icon  appears (#5).



- Once the 'Holiday mode' has been set, the machine will beep to confirm the mode has been switched on.
- After the beep the fridge will display '--' and the freezer will display the -18 oC set temperature.
- Holiday Mode can be cancelled by pressing the **M** icon (#12).

### During this mode:

- Freezer and fridge temperature may be adjusted however the adjustment will not be made until Holiday Mode is cancelled. When Holiday mode is cancelled, the selected setting values will be activated and the temperature(s) will be adjusted.
- Super Cool or Super Freeze mode can be selected, however by selecting either modes Holiday Mode is cancelled immediately.
- Eco Mode can only be selected after Holiday mode has been cancelled.

## Drink Cool Mode



### Purpose

This mode is used to cool drinks within an adjustable time frame.

### How to Use

- Press **M** icon (#12) and **□** (#9) icons simultaneously for five seconds.
- The cooler temperature set indicator will start showing '05'. This value will flash on screen

- Users can either press **▼** or **▲** buttons to adjust the time period (05, 10, 15, 20, 25 or 30 minutes)
- When you select the time the numbers will blink 3 times on screen and sound beep beep. If the user do not press any button within 2 seconds the time will be set.
- The machine will then set the time, the remaining time will be shown on screen
- Once the total time has elapsed, an alarm will sound
- Cool Drink Mode can be cancelled by following pressing the **M** icon (#12) and **□** (#9) icons simultaneously for five seconds.

### During this mode:

- When drink cool and child lock modes are active, the child lock mode must be cancelled in order to stop the alarm sound
- While using this mode, you must regularly check the temperature of the bottles. When the bottles are cool enough, you must take them out of the appliance.
- Bottles can explode if left in the appliance for too long with drink cool mode active.

## Screen Saver Mode

### Purpose

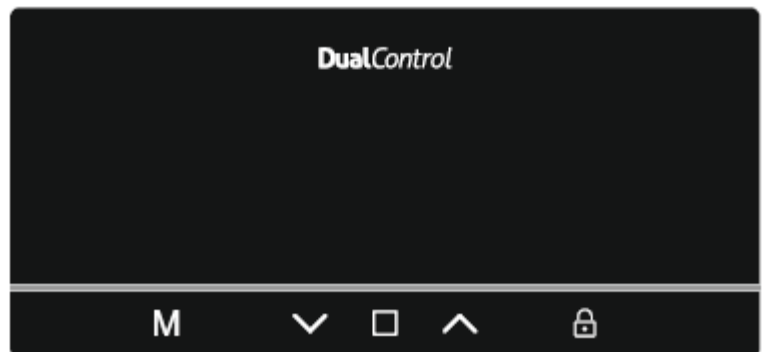
This mode saves energy by switching off all control panel lighting when the panel is left inactive.

### How to Use

- Screen saver mode will be activated automatically after 30 seconds.
- If you press any key while the lighting of the control panel is off, the current machine settings will reappear on the display to let you make any change you wish.
- If you do not cancel the screen saving mode or press any key for 30 seconds, control panel will remain off.

### To deactivate the screen saving mode,

- To cancel the screen saving mode, first of all, you need to press any key to activate the keys and then press and hold the Mode button "**M**" (#12) for 3 seconds.
- To reactivate screen saving mode, press and hold the mode button "**M**" (#12) for 3 seconds.




## Child Lock




### Purpose

Child lock can be activated to prevent any accidental or unintentional changes being made to the appliance settings.

### Activating Child Lock

Press and hold child lock button  (#13) for 5 seconds.

### Cancelling Child Lock

Press and child lock button  (#13) for 5 seconds.

## Door Open Alarm Function

If the fridge door is left open for more than 2 minutes, the appliance will beep.

## Demo Mode

This mode will be use for only sales points by salesman to show functions & modes to customer without operating components as a compressor, fan, motor..Etc.

### Entering Demo mode:

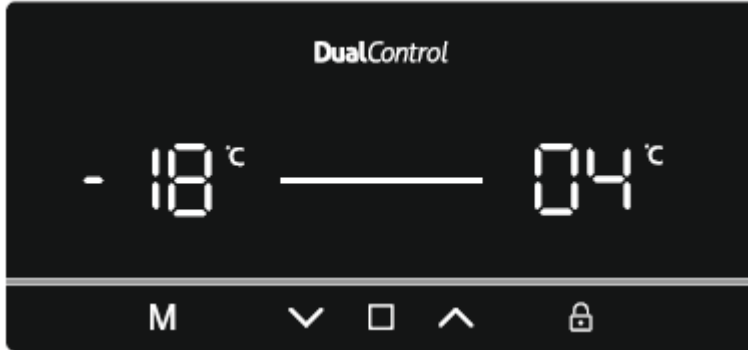
- Firstly the power is on , secondly within 1 minute user will push mode & child lock button at the same time , Then appliance will go on «dE» and «On» every 10 seconds this operations will occur.
- All functions can be adjusted to show how they are adjusted to the customer.



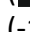
### Canceling Demo mode:

For cancelling; Same operation will be used. If user will push mode & child lock button at the same time, demo function will be cancelled.

When appliance is Demo mode; if plug is removed or there is an electricity breakdown; demo mode will continue with current settings after user plug into or electricity breakdown finish.

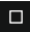


### Freezer temperature settings



- Press  icon (#9 on control panel diagram), until the 'Freezer temperature setting' is selected (#1).
- Once Freezer temperature setting is selected, the temperature will flash.
- Users can then use the up or down arrow ( / ) to set the temperature (-16, -18, -20, -22, -24°C and Super Freeze Mode).

- If Super Freeze mode or Eco mode is activated, the temperature will not change until the mode is cancelled.

### Cooler temperature settings

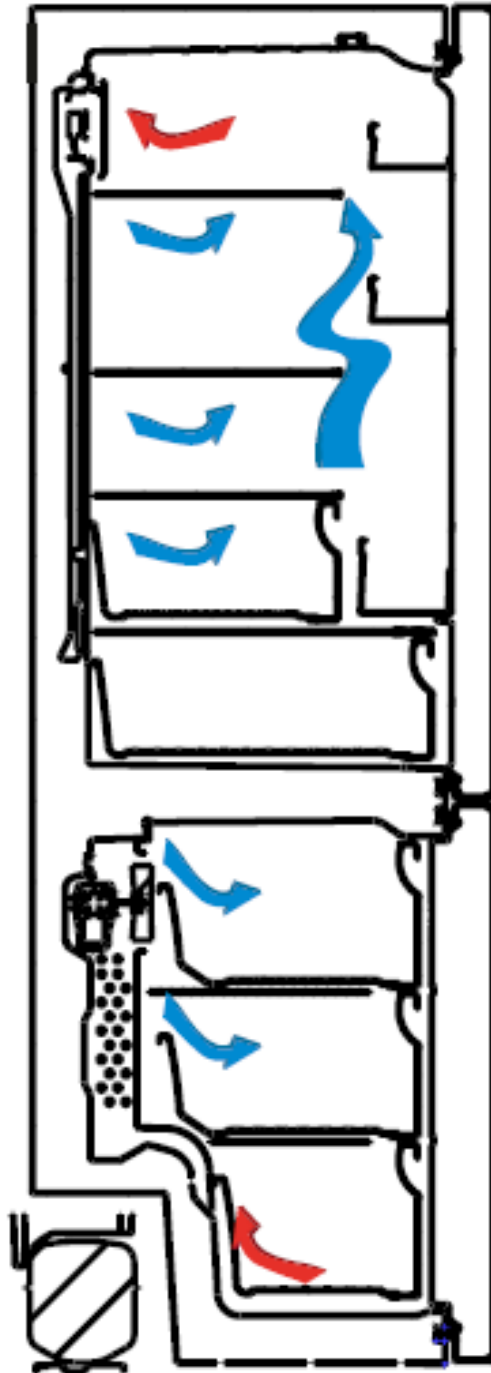
- Press  icon (#9 on control panel diagram), until the 'Fridge temperature setting' is selected (#1).
- Once Fridge temperature setting is selected, the temperature will flash.
- Users can then use the up or down arrow ( / ) to set the temperature (8, 6, 5, 4, 2°C and Super Cool Mode).
- If Super Freeze mode or Eco mode is activated, the temperature will not change until the mode is cancelled.

### Warnings about Temperature Adjustments

- It is not recommended that you operate your fridge in environments colder than 10°C.
- Temperature adjustments should be made according to the frequency of door openings, the quantity of food kept inside the fridge and ambient temperature of the placement of your fridge.
- Your fridge should be operated up to 24 hours according to the ambient temperature without interruption after being plugged in, this is so it is completely cooled. Do not open the doors of your fridge and do not place food inside it during this period.
- A 5 minute delay function is applied to prevent damage to the compressor of your fridge, when you take the plug out and then plug it back in again after an energy breakdown has occurred. Your fridge will start to operate normally after 5 minutes.
- Your fridge is designed to operate in the ambient temperature intervals stated in the standards, According to the climate class stated in the information label. We do not recommend operating your fridge out of the stated temperatures value limits in terms of cooling effectiveness.
- This appliance is designed for use at an ambient temperature within the 10°C - 43°C range

Climate Class	Ambient Temperature °C
T	Between 16 and 43 (°C)
ST	Between 16 and 38 (°C)
N	Between 16 and 32 (°C)
SN	Between 10 and 32 (°C)

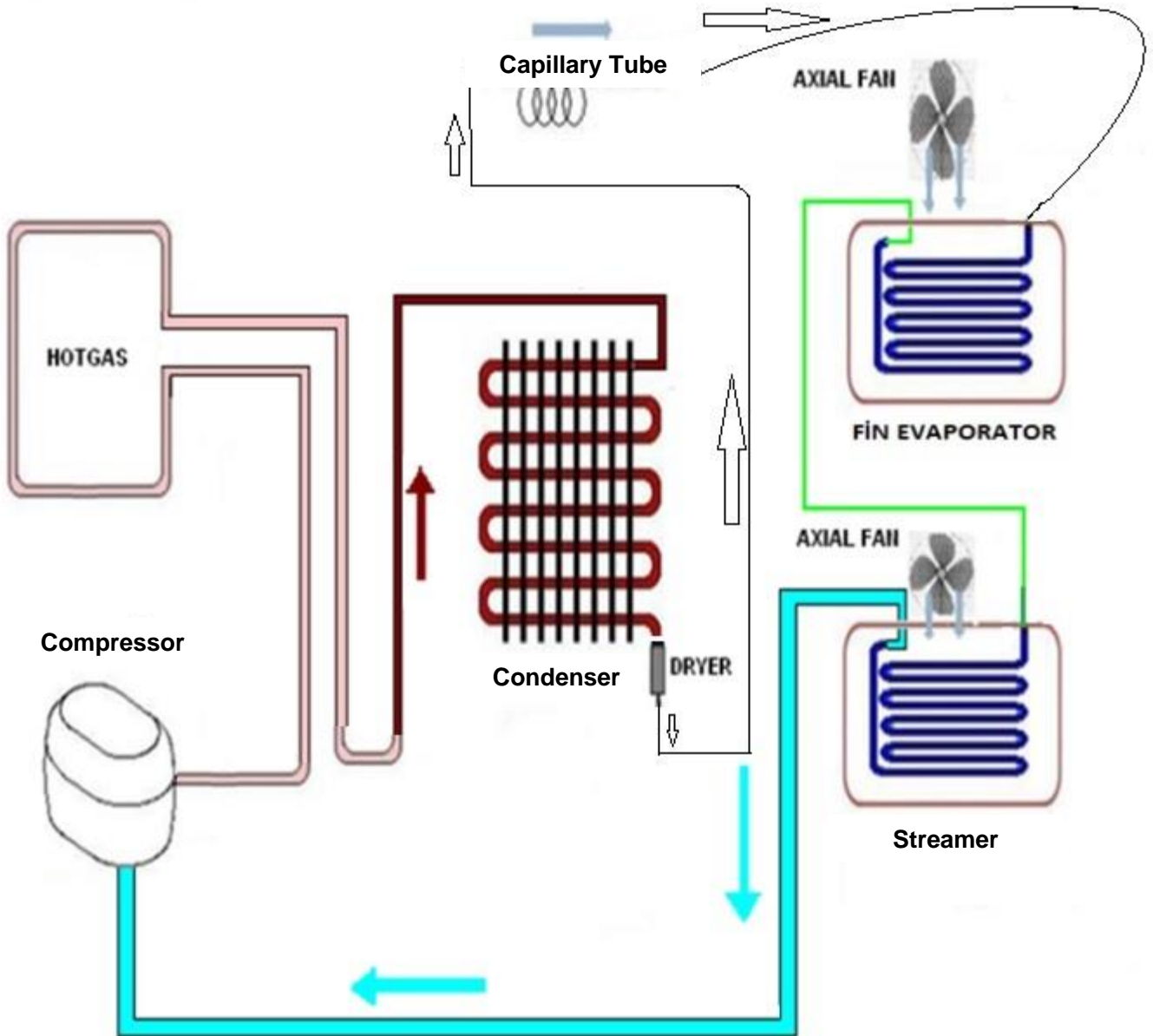
**Air Flow Diagram**



**Cutaway view: Air Flow Direction**

-  **Blown : Cold Air**
-  **Returned: Hot Air**

Air Flow Diagram



**This model is double controlled product without any valve. When both cooler & freezer set by user :**  
**Mainboard controls both the cooler sensor & freezer sensor. When cooler part reach requested value, if the freezer part haven't reach the requested level; compressor continues to run.**  
**While freezer continue to cool down, with the help of the RDH (Ref. Defrost Heater ), cooler will stay at constant value. When the freezer reach the requested value both compressor & RDH will be stop.**

**Resistance Values According To The Temperature Sensor (°C/Ohm Rates)**


( For The Freezer Defrost and The Cooler Ambient Sensor)

45 °C/1kΩ	-1 °C/6.2kΩ
35 °C/1.5kΩ	-3 °C/6.8kΩ
30 °C/1.8kΩ	-5 °C/7.5kΩ
25 °C/2.2kΩ	-7 °C/8.2kΩ
19 °C/2.7kΩ	-12 °C/10kΩ
14 °C/3.3kΩ	-15 °C/12kΩ
10 °C/3.9kΩ	-20 °C/15kΩ
5.5 °C/4.7kΩ	-24 °C/18kΩ
1.5 °C/5.6kΩ	-31.5 °C/27kΩ
0 °C/6kΩ	-35.5 °C/33kΩ

**Sensor Resistance Values According To The Temperature (°C/Ohm Rates)**

(For The Cooler Defrost Sensor)

45 °C/2.15kΩ	-1 °C/17.1kΩ
35 °C/3.26kΩ	-3 °C/19kΩ
30 °C/4.02kΩ	-5 °C/21.1kΩ
25 °C/5kΩ	-7 °C/23.5kΩ
19 °C/6.53kΩ	-12 °C/30.8kΩ
14 °C/8.23kΩ	-15 °C/36.5kΩ
10 °C/9.95kΩ	-20 °C/48.6kΩ
5.5 °C/12.3kΩ	-24 °C/61.5kΩ
1.5 °C/15kΩ	-31.5 °C/98kΩ
0 °C/16.3kΩ	-35.5 °C/12.6kΩ

	<b>353 - 373 – 383 ELECTRONIC ARES</b>	<b>CUSTOMER SUPPORT</b>
	<b>Special Programs</b>	

### **NTC Sensor**

There are three types of sensors. They are cooler, freezer defrost, cooler defrost sensors. Cooler and freezer defrost sensors have the same features but their cable length is different. The resistance values of all sensors decrease when the temperature values of the sensors increase. For example, the resistance value that is 33 kΩ in the -35.5 °C goes down to 1kΩ in the 45 °C and therefore the ambient temperature should be considered while the sensor is being checked. If the ambient temperature is 25 °C, the measuring device shows about 2.2kΩ (if ntc sensor is steady).

### **When the refrigerator works on first time;**

If the cooler compartment defrost sensor and the freezer compartment defrost sensor are hotter than -5°C, the test system works automatically. These below components are tested automatically every 5 seconds.

- ❖The compressor and freezer fan motor starts and stops after 5 seconds.
- ❖The defrost resistance starts and stops after 5 seconds.
- ❖The cooler defrost resistance starts and stops after 5 seconds.
- ❖The DC Radial Fan starts and stops after 5 seconds.

After these steps, the system waits 5 minutes and then it will switch normal mod.

### **Freezer Defrost Program**

- According to the conditions of usage, the defrost might be activated after the min compressor running time; 8 hours or max total time; 55 hours. Below matters are also effected;
- Consisted ice amount,
- Door open-close,
- Sudden usage variance,
- Cooler sudden temperature rise,

### **Cooler Defrost Program**

The cooler defrost and the freezer defrost are operated parallel except those below. If the cooler defrost sensor does not feel 5°C three times during a particular period of time.

- Defrost will be activated after the refrigerator works max 9 hours. According to the conditions of usage, the defrost might be activated (due to mentioned those below) after the compressor works min 5 hours.
- Consisted ice amount,
- Door open-close,
- Sudden usage variance,
- Cooler sudden temperature rise,



**353 - 373 – 383 ELECTRONIC ARES**

**CUSTOMER  
SUPPORT**

**Special Programs**

### **Freezer Defrosting Time**

The Defrost is disabled when the defrost sensor temperature feels 8°C. If defrost time passes 37 minutes, defrost completing temperature will be rise to 15°C.

### **Cooler Defrosting Time**

The cooler defrost and the freezer defrost are operated parallel except those below. The cooler defrost will not work if the freezer defrost stops.

The defrost process stops when the defrost sensor temperature feels 7°C. At the low ambient temperature or when the compressor stops; to balance, defrost stops when the defrost sensor temperature feels 15°C. But if the defrost time or the compressor stopping time goes over 6 hours, the resistance will be stopped.

Compressor delay: First, the defrost process ends, the system waits 5 minutes, just after that the compressor is active.

### **In Case of Power Cut**

- All regulated parameters and functions are kept in memory when the power cut.
- When the electricity comes, if the defrost sensor temperature is lower than -5 °C the compressor works 5 minutes later. If it is higher than -5 °C.

### **Other Features**

Warnings : The door open warning is active 2 minutes later and it alarms.

Door Direction : It is possible to reverse the door.

Gasket : It is possible to change the gasket.

<b>Unsufficient cooling</b>	Is the appliance too close to wall or heat sources (stove, central heating, oven, cooker etc.)?	It should be placed min 50cm distance from heat sources and min 5 cm from electrical ovens.
	Is the ambient temperature high?	Raise the thermostat value.
	Check whether putting the hot foods in the refrigerator?	Put the foods after get cold.
	Is there any gas leakage in refrigerant system?	Check all welding points in the system.
<b>The foods in the cooler compartment are freezing.</b>	Were the foods placed close to cooling air outlet?	Please do not block air outlets
	Is the cooler thermostat value high ? Is there any hot foods close to the cooler sensor?	Decrease the cooler thermostat value and do not put hot things close to the sensor.
<b>Are there any sweating or icing?</b>	Were the liquid foods in the closed containers?	Put the liquid foods into the closed containers.
	Were the hot foods put into the refrigerator?	Put it into after getting cold.
	Was the refrigerator door opened?	Do not leave the refrigerator door open and do not often open or close.
<b>Abnormal Noise</b>	Is the appliance on the flat surface?	The floor should be straight and balance the refrigerator with the help of the adjustable feet.
	Is the compressor feet loose	Fix it.
	Is the condenser or fan stationary normal?	Fix it.
	Do the capillary tube or all other tubes touch any where?	Fix it.



## 353 - 373 – 383 ELECTRONIC ARES

**CUSTOMER  
SUPPORT**

### Service Mode

#### Entering service mode :

Push screen selector button continuously. During this time, open and close the cooler door for least 3 times. The appliance will enter service mode 3 sec. late.

- If there is a faulty situation, error code will be observed on screen. Otherwise nothing will be on the screen.
- Buzzer will sound beep for 0.1 sec. each 5 sec. during service mode.
- Child lock icon will blink
- Service function could be activated by pushing «Mode» button

SERVICE FUNCTIONO	
	While display is on service mode, it could be changed among service functions by touching mode icon
TOUCHING M (MODE) BUTTON ONE TIME.	<b>STARTING MODE</b>
	Eco icon blinks
	The number of components which is controlled is shown at freezer segments of display Eco icon goes off when the starting test finishes and then display returns to initial service mode.
TOUCHING M (MODE) BUTTON TWO TIMES.	<b>MANUAL DEFROST</b>
	Holiday icon blinks
	Defrost might be finished manually or automatically.
	Defrost might be finished manually by using the screen select button. Holiday icon goes off and display returns to initial service mode.
	Automatic defrost operates according to the standard defrost time. Holiday icon goes off when he when the manual defrost ends and display returns to initial service mode.
TOUCHING M (MODE) BUTTON THREE TIMES.	<b>DAMPER MOTOR CONTROL MODE (this is a general function for other models which have damper)</b>
	SC icons blink.
	There is no function due to not having damper component in the product Unless touch anything on the screen for 5 minutes, this function will be finished.
	SC icons goes off and display returns to initial service mode.
TOUCHING M (MODE) BUTTON FOUR TIMES.	<b>CURRENT TEMPERATURE VALUES INDICATOR</b>
	Sf icons blink.
	Current temp. Value of freezer set sensor is shown on cooler set segment. Freezer set segment shows "1"
	After touching child lock button one time, current temp. Value of cooler sensor is shown on cooler set segment. Freezer set segment shows «2"
	After touching freezer set icon one more time, current temp. Value of defrost sensor is shown on cooler set segment. Freezer set segment shows «3"
	After touching child lock button one more time, Constant value is shown on cooler set segment due to not being an ambient sensor in the appliance. Freezer set segment shows «4" (this is a general function for other models which have ambient sensor)
	After touching child lock button one more time, current temp. Value of cooler serpentine sensor is shown on cooler set segment. Freezer set segment shows «5"
	Unless touch child lock button for 5 minutes, function will be finished automatically.
	Touching screen select button, function will be finished manually.
	Sf icon goes off and display returns to initial service mode.
TOUCHING M (MODE) BUTTON FIVE TIMES.	<b>DOOR SWITCH CONTROL</b>
	No icons at display
	Cooler set segment gives information about cooler door Mode just could be deactivated by cooler set button.

\*\*Error codes can appear in normal use and they will be on a screen for 10 seconds. SR (Symbol blinks. No alarm sounds).

SENSOR	TEMPERATURE	USER MODE REACTION	SERVICE MODE REACTION
(1) Freezer	> +50 °C or <-50 °C (sensor is short or open)	Display E 01	Display E 01
(2) Refrigerator		Display E 02	Display E 02
(3) Defrost		Display E 03	Display E 03
4) Serpantin		In normal mode, Serpantin sensor defect will not be shown.	Display E 05

### Component defect on display

DEFECT TYPE	DETAILS	USER MODE REACTION	SERVICE MODE REACTION
Compressor Defect	Defrost sensor temp > -10°C (D sensor temp.unchanges for 10 min.continuous compressor run)	Display E 06	Display E 06
Defrost Heater Defect	Defrost sensor < 0°C		Display E 07



## 353 - 373 – 383 ELECTRONIC ARES

### User and Service Mode Error Message

**CUSTOMER  
SUPPORT**

#### Low voltage error on display

DEFECT TYPE	DETAILS	USER MODE REACTION	SERVICE MODE REACTION
Low voltage	Power supply < 170	Display E 08	Display E 08

#### Cooling error on display

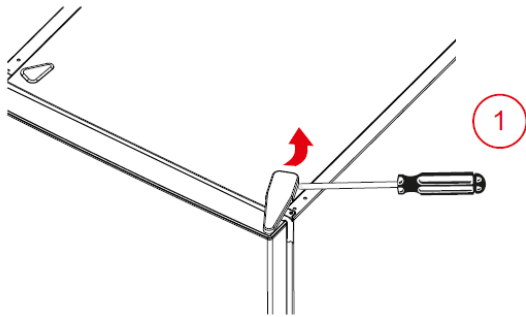
Note: To prevent the wrong alarms, this alarm status is disabled on following conditions:

- During the first 6 hours after the product was firstly connected.
- During the defrost period
- During the first two hours after a defrost
- During the first 2 hours that one of the doors was open.

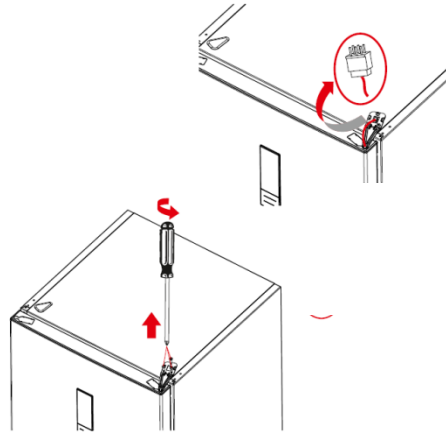
DEFECT TYPE	DETAILS	USER MODE REACTION	SERVICE MODE REACTION
Freezer sensor > -10°C	Freezer compartment is not cool enough	Display E 09	Display E 09
Ref. sensor > +10°C and if Holiday mode is not active	Refrigerator compartment is warm	Display E 10	Display E 10
Ref. sensor < -5°C	Refrigerator compartment is so cool	Display E 11	Display E 11
F sensor > -10°C and R sensor >15°C and if Holiday mode is not active	Freezer and Refrigerator compartment both are not cool enough	Display E 09 ,E 10	Display E 09 ,E 10

Reversing the door

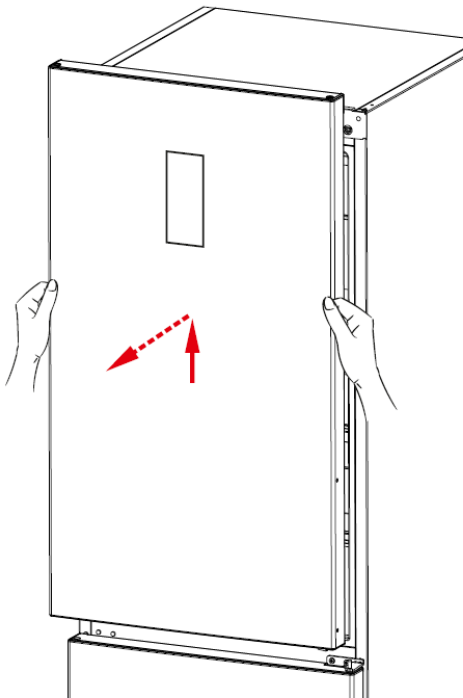
Hold the top hinge cover and  
remove it toward that direction



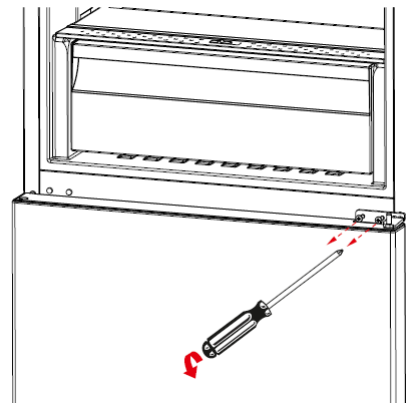
Disconnect the display connector.  
Unscrew the screws fixing the top hinge  
and remove it.



Displace the top door

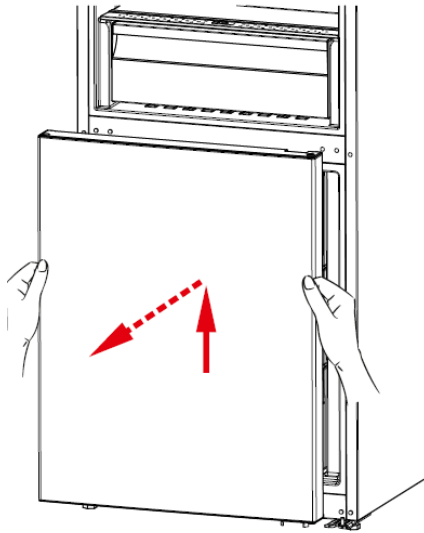


Unscrew the two screws fixing  
the middle hinge and remove it.

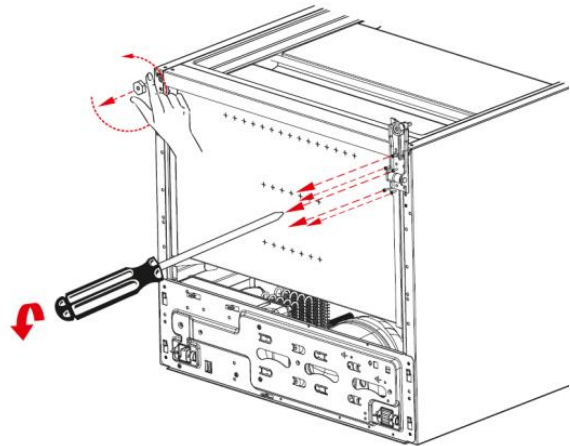


**Reversing the door**

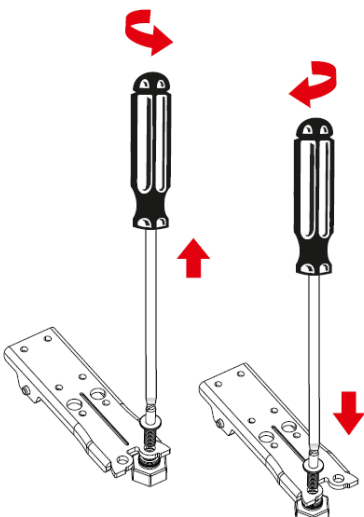
Displace the bottom door.



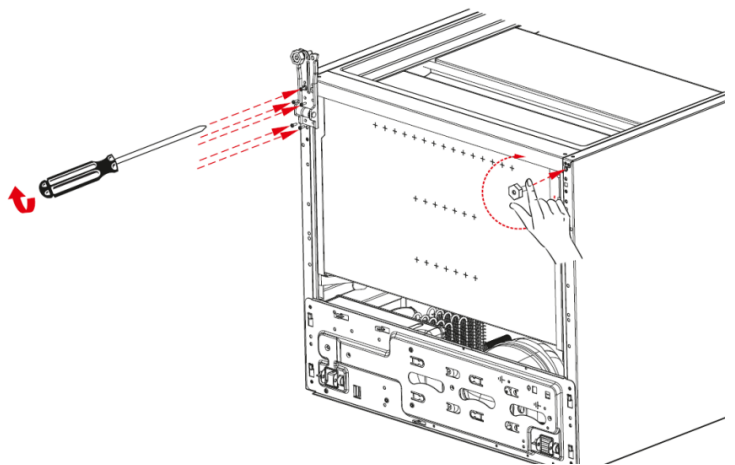
Unscrew the bottom hinge pin and screw it to other hole.



Unscrew the adjustable foot and unscrew the bottom hinge screws

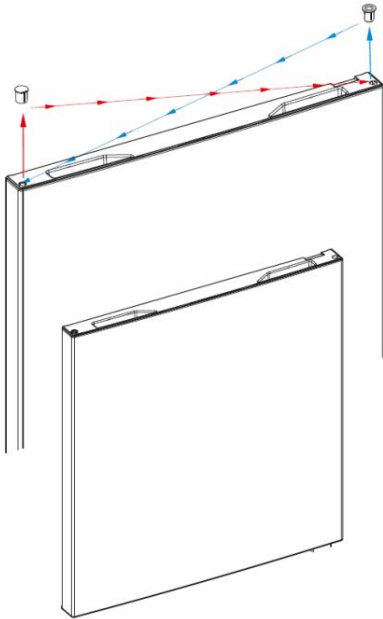


Screw the bottom hinge to the left bottom side of refrigerator.  
Screw the adjustable foot there.

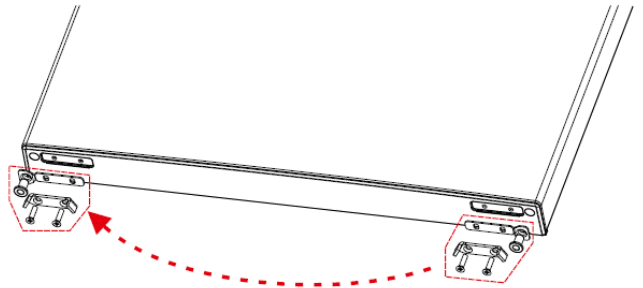


**Reversing the door**

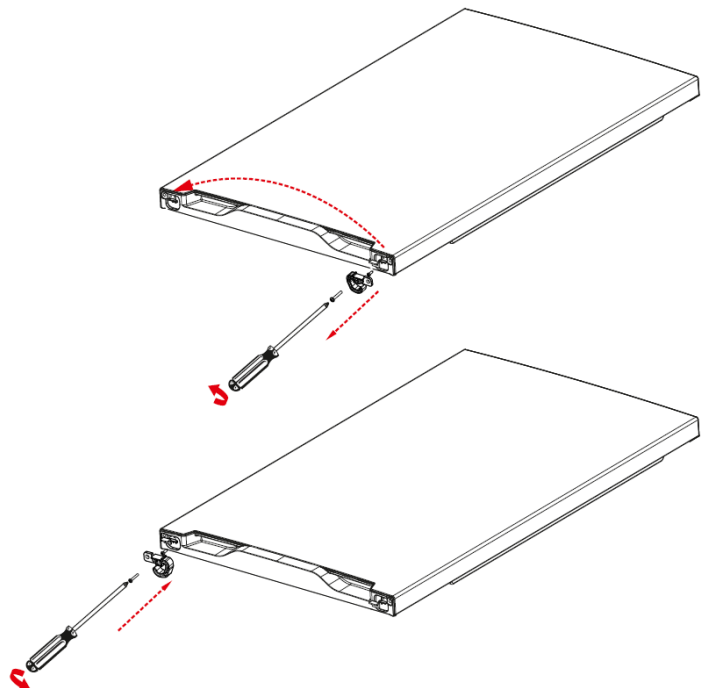
Replace the top bushing and the top bushing cap at the bottom door.



Unscrew the two screws fixing stopper and stopper support plate under the bottom door. After that screw the other side.

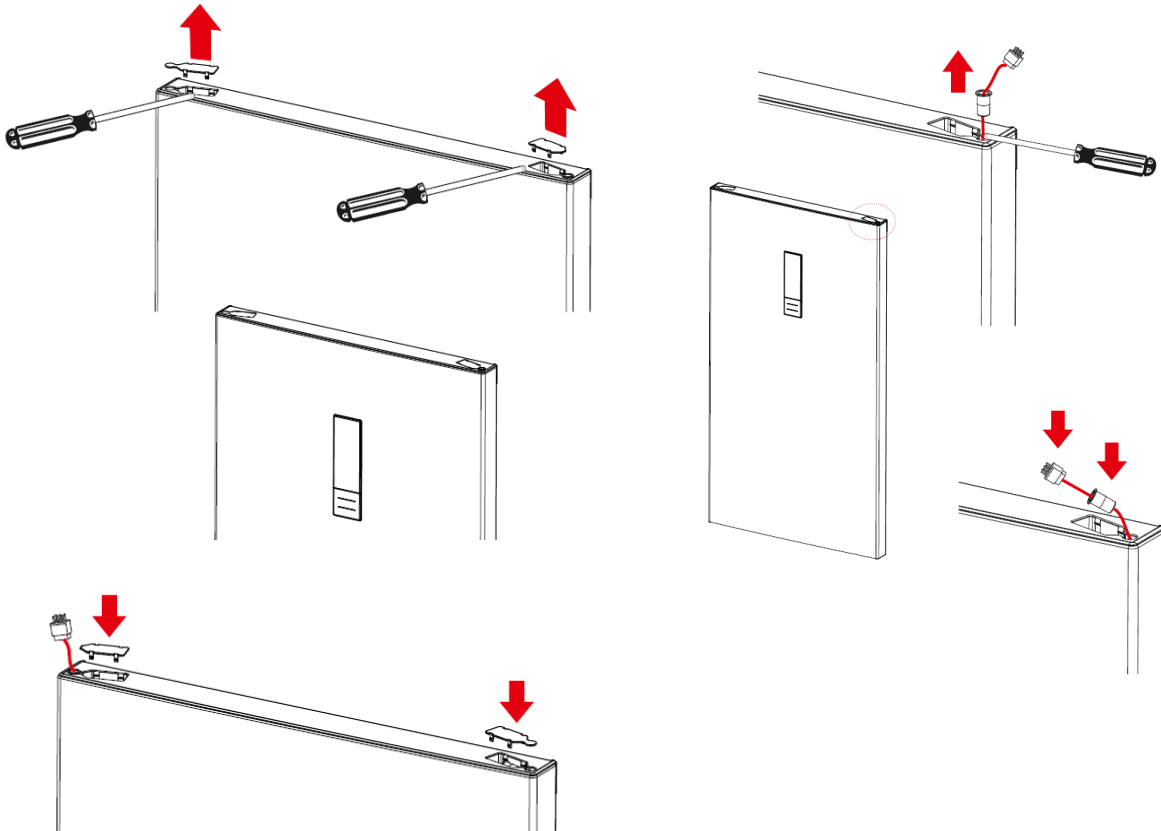


Remove the support plastic under the upper door. Then re screw these parts to the other side symmetrically.



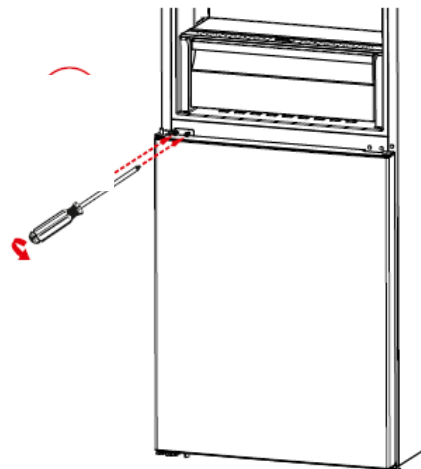
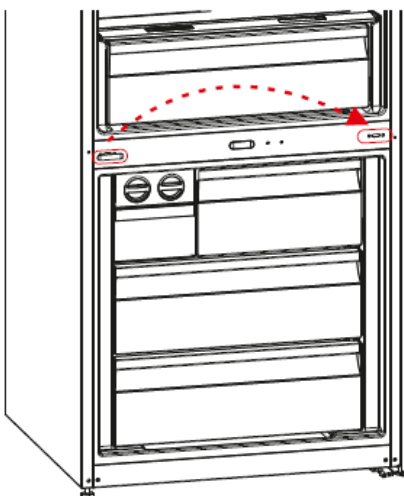
**Reversing the door**

Remove the socket cover-right of the top door. Remove the display socket. Please use the socket cover to hidden other housing.



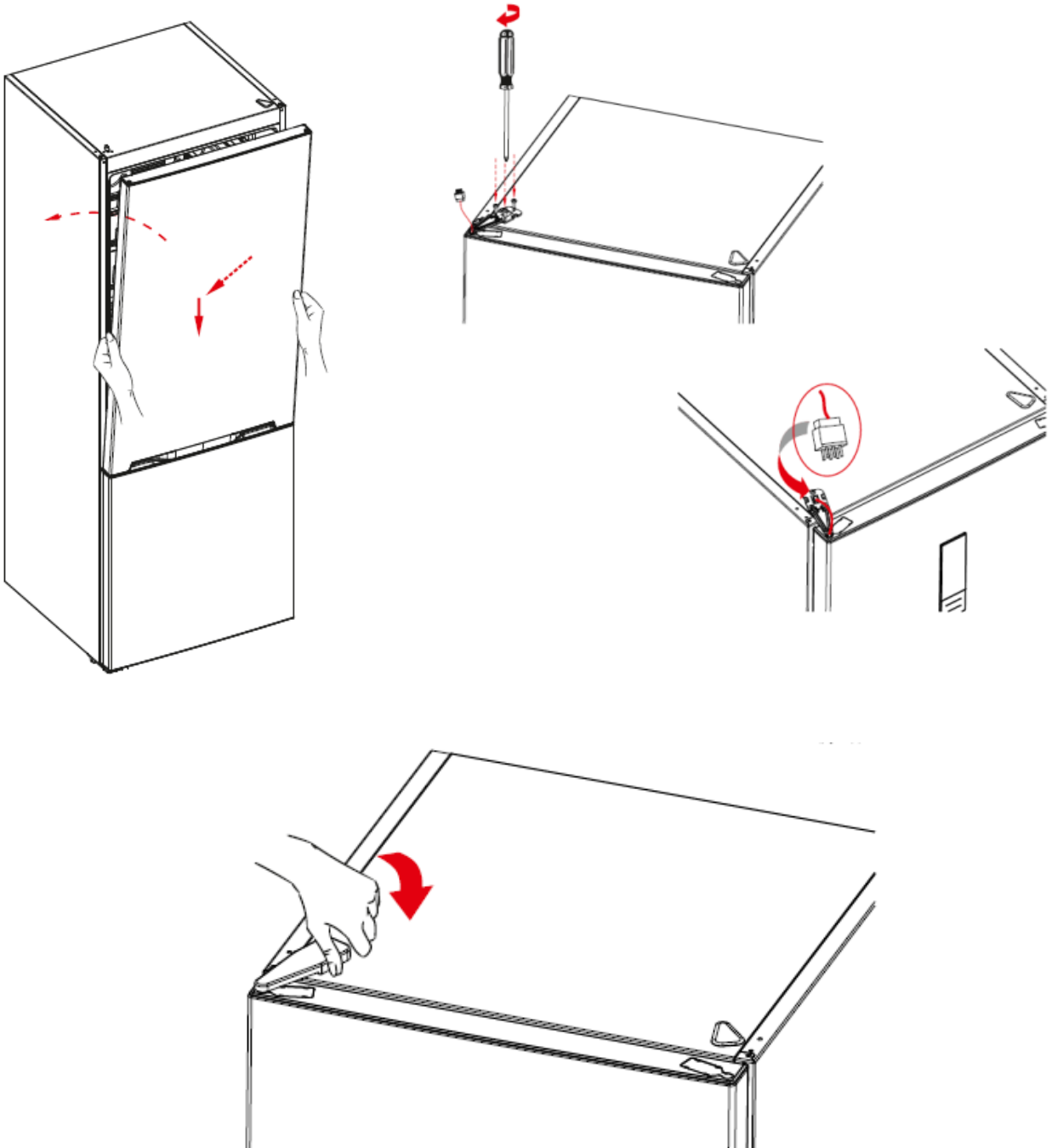
Remove the middle hinge cover and then screw the screw on the side panel and assemble to the right side panel.

Place the bottom door and rotate the middle hinge by 180°. After that, screw to the right side on the middle sheet.



**Reversing the door**

Place the top door to the middle hinge and then connect the display connector and screw the top hinge to the top panel. Place the top hinge cover.





***CAUTION: The plug must be pulled out before the mainboard group is removed.***

1. Unscrew the screws which are fixing the main board cover. (Pic-1)



**Picture-1**

2. Pull the mainboard slightly forward and disconnect all the connectors and then replace it. Finally, place the mainboard cover and screw it. (Pic-2)



**Picture-2**

**Side Led Version**

**1.** Stick a tape to protect plastic. Insert a flat screwdriver into the gap and remove the cover. (Pic-1)



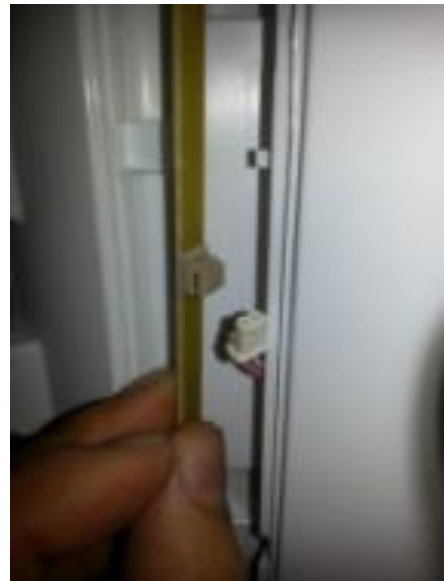
**Picture-1**

**2.** Remove the led strip light from its housing. (Pic-2)



**Picture-2**

**3.** Disconnect the connector and change the led light strip. (Pic-3)



**Picture-3**

**4.** First, place the bottom point of the led light strip and then place towards other side.(Pic-4)



**Picture-4**

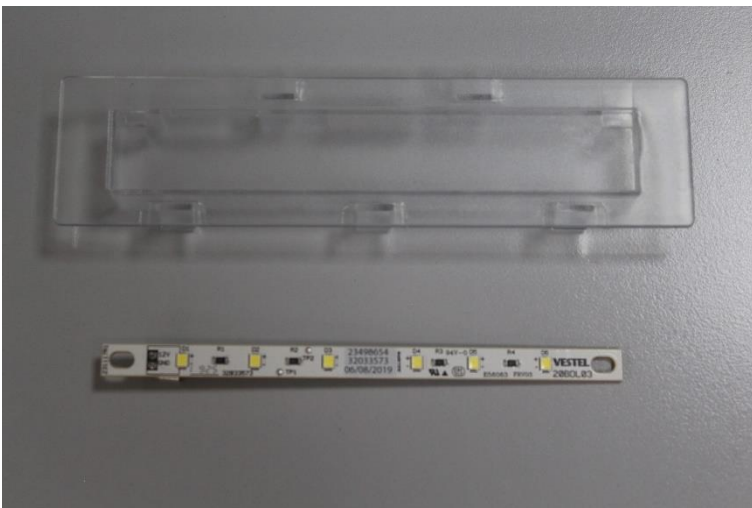
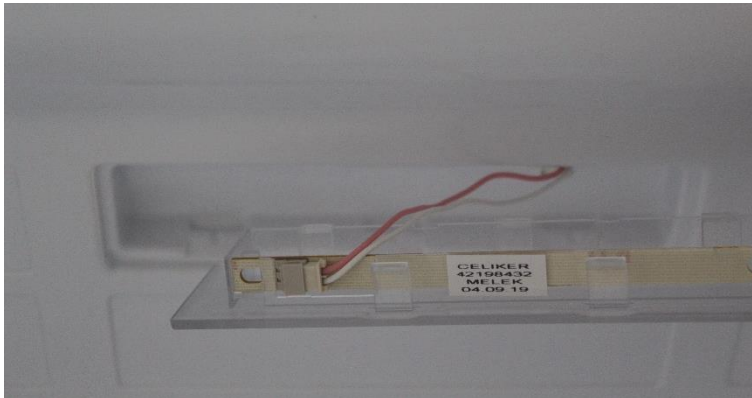
**5.** Reassemble the led cover. (Pic-5)



**Picture-5**

### Top Led Version

Remove the led cover by pulling forward and disconnect the connector.

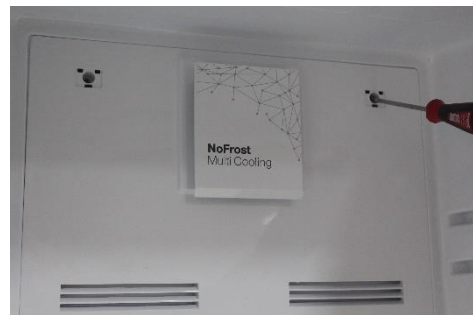


**Removing The Cooler Multi Flow**

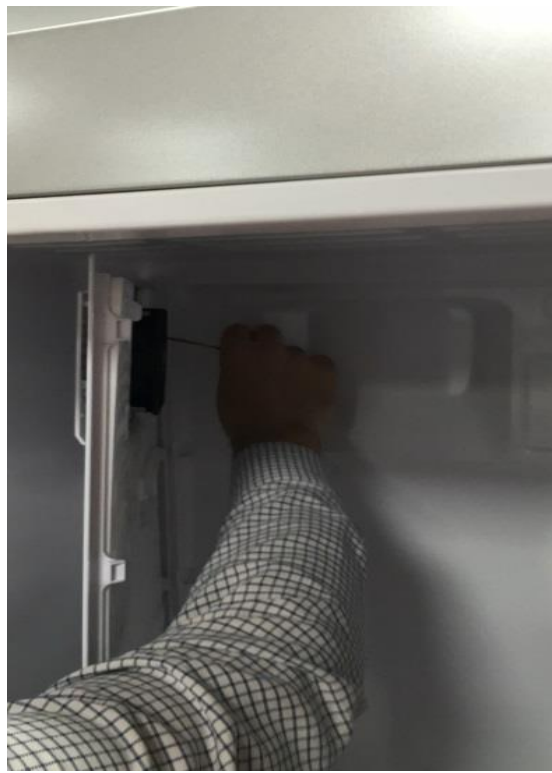
Remove the cooler glass shelves and the chiller.



Remove the screw caps by using a flat screwdriver and screw the screws.



Flex the multi flow by holding the fan cover and remove it.  
Disconnect the connector after removing the multi flow.



**1.** Remove the fan cover by flexing the fan cover detail and then remove the fan motor by flexing the fan motor rubbers. (Pic-1/ Pic-2/Pic-3)



**Picture-1**



**Picture-2**



**Picture-3**

**2.** Place the rubbers to the fan motor. After that, first place the bottom two details of the fan motor and place the top two details by pressing-flexing it. (Pic-4/ Pic-5/Pic-6)

**Note :** *The fan motor cable outlet should be at the top-left corner of it.*

**3.** After the connector is connected, place it by flexing it and then reassemble the multi flow by screwing.



**Picture-4**



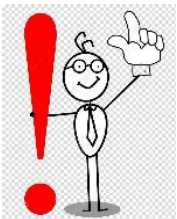
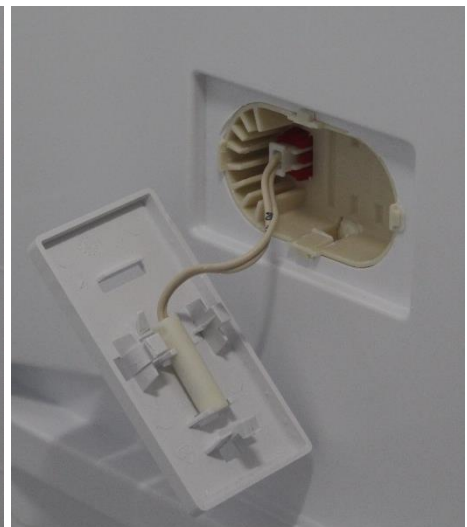
**Picture-5**



**Picture-6**

**Changing The Cooler Sensor**

Remove the sensor cover with the help of a screwdriver and then disconnect the sensor connector.



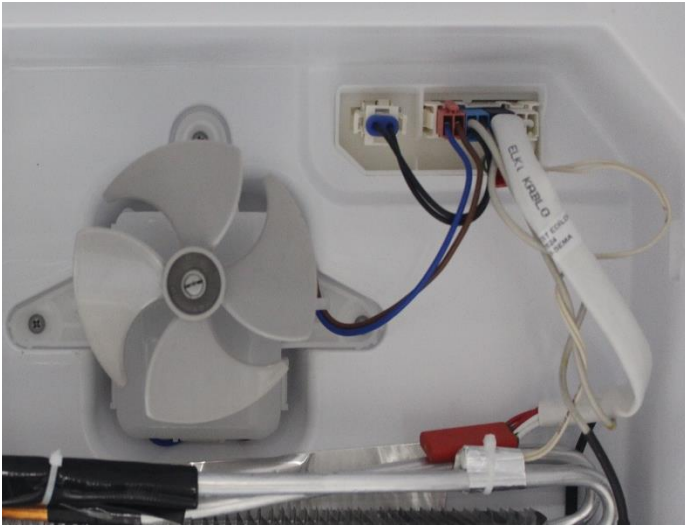
***Pay attention not to damage to the sensor cover details!***

1. Displace the glass shelves and baskets if there is.
2. Unscrew the screw fixing the multiflow group.
3. Removing the freezer bottom cover by flexing back side of it.
4. Remove the fan motor connector.

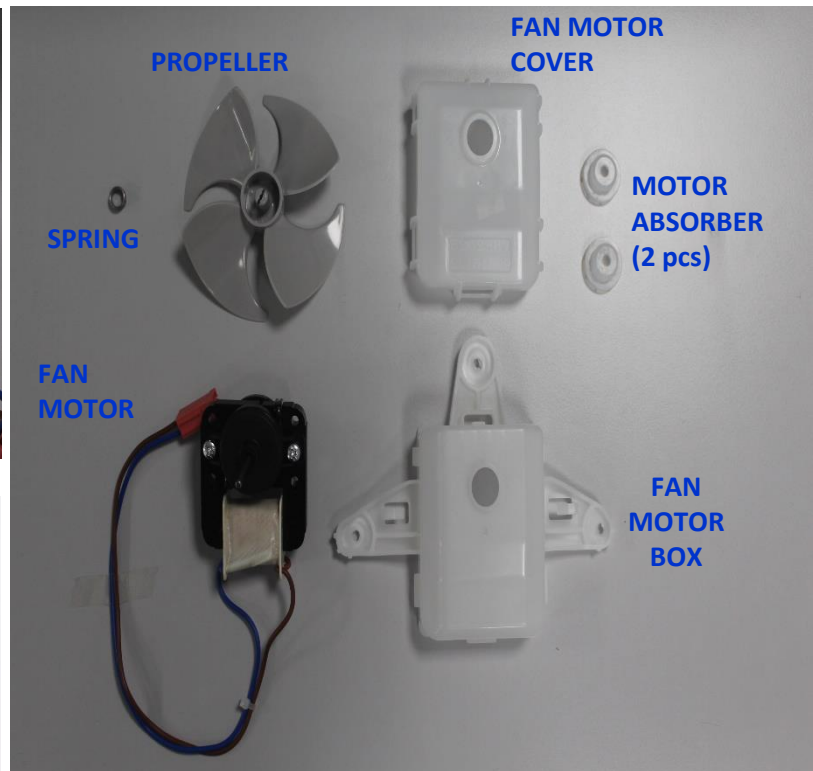
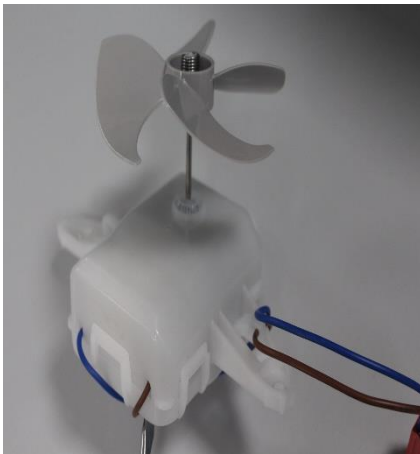


Remove the fan motor connector. (pink)

Unscrew the fan motor fixing screws and displace the fan motor.



Remove the propeller.



Fan Motor Components

1. Unscrew the air duct plastic. (Pic-1)
2. When removing the air duct plastic, pay attention to the connection of the fan socket cable. (Pic-2)
3. Remove the fan motor connector. (Pic-3)



**Picture-1**



**Picture-2**



**Picture-3**

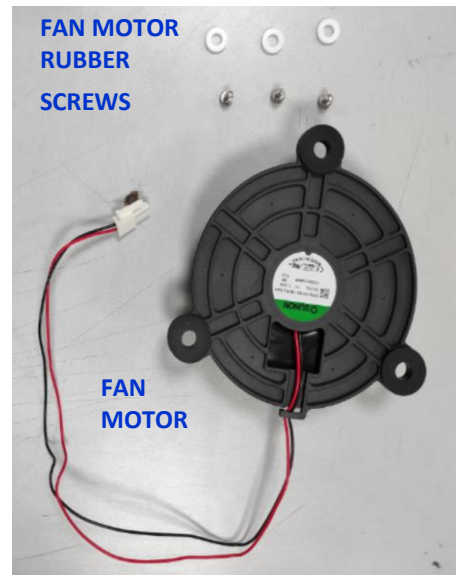
4. Unscrew the fan cover plastic on the fan motor. (Pic-4)
5. Unscrew the fan motor fixing screws and displace the fan motor. (Pic-5)



**Picture-4**



**Picture-5**

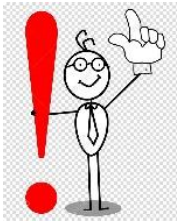
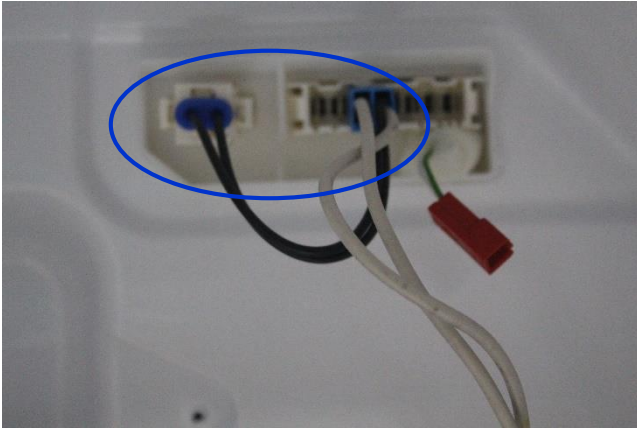


**Fan Motor Components**

Removing Fin Evaporator Group

Remove the fin evaporator resistance connectors from the sockets.  
(blue connector)

Displace the fin evaporator balanced by holding on both sides.

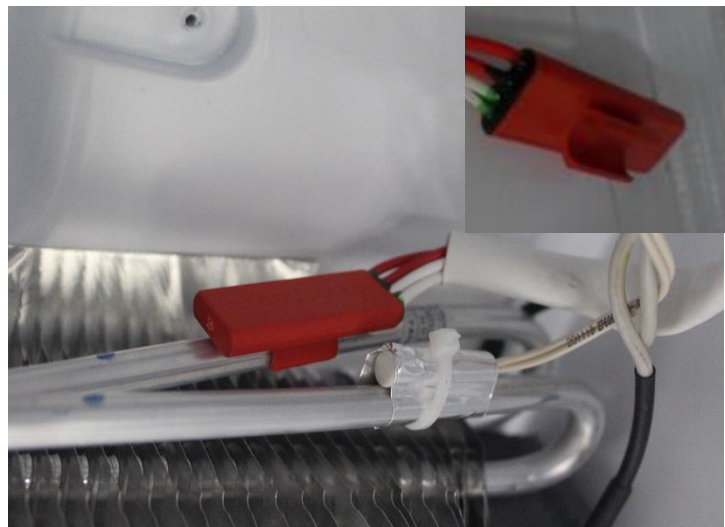
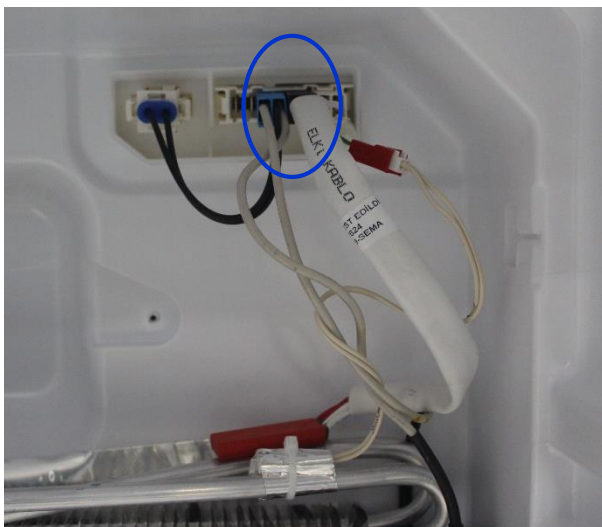


*The fin evaporator should not be pulled upward-downward. Otherwise, the fin evaporator fixing plastics might be broken.*

Removing The Thermal Fuse

Remove the thermal fuse connector.  
(black-white connector)

Thermal fuse has two details. These details hold on to the pipe.  
It could be removed easily.



**Removing Fin Evaporator Sensor**

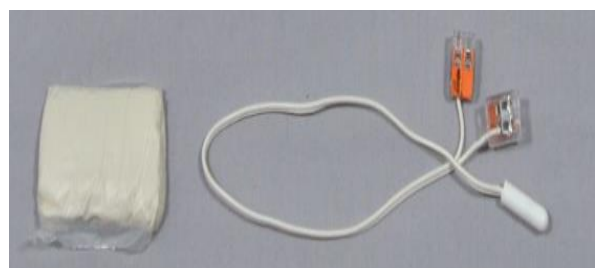
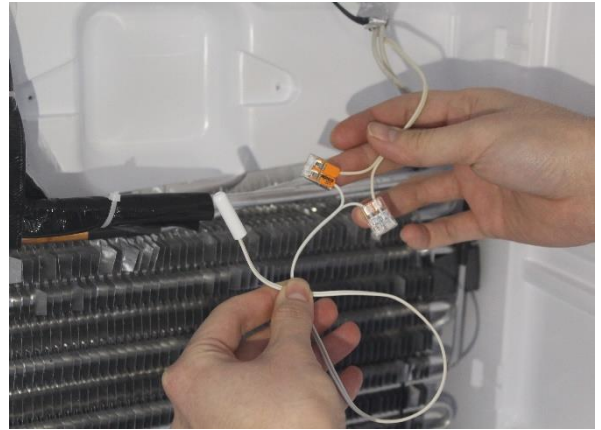
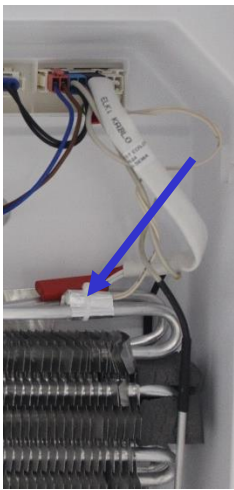
Displace the defrost sensor from its location. Cut the end of the sensor cable by using pliers/side cutting pliers.

Connect the cut sensor cable ends to each other as separate clips.

Immobilize the sensor resistance's end its previous position by using cable bant.

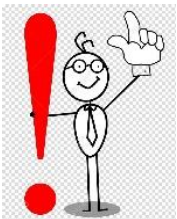
In order to prevent oxidation on the metal end of clips. You can use paste which is founded in kit.

Excessive part of the cable should not be left scattered in order not entanglement on the fan motor. It should be fixed with a separate cable bant.

**32049074 - SENSOR SERVICE KIT**

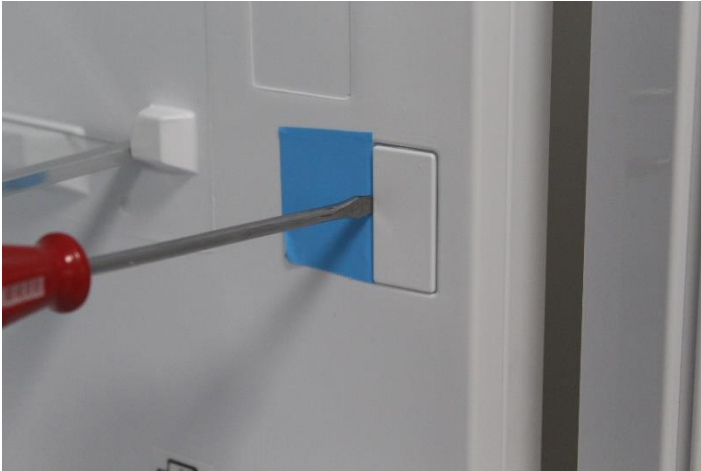
Removing Freezer Sensor

Remove the sensor cover with the help of a screwdriver and then disconnect the sensor connector.



***Pay attention not to damage to the sensor cover details!***

Stick a tape to protect plastic. Insert a flat screwdriver into the gap and remove the reed switch.



**NOTE:** Reed Switch is a very sensitive miniature electronic card. So during the assembly and disassembly be carefull not to damage it.

During the disassembly of the reed switch, there is a step on the edge of the plastic part which provides easier dissassembly and by that tool it can be taken out from the same place every time.

It must be assembled as this step should be in the invisible(inside of the refrigerator)part. Otherwise The distance which the lamp turn on/off may change.

After the assembly or replacement the service should check if the reed switch is damaged by giving energy and opening and closing the door.

***CAUTION: The plug must be pulled out before the display is removed.***

1. Display can be removed with the disassembly tool. Do not use any sharp objects to remove the display.
2. Disassembly tool code is **42152193** (Pic-1)



**Picture-1**

3. Place and fix the disassembly tool on to display and pull to take out the display. (Pic-2)



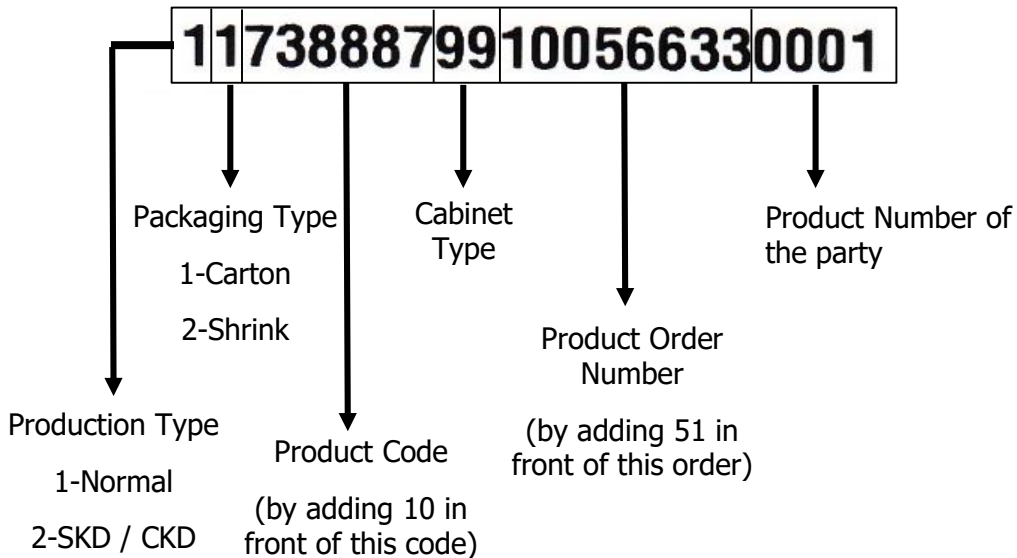
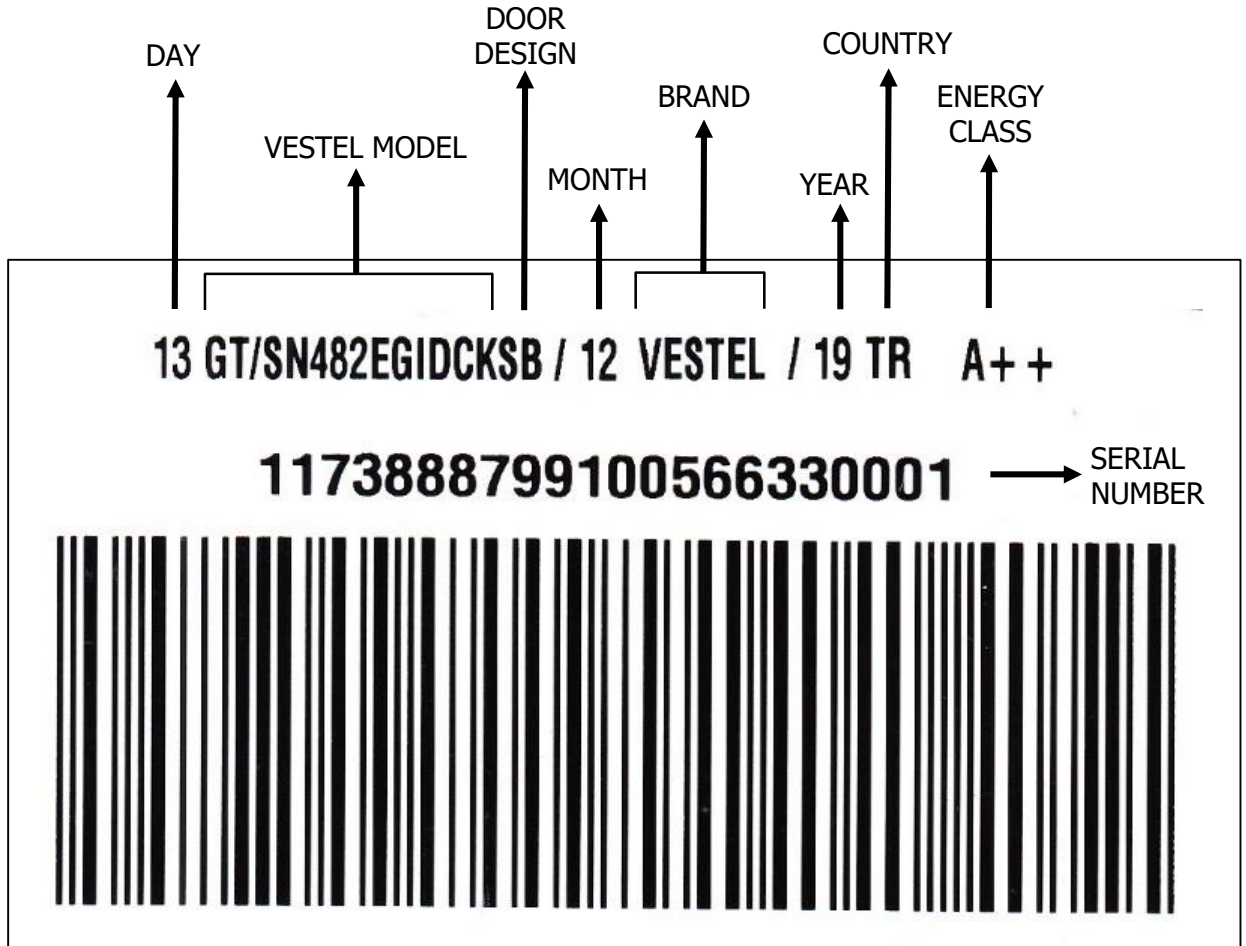
**Picture-2**

4. Take out the display cable socket. (Pic-3)



**Picture-3**

Vestel refrigerator serial numbers are consist of 22 digits.



**Exp:10738887**