

### Using the Control Panel

1. It is super freeze indicator.
2. It is freezer set value screen.
3. It enables the setting value of freezer to be modified and super freeze mode to be activated if desired. Freezer may be set to -16, eco, -20, -22, -24 °C and Super freeze.
4. It is super cooling indicator.
5. It is cooler set value screen.
6. It enables the setting value of cooler to be modified and super cool mode to be activated if desired. Cooler maybe set to 8, 6, eco, 4, 2 °C and super cool.
7. Sr alarm indicator.



**373-383 ELECTRONIC RIGA**

**CUSTOMER  
SUPPORT**

**Control Panel**

## **Super Cool Mode**

### **When would it be used?**

- To cooling huge quantities of food.
- To cooling fast food.
- To cooling food quickly.
- To store seasonal food for a long time.

### **Activating Super Cool Mode**

Push the cooler set button until the super cool symbol illuminates. The buzzer will sound twice and the mode will be set.

### **During Super Cool Mode**

Super cool mode can be cancelled in the same way it is selected.

## **Super Freeze Mode**

### **When would it be used?**

- To freeze a large quantity of food that cannot fit on the fast freeze shelf.
- To freeze prepared foods.
- To freeze fresh food quickly to retain freshness.

### **Activating Super Freeze Mode**

Push the freezer set button until the super freeze symbol illuminates. The buzzer will sound twice and the mode will be set.

### **During Super Freeze Mode**

Super freeze mode can be cancelled in the same way it is selected.

## **Activating Economy Mode**

### **Cooler compartment**

- Press the cooler set button until the economy symbol illuminates.
- If no button is pressed for 1 second the mode will be set and the buzzer will sound twice as confirmation.
- To cancel, press the cooler set button.

### **Freezer compartment**

- Press the freezer set button until the economy symbol illuminates.
- If no button is pressed for 1 second the mode will be set and the buzzer will sound twice as confirmation.
- To cancel, press the freezer set button.



## Screen Saver Mode

### Purpose

This mode saves energy by switching off all control panel lighting when the panel is left inactive.

### How to Use

- Screen saver mode will be activated automatically after 30 seconds.
- If you press any key while the lighting of the control panel is off, the current machine settings will reappear on the display to let you make any change you wish.
- If you do not cancel the screen saving mode or press any key for 30 seconds, control panel will remain off.

### To deactivate the screen saving mode,

- To cancel the screen saving mode, first of all, you need to press any key to activate the keys and then press and hold the freezer set button for 5 seconds.
- To reactivate screen saving mode, press and hold the freezer set button for 5 seconds.

### Cooler Temperature Settings

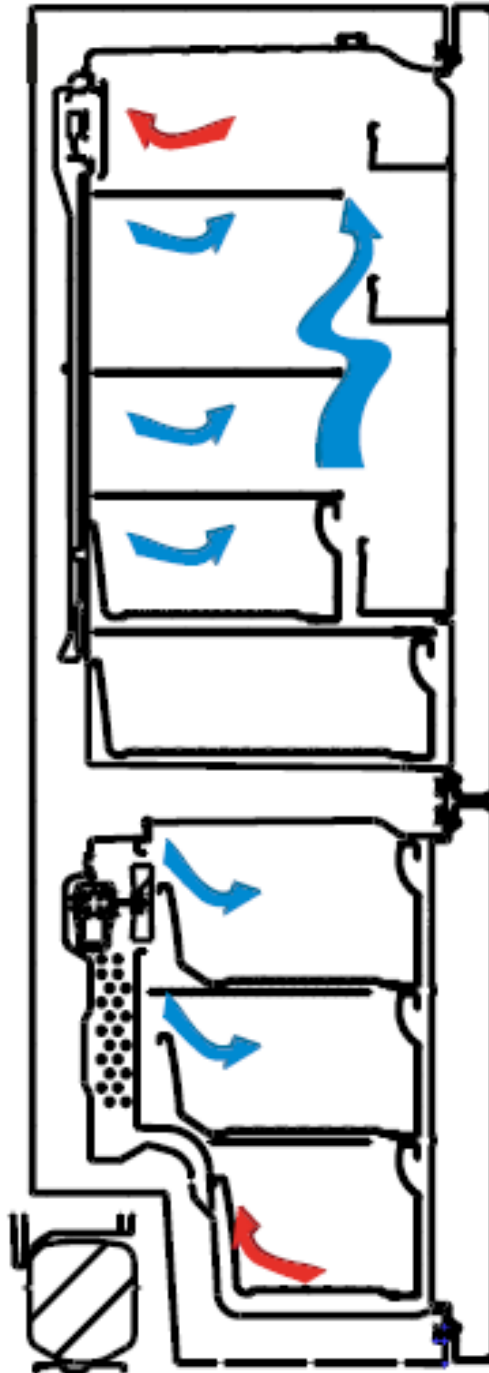
- Press the cooler set button once.
- When you first press the button, the previous value will appear on the setting indicator of the cooler.
- Whenever you press this button, a lower temperature will be set (+8 °C, +6 °C, eco, +4 °C, +2 °C, or super cool).
- If you press the cooler set button until the super cool symbol appears on the cooler setting indicator, and do not press any buttons for 3 second, super cool will flash.
- If you continue to press the same button, it will restart from +8 °C.

### Freezer Temperature Settings

- Press the freezer set button once.
- When you first press the button, the previous value will appear on the setting indicator of the freezer.
- Whenever you press this button, a lower temperature will be set (-16 °C, eco, -20 °C, -22 °C, -24 °C, or super freez).
- If you press the freezer set button until the super freez symbol appears on the freezer setting indicator, and do not press any buttons for 3 second, super freezer will flash.
- If you continue to press the same button, it will restart from -16 °C.

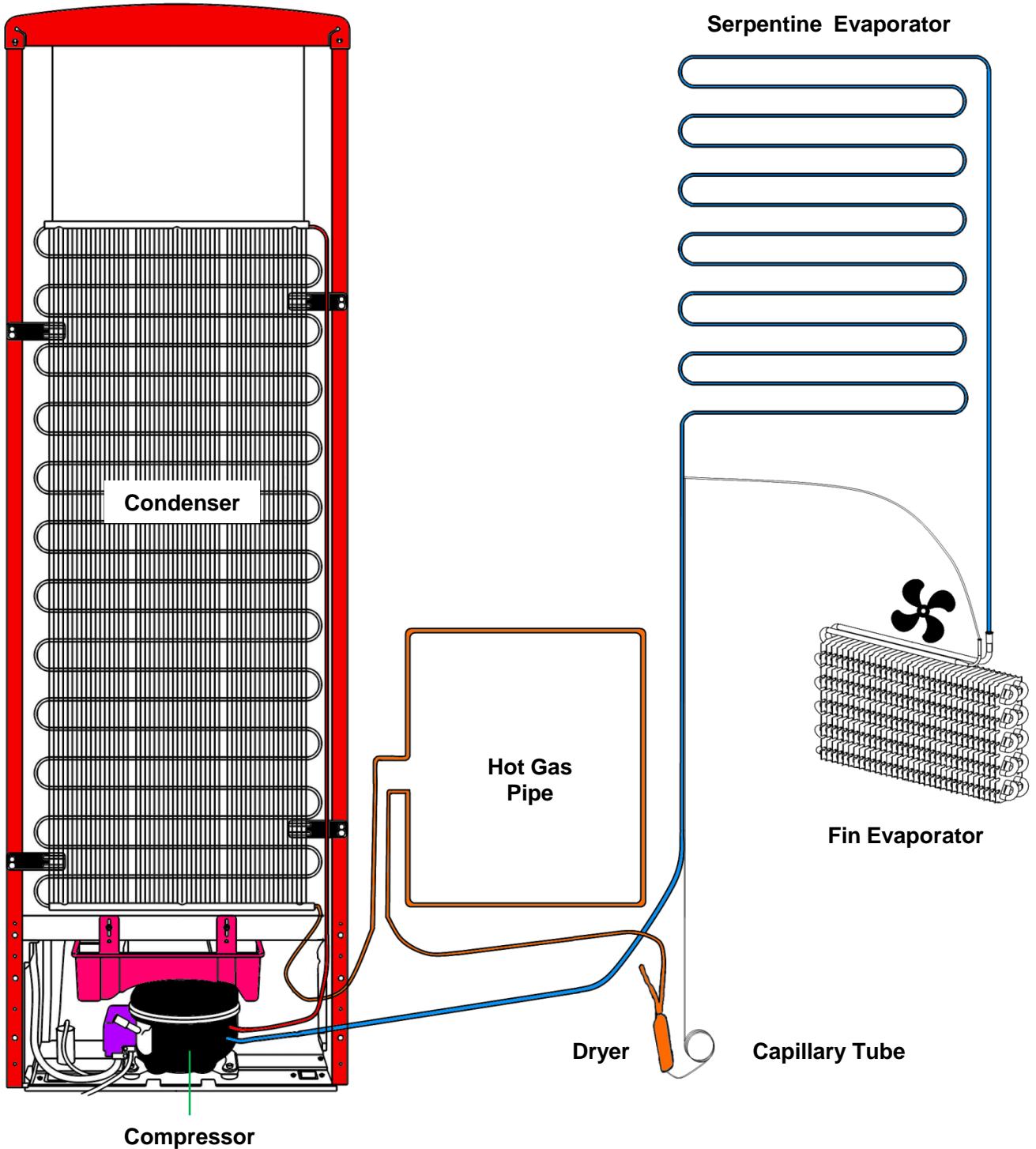
### Door Open Alarm Function

If fridge door is opened more than 2 minutes, appliance sounds 'beep beep'.



**Cutaway view: Air Flow Direction**

-  **Blown : Cold Air**
-  **Returned: Hot Air**



This model is double controlled product without any valves. When both cooler & freezer sections are set by end user, mainboard controls both the cooler sensor & freezer sensor. When cooler part reach requested value, if the freezer section haven't reach the requested level; compressor continues to run. While freezer continue to cool down, by the help of the RDH (Ref. Defrost Heater ), cooler section would stay at constant value. When the freezer reach the requested value both compressor & RDH would be stopped.

**Resistance Values According To The Temperature Sensor (°C/Ohm Rates)**

( For The Freezer Defrost and The Cooler Ambient Sensor)

45 °C/1kΩ	-1 °C/6.2kΩ
35 °C/1.5kΩ	-3 °C/6.8kΩ
30 °C/1.8kΩ	-5 °C/7.5kΩ
25 °C/2.2kΩ	-7 °C/8.2kΩ
19 °C/2.7kΩ	-12 °C/10kΩ
14 °C/3.3kΩ	-15 °C/12kΩ
10 °C/3.9kΩ	-20 °C/15kΩ
5.5 °C/4.7kΩ	-24 °C/18kΩ
1.5 °C/5.6kΩ	-31.5 °C/27kΩ
0 °C/6kΩ	-35.5 °C/33kΩ

**Sensor Resistance Values According To The Temperature (°C/Ohm Rates)**

(For The Cooler Defrost Sensor)

45 °C/2.15kΩ	-1 °C/17.1kΩ
35 °C/3.26kΩ	-3 °C/19kΩ
30 °C/4.02k6Ω	-5 °C/21.1kΩ
25 °C/5kΩ	-7 °C/23.5kΩ
19 °C/6.53kΩ	-12 °C/30.8kΩ
14 °C/8.23kΩ	-15 °C/36.5kΩ
10 °C/9.95kΩ	-20 °C/48.6kΩ
5.5 °C/12.3kΩ	-24 °C/61.5kΩ
1.5 °C/15kΩ	-31.5 °C/98kΩ
0 °C/16.3kΩ	-35.5 °C/12.6kΩ



**NTC Sensor**

There are three types of sensors. They are cooler, freezer defrost, cooler defrost sensors. Cooler and freezer defrost sensors have the same features but their cable length is different. The resistance values of all sensors decrease when the temperature values of the sensors increase. For example, the resistance value that is 33 kΩ in the -35.5 °C goes down to 1kΩ in the 45 °C and therefore the ambient temperature should be considered while the sensor is being checked. If the ambient temperature is 25 °C, the measuring device shows about 2.2kΩ (if ntc sensor is steady).

**When the refrigerator works on first time;**

If the cooler compartment defrost sensor and the freezer compartment defrost sensor are hotter than -5°C, the test system works automatically. These below components are tested automatically every 5 seconds.

- ❖The compressor and freezer fan motor starts and stops after 5 seconds.
- ❖The defrost resistance starts and stops after 5 seconds.
- ❖The cooler defrost resistance starts and stops after 5 seconds.
- ❖The DC Radial Fan starts and stops after 5 seconds.

After these steps, the system waits 5 minutes and then it will switch normal mod.

**Freezer Defrost Program**

- According to the conditions of usage, the defrost might be activated after the min compressor running time; 8 hours or max total time; 55 hours. Below matters are also effected;
- Consisted ice amount,
- Door open-close,
- Sudden usage variance,
- Cooler sudden temperature rise,

**Cooler Defrost Program**

The cooler defrost and the freezer defrost are operated parallel except those below. If the cooler defrost sensor does not feel 5°C three times during a particular period of time.

- Defrost will be activated after the refrigerator works max 9 hours. According to the conditions of usage, the defrost might be activated (due to mentioned those below) after the compressor works min 5 hours.
- Consisted ice amount,
- Door open-close,
- Sudden usage variance,
- Cooler sudden temperature rise,



**Freezer Defrosting Time**

The Defrost is disabled when the defrost sensor temperature feels 8°C. If defrost time passes 37 minutes, defrost completing temperature will be rise to 15°C.

**Cooler Defrosting Time**

The cooler defrost and the freezer defrost are operated parallel except those below. The cooler defrost will not work if the freezer defrost stops.

The defrost process stops when the defrost sensor temperature feels 7°C. At the low ambient temperature or when the compressor stops; to balance, defrost stops when the defrost sensor temperature feels 15°C. But if the defrost time or the compressor stopping time goes over 6 hours, the resistance will be stopped.

Compressor delay: First, the defrost process ends, the system waits 5 minutes, just after that the compressor is active.

**In Case of Power Cut**

- All regulated parameters and functions are kept in memory when the power cut.
- When the electricity comes, if the defrost sensor temperature is lower than -5 °C the compressor works 5 minutes later. If it is higher than -5 °C.

**Other Features**

Warnings : The door open warning is active 2 minutes later and it alarms.

Door Direction : It is possible to reverse the door.

Gasket : It is possible to change the gasket.

<b>Unsufficient cooling</b>	Is the appliance too close to wall or heat sources (stove, central heating, oven, cooker etc.)?	It should be placed min 50cm distance from heat sources and min 5 cm from electrical ovens.
	Is the ambient temperature high?	Raise the thermostat value.
	Check whether putting the hot foods in the refrigerator?	Put the foods after get cold.
	Is there any gas leakage in refrigerant system?	Check all welding points in the system.
<b>The foods in the cooler compartment are freezing.</b>	Were the foods placed close to cooling air outlet?	Please do not block air outlets
	Is the cooler thermostat value high ? Is there any hot foods close to the cooler sensor?	Decrease the cooler thermostat value and do not put hot things close to the sensor.
<b>Are there any sweating or icing?</b>	Were the liquid foods in the closed containers?	Put the liquid foods into the closed containers.
	Were the hot foods put into the refrigerator?	Put it into after getting cold.
	Was the refrigerator door opened?	Do not leave the refrigerator door open and do not often open or close.
<b>Abnormal Noise</b>	Is the appliance on the flat surface?	The floor should be straight and balance the refrigerator with the help of the adjustable feet.
	Is the compressor feet loose	Fix it.
	Is the condenser or fan stationary normal?	Fix it.
	Do the capillary tube or all other tubes touch any where?	Fix it.



## 373-383 ELECTRONIC RIGA

**CUSTOMER  
SUPPORT**

### Service Mode

#### Entering service mode :

Select «8» set value then press the cooler set button 10 seconds.

- If there is a faulty situation, error code will be observed on screen. Otherwise nothing will be on the screen.
- Buzzer will sound beep for 0.1 sec. each 5 sec. during service mode.
- SR icon will light continuously.
- Service function could be activated by pushing «Cooler Set» button

SERVICE FUNCTION	
	<b>STARTING MODE</b>
<b>PUSHING COOLER SET BUTTON ONE TIME.</b>	«8» value will select.
	The number of components which is controlled is shown on display.
	Icon goes off when the starting test finishes and then display returns to service mode.
	<b>MANUAL DEFROST</b>
<b>PUSHING COOLER SET BUTTON TWO TIMES.</b>	«6» value will select.
	Defrost mode is started after third step.
	Defrost might be finished manually or automatically.
	Defrost might be finished manually by using the cooling set button. Icon goes off and display returns to service mode.
	Automatic defrost operates according to the standard defrost time.

#### STARTING COMPONENT NUMBERS

“-16” drain heater

“eco” DC Radial Fan motor

“-20” Refrigerator Defrost Heater (RDS)

“-22” Ionizer / UPT

“-24” R&Su heater

“8” Middle Bracket heater

“6” Evap Defrost heater

“5” Evap fan motor

“4” Condenser fan motor

“2” Compressor



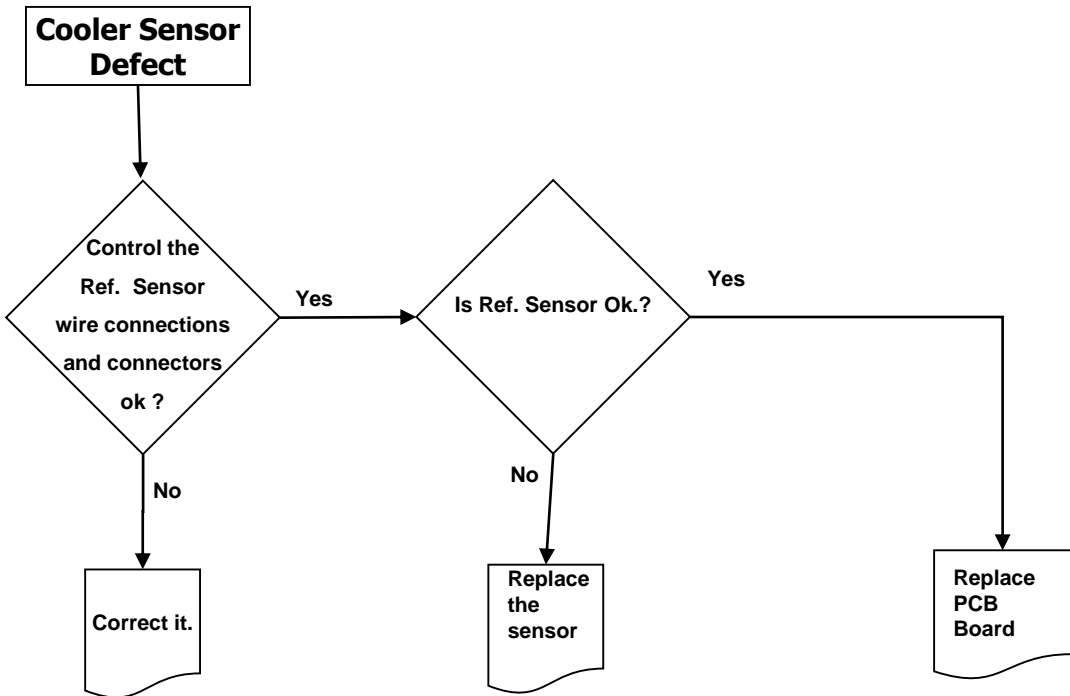
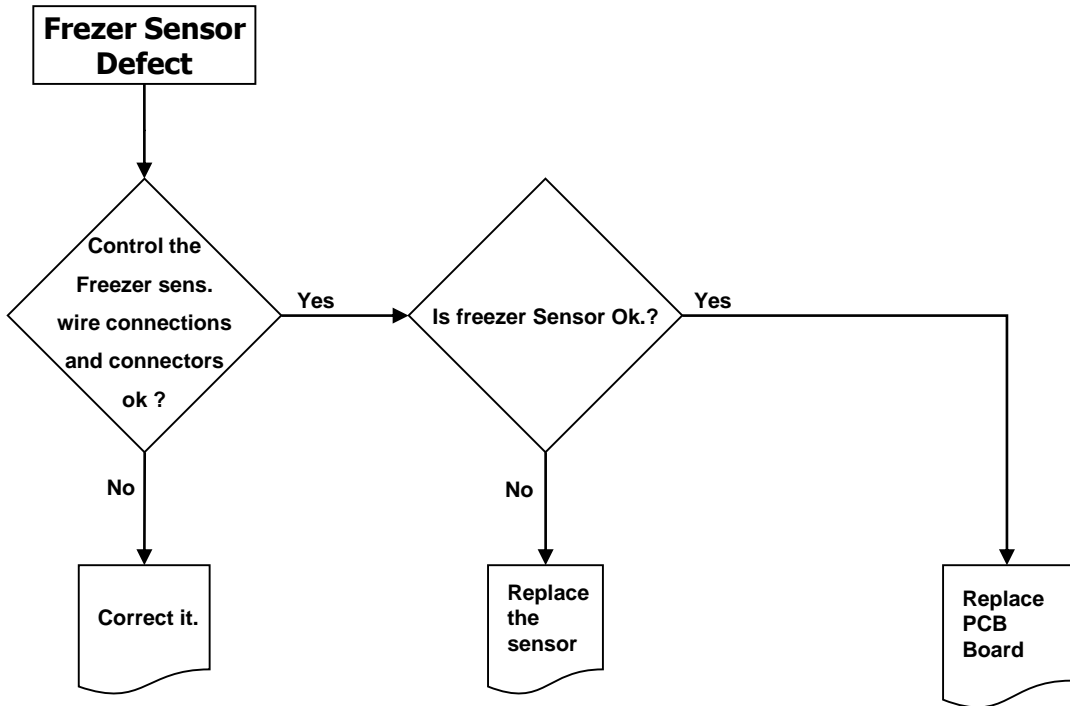
## 373-383 ELECTRONIC RIGA

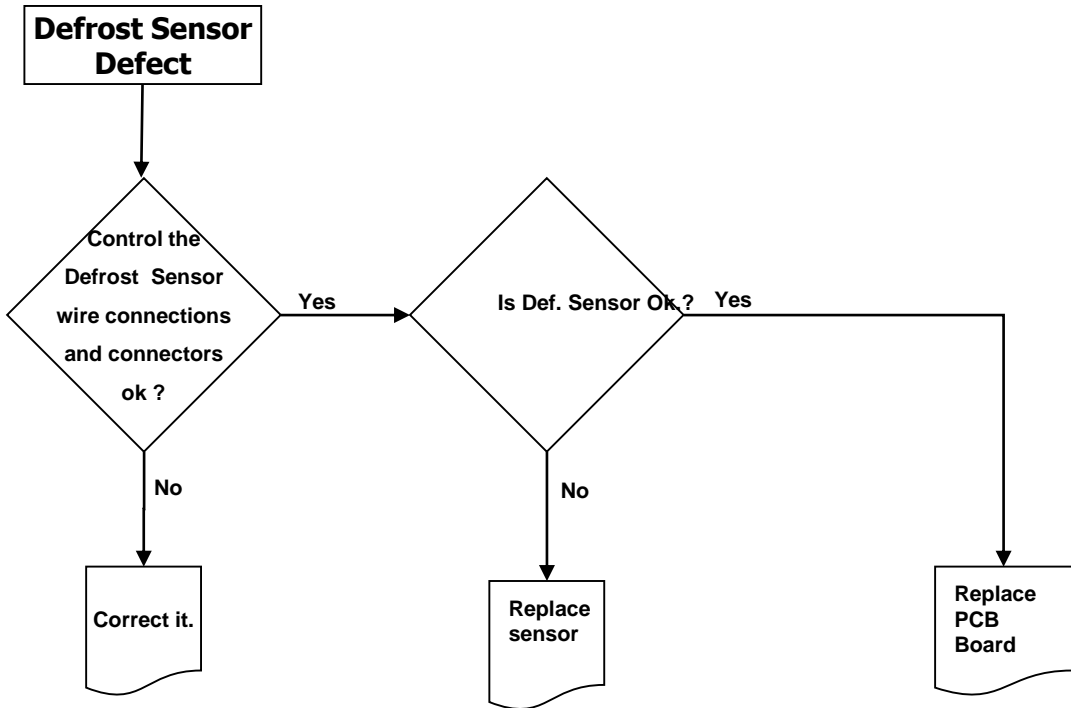
**CUSTOMER  
SUPPORT**

### Service Mode

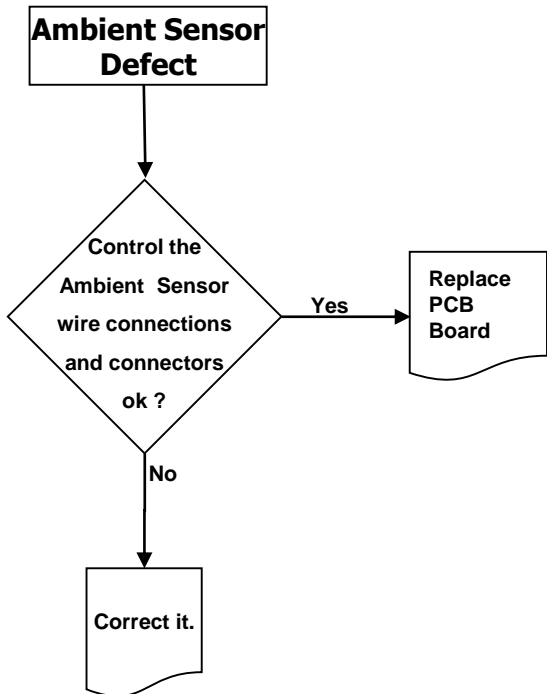
To cancel Service Mode : You can use same method as entering the Service Mode.

DEFECT TYPE	USER MODE REACTION	SERVICE MODE REACTION
FREEZER SENSOR OPEN/SHORT CIRCUIT	SR Led Blinks	8 Led will light
COOLER SENSOR OPEN/SHORT CIRCUIT		6 Led will light
DEFROST SENSOR OPEN/SHORT CIRCUIT		5 Led will light
AMBIENT SENSOR OPEN/SHORT CIRCUIT	No warning is given	4 Led will light
RDS SENSOR OPEN/SHORT CIRCUIT		2 Led will light
COMRPESSOR DEFECT	SR Led Blinks	-24 Led will light
DEFROST HEATER DEFECT		-22 Led will light
LOW COOL		-18 Led will light
HIGH COOL		-16 Led will light
LOW FREEZE	No warning is given	-20 Led will light

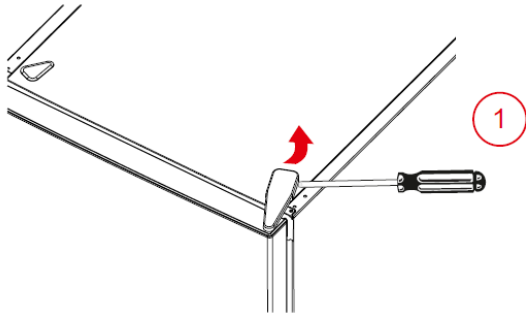




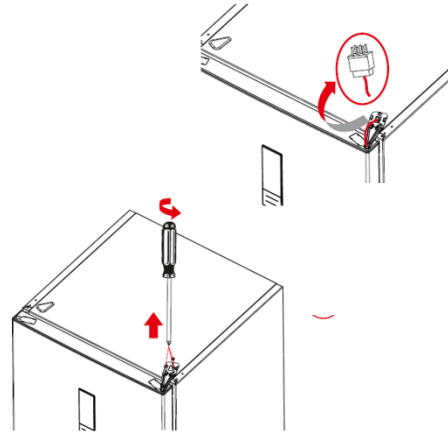
\* See page 31



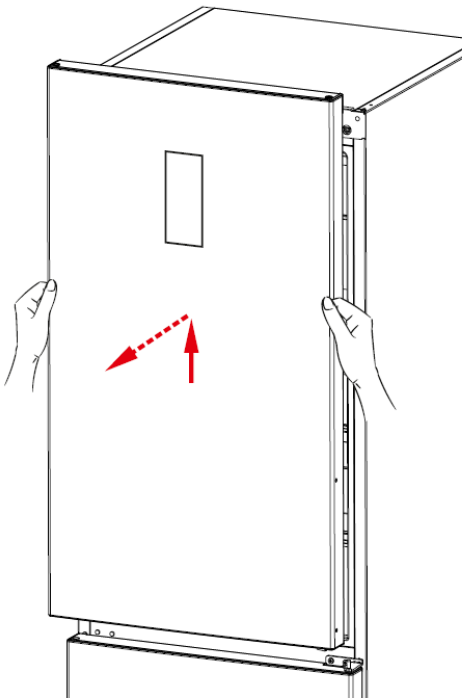
Hold the top hinge cover and  
remove it toward that direction



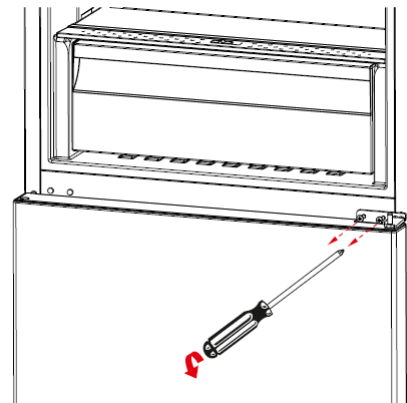
Disconnect the display connector.  
Unscrew the screws fixing the top hinge  
and remove it.



Displace the top door



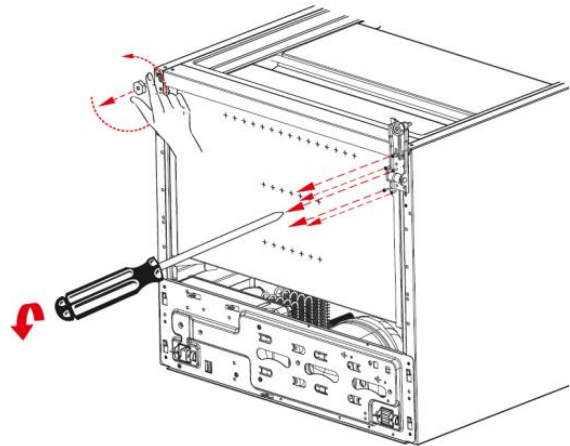
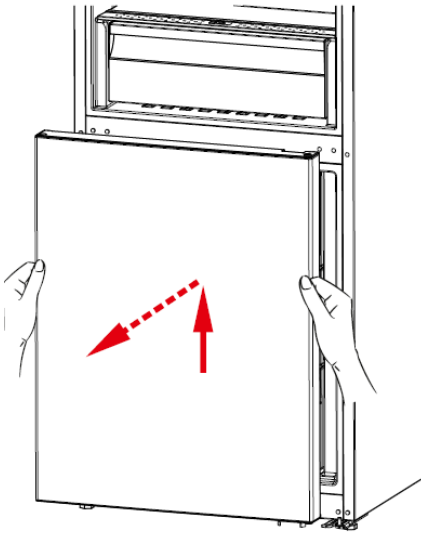
Unscrew the two screws fixing  
the middle hinge and remove it.



**Reversing the door**

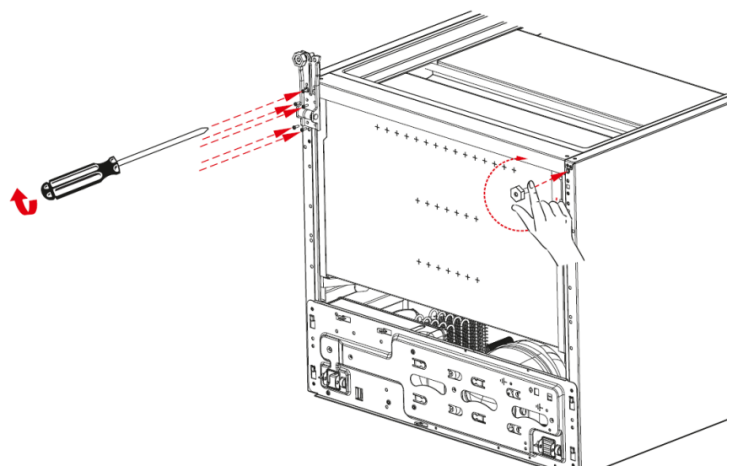
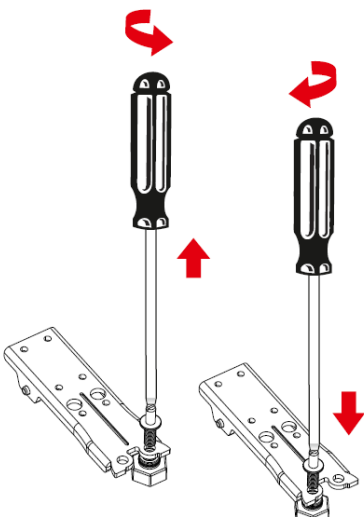
Displace the bottom door.

Unscrew the bottom hinge pin and screw it to other hole.



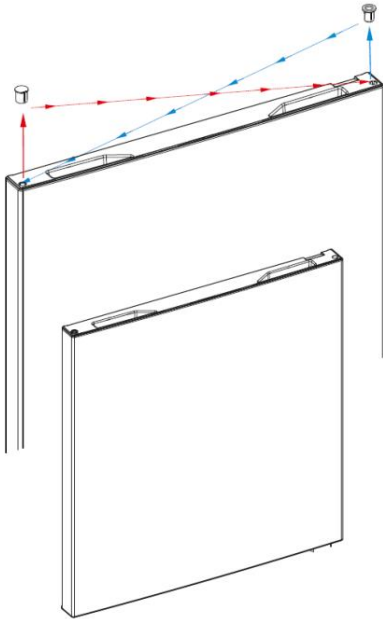
Unscrew the adjustable foot and unscrew the bottom hinge screws

Screw the bottom hinge to the left bottom side of refrigerator.  
Screw the adjustable foot there.

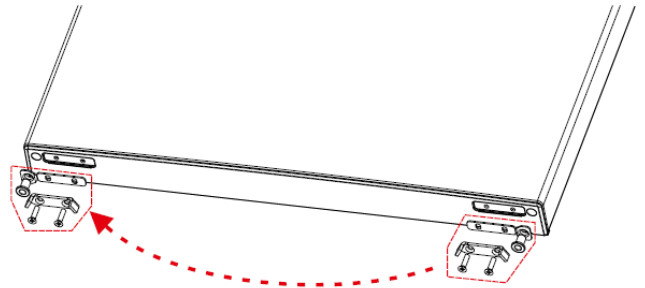


**Reversing the door**

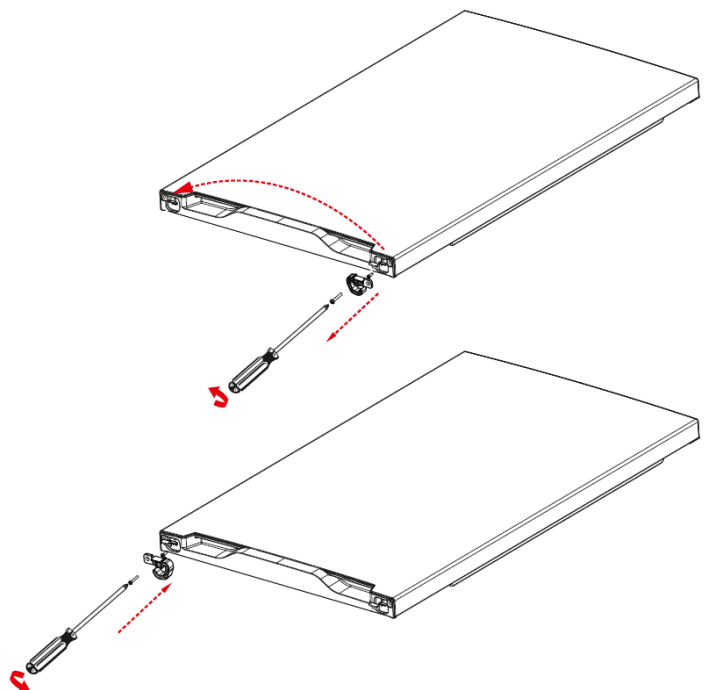
Replace the top bushing and the top bushing cap at the bottom door.



Unscrew the two screws fixing stopper and stopper support plate under the bottom door. After that screw the other side.

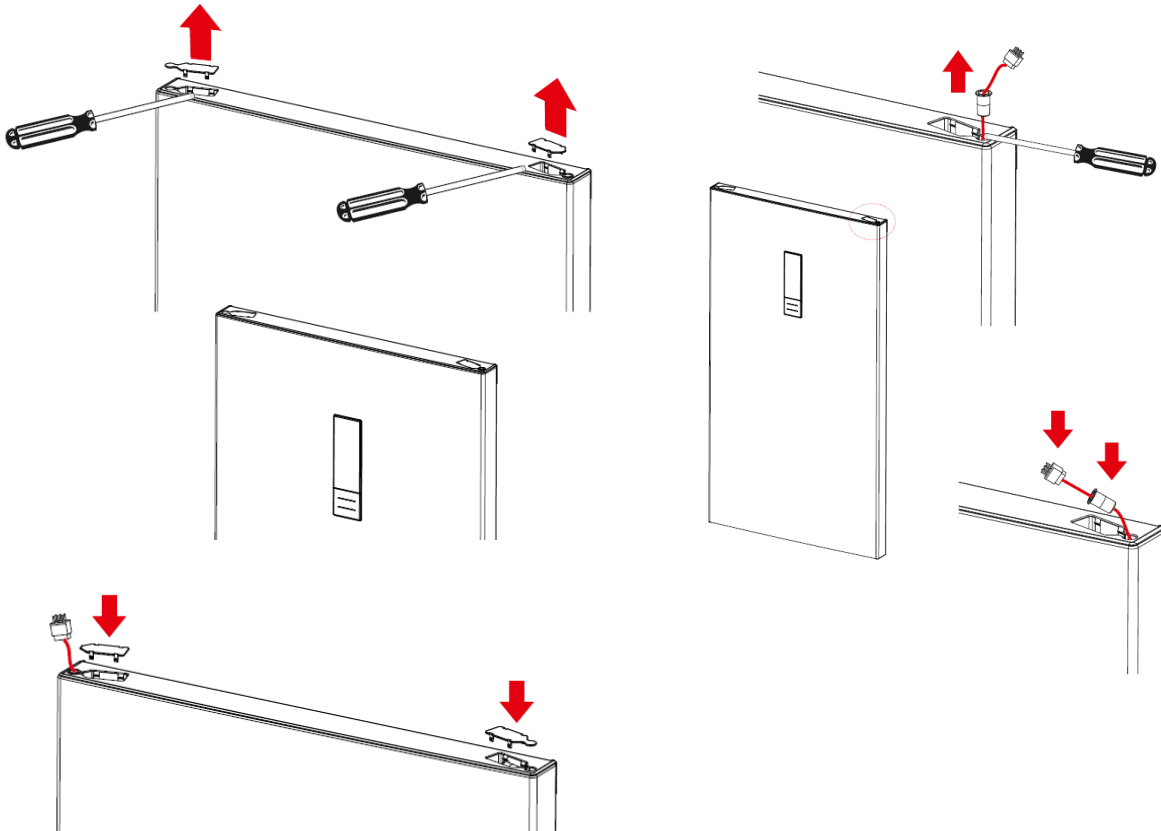


Remove the support plastic under the upper door. Then re screw these parts to the other side symmetrically.



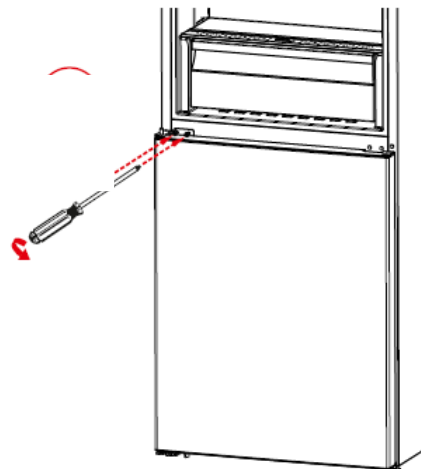
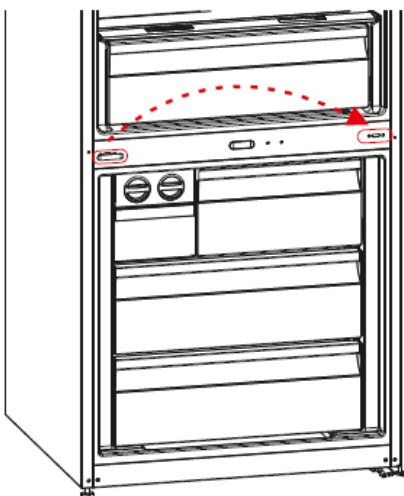
**Reversing the door**

Remove the socket cover-right of the top door. Remove the display socket. Please use the socket cover to hidden other housing.



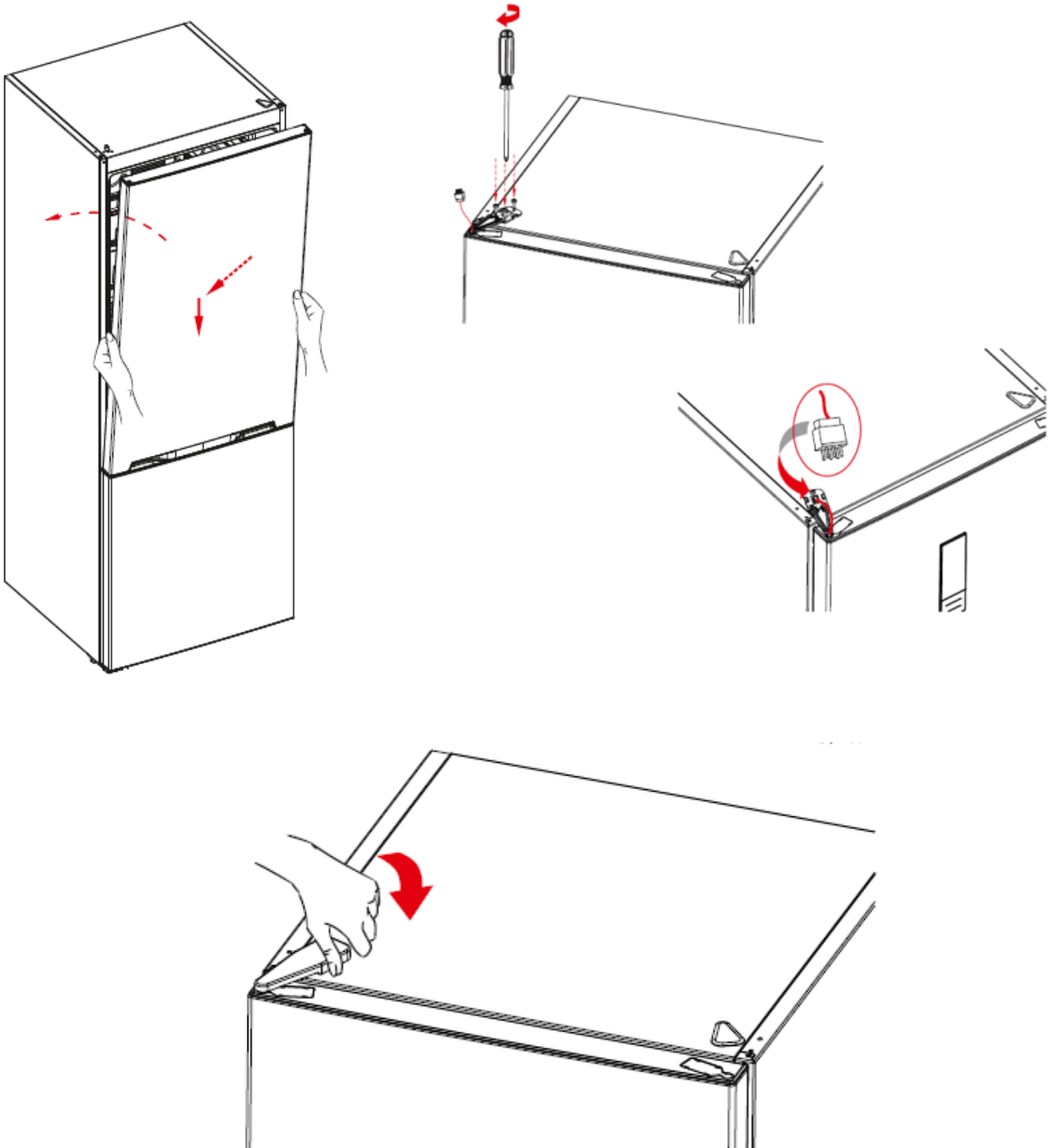
Remove the middle hinge cover and then screw the screw on the side panel and assemble to the right side panel.

Place the bottom door and rotate the middle hinge by 180°. After that, screw to the right side on the middle sheet.



**Reversing the door**

Place the top door to the middle hinge and then connect the display connector and screw the top hinge to the top panel. Place the top hinge cover.



Unscrew the screws which are fixing the main board cover.



***CAUTION: The plug must be pulled out before the mainboard group is removed.***

Pull the mainboard slightly forward and disconnect all the connectors and then replace it. Finally, place the mainboard cover and screw it.



**Side Led Version**

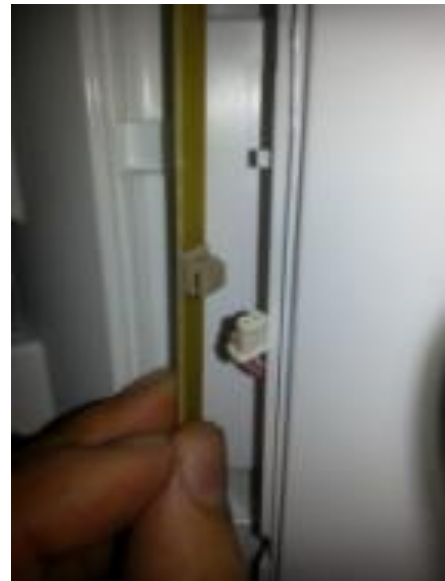
**1.** Stick a tape to protect plastic. Insert a flat screwdriver into the gap and remove the cover. (Pic-1)

**Picture-1**

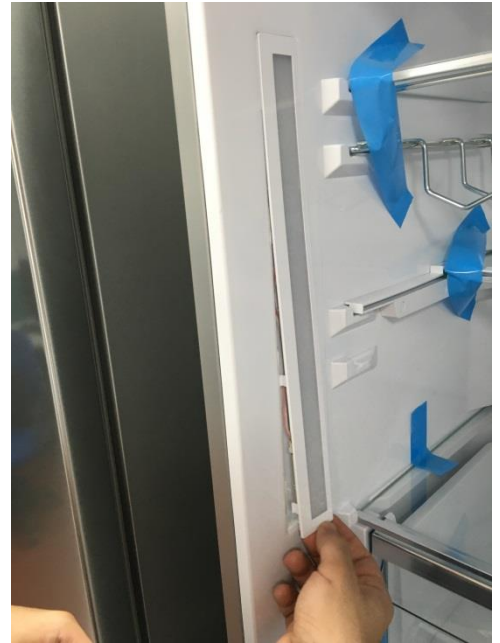
**2.** Remove the led strip light from its housing. (Pic-2)

**Picture-2**

**3.** Disconnect the connector and change the led light strip. (Pic-3)

**Picture-3**

**4.** First, place the bottom point of the led light strip and then place towards other side.(Pic-4)



**Picture-4**

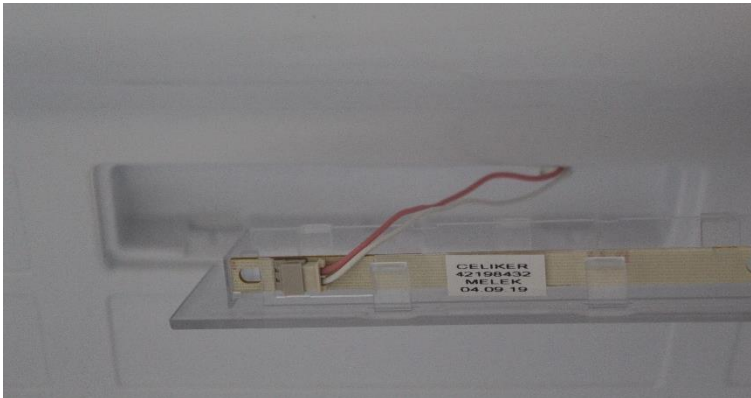
**5.** Reassemble the led cover. (Pic-5)



**Picture-5**

**Top Led Version**

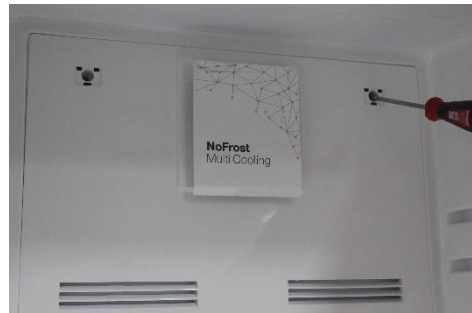
Remove the led cover by pulling forward and disconnect the connector.



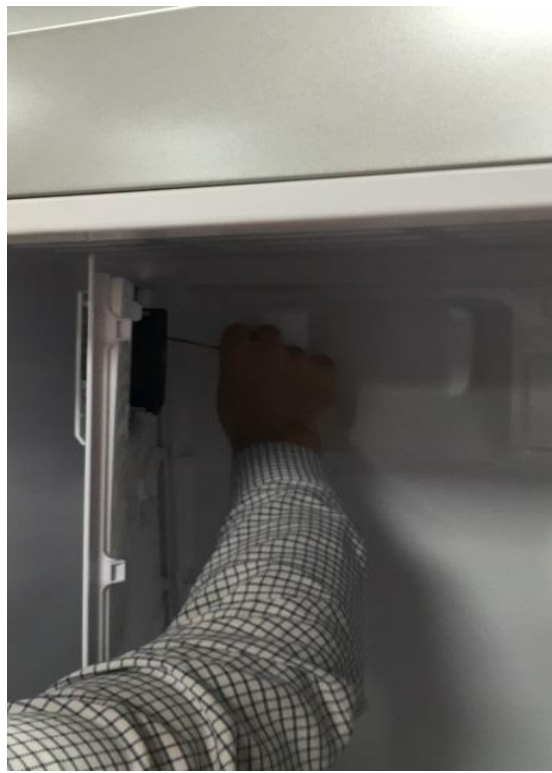
Remove the cooler glass shelves and the chiller.



Remove the screw caps by using a flat screwdriver and screw the screws.



Flex the multi flow by holding the fan cover and remove it. Disconnect the connector after removing the multi flow.



**1.** Remove the fan cover by flexing the fan cover detail and then remove the fan motor by flexing the fan motor rubbers. (Pic-1/ Pic-2/Pic-3)

**Picture-1****Picture-2****Picture-3**

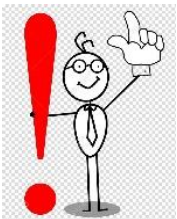
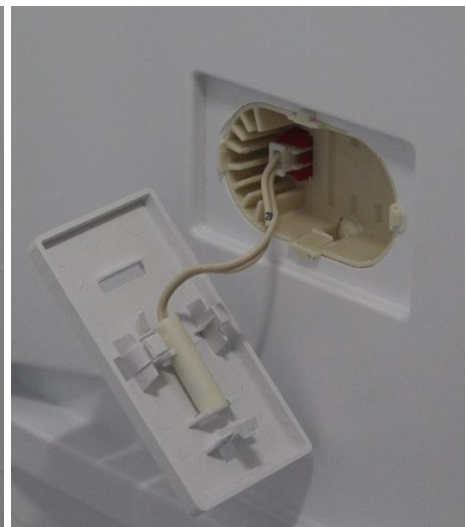
**2.** Place the rubbers to the fan motor. After that, first place the bottom two details of the fan motor and place the top two details by pressing-flexing it. (Pic-4/ Pic-5/Pic-6)

**Note :** *The fan motor cable outlet should be at the top-left corner of it.*

**3.** After the connector is connected, place it by flexing it and then reassemble the multi flow by screwing.

**Picture-4****Picture-5****Picture-6**

Remove the sensor cover with the help of a screwdriver and then disconnect the sensor connector.



***Pay attention not to damage to the sensor cover details!***

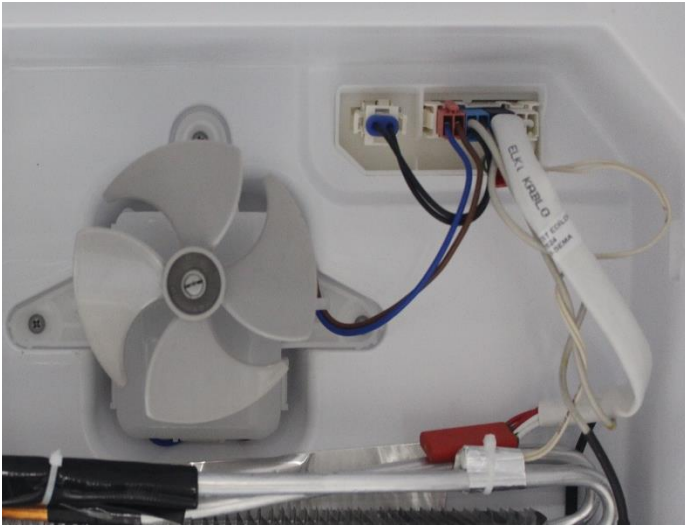
**Removing The Freezer Multi Flow Group**

1. Displace the glass shelves and baskets if there is.
2. Unscrew the screw fixing the multiflow group.
3. Removing the freezer bottom cover by flexing back side of it.
4. Remove the fan motor connector.

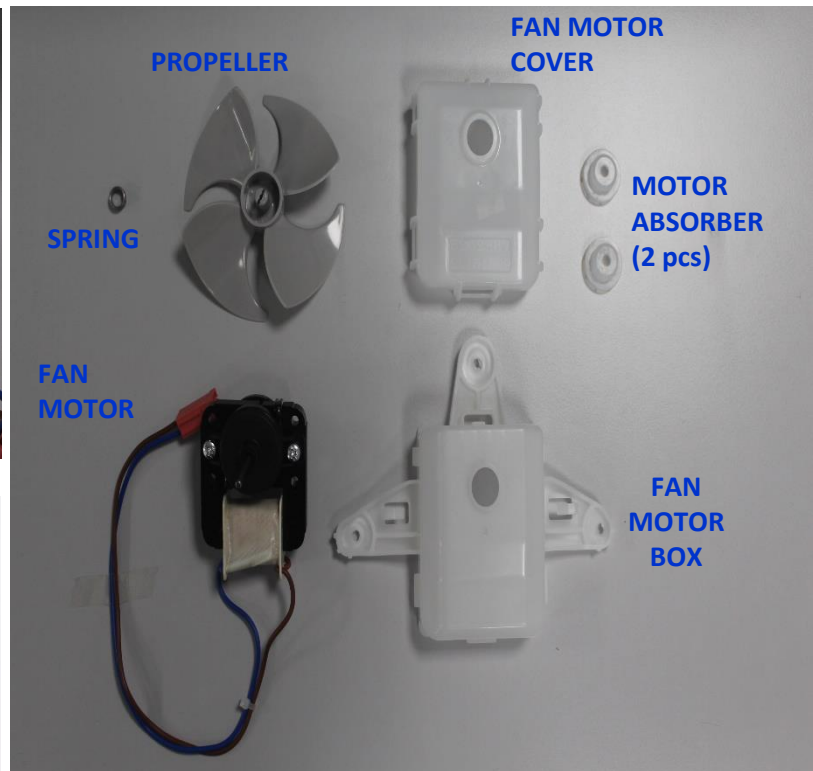
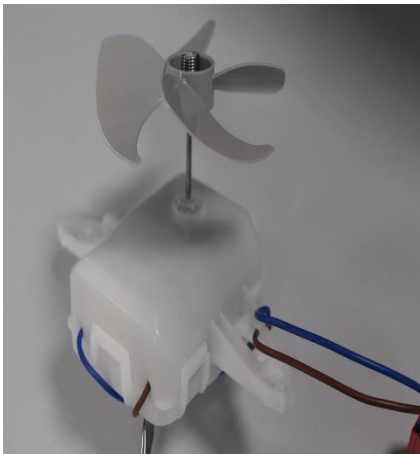


Remove the fan motor connector. (pink)

Unscrew the fan motor fixing screws and displace the fan motor.



Remove the propeller.

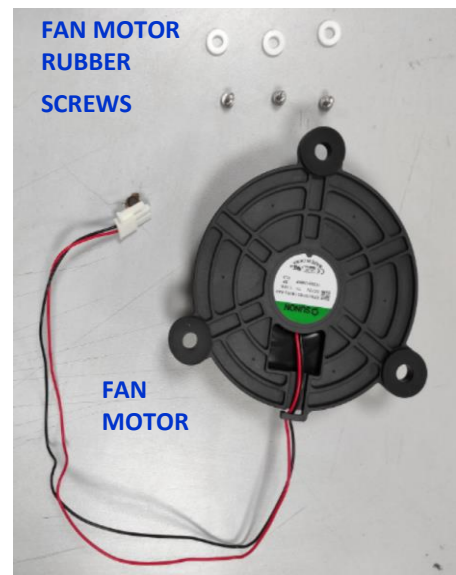


**Fan Motor Components**

1. Unscrew the air duct plastic. (Pic-1)
2. When removing the air duct plastic, pay attention to the connection of the fan socket cable. (Pic-2)
3. Remove the fan motor connector. (Pic-3)

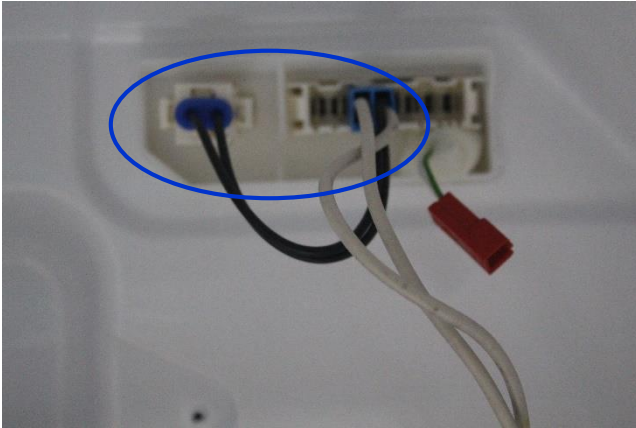
**Picture-1****Picture-2****Picture-3**

4. Unscrew the fan cover plastic on the fan motor. (Pic-4)
5. Unscrew the fan motor fixing screws and displace the fan motor. (Pic-5)

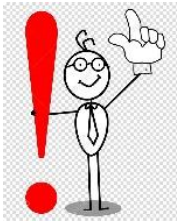
**Picture-4****Picture-5****Fan Motor Components**

Remove the fin evaporator resistance connectors from the sockets.

(**blue** connector)



Displace the fin evaporator balanced by holding on both sides.



***The fin evaporator should not be pulled upward-downward. Otherwise, the fin evaporator fixing plastics might be broken.***

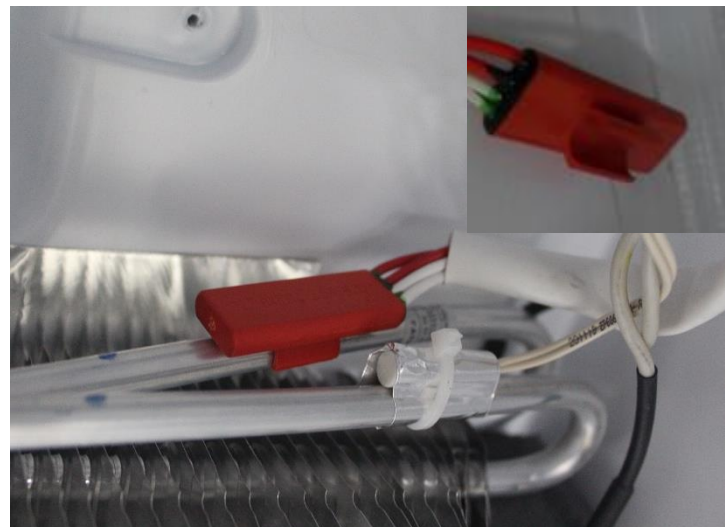
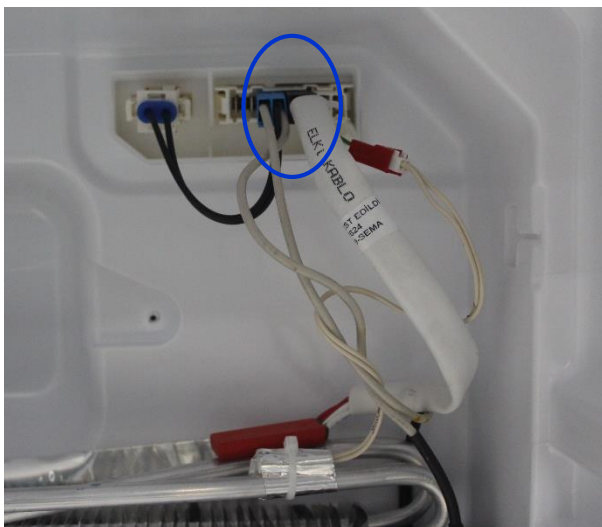
### Removing The Thermal Fuse

Remove the thermal fuse connector.

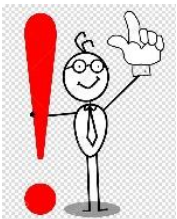
(**black-white** connector)

Thermal fuse has two details. These details hold on to the pipe.

It could be removed easily.



Remove the sensor cover with the help of a screwdriver and then disconnect the sensor connector.



***Pay attention not to damage to the sensor cover details!***

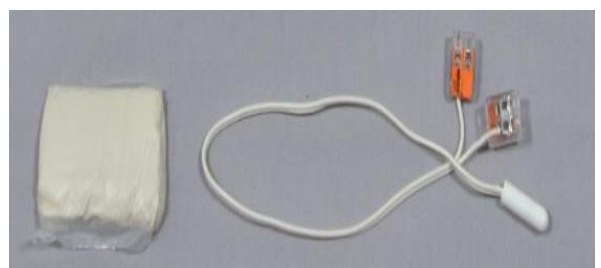
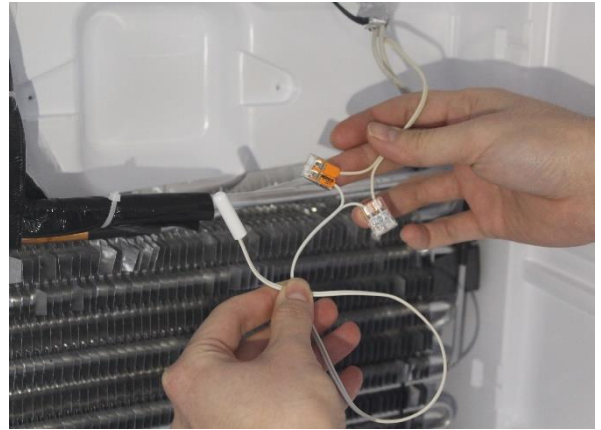
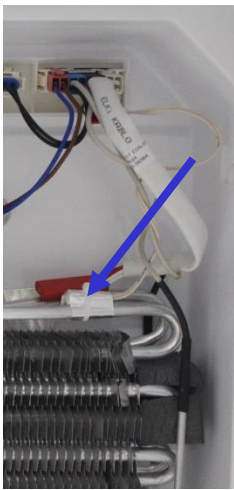
Displace the defrost sensor from its location. Cut the end of the sensor cable by using pliers/side cutting pliers.

Connect the cut sensor cable ends to each other as separate clips.

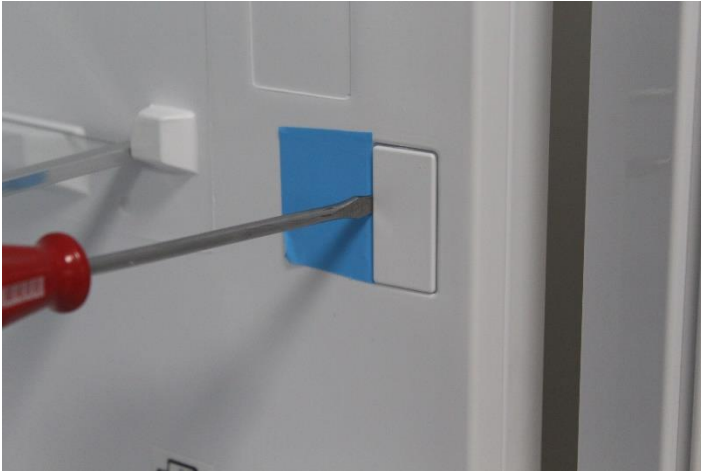
Immobilize the sensor resistance's end its previous position by using cable bant.

In order to prevent oxidation on the metal end of clips. You can use paste which is founded in kit.

Excessive part of the cable should not be left scattered in order not entanglement on the fan motor. It should be fixed with a separate cable bant.

**32049074 - SENSOR SERVICE KIT**

Stick a tape to protect plastic. Insert a flat screwdriver into the gap and remove the reed switch.



**NOTE:** Reed Switch is a very sensitive miniature electronic card. So during the assembly and disassembly be carefull not to damage it.

During the disassembly of the reed switch, there is a step on the edge of the plastic part which provides easier dissassembly and by that tool it can be taken out from the same place every time.

It must be assembled as this step should be in the invisible(inside of the refrigerator)part. Otherwise The distance which the lamp turn on/off may change.

After the assembly or replacement the service should check if the reed switch is damaged by giving energy and opening and closing the door.

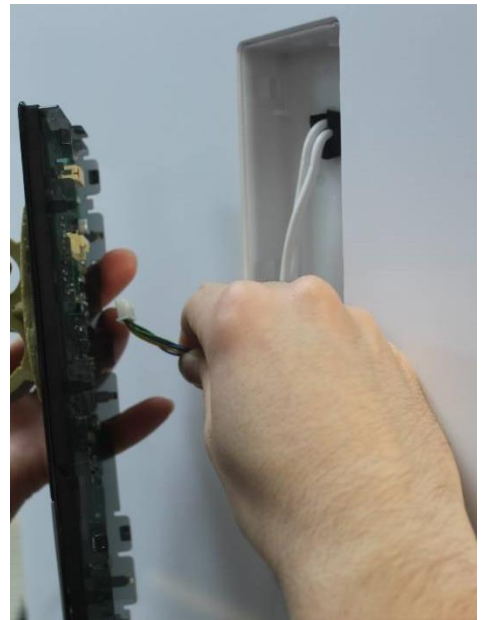


***CAUTION: The plug must be pulled out before the display is removed.***

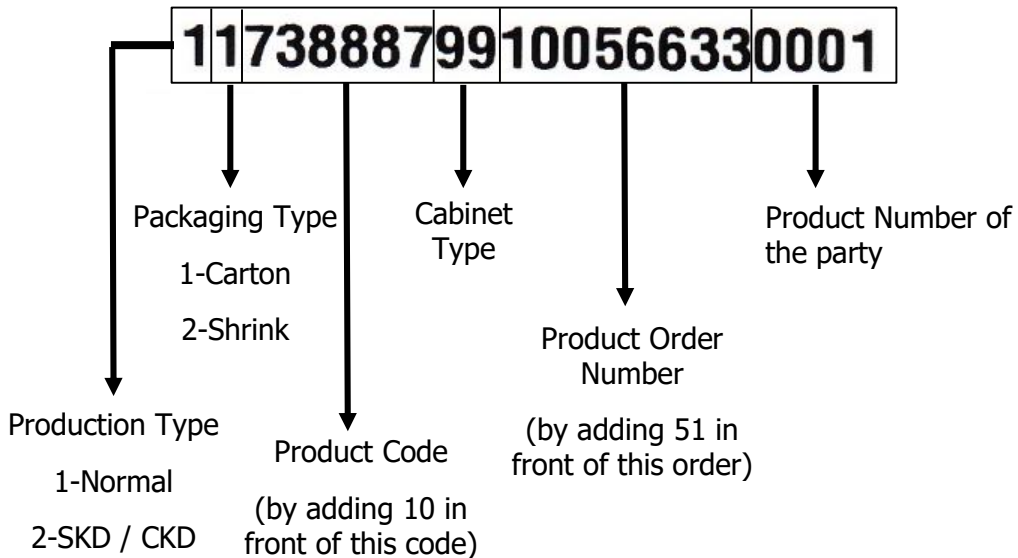
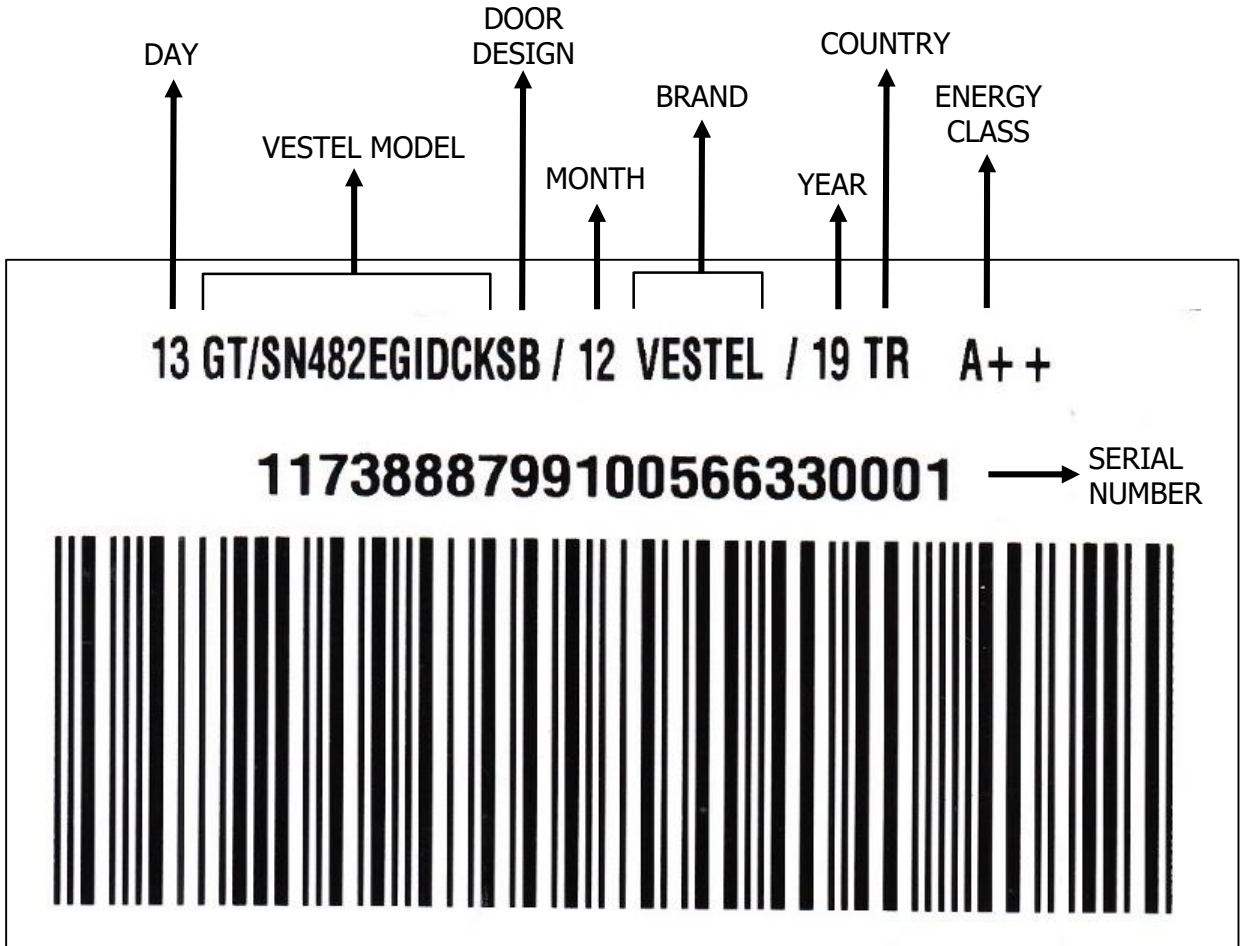
Display can be removed with the disassembly tool. Do not use any sharp objects to remove the display.

Place and fix the disassembly tool on to display and pull to take out the display.

Take out the display cable socket.



Vestel refrigerator serial numbers are consist of 22 digits.



**Exp:10738887**