

1. Fridge temperature setting
2. Super Cooling mode indicator
3. Eco mode indicator
4. Alarm indicator
5. Child Lock mode indicator
6. Mode Selector
7. Decrease value
8. Increase value
9. Child Lock Selector

Super Cool Mode

Purpose

- To cool and store a large quantity of food in the fridge compartment.
- To quickly cool drinks.

How to use

- Press the decreasing button (#7 on control panel diagram), repeatedly until the 'Super Cool logo appears' (#2)
- Once the Super Cool mode has been set, the machine will beep to confirm the mode has been switched on.
- After the beep the last temperature of the fridge will appear on screen.

During this mode:

- Economy mode cannot be selected whilst Super Cool is active.
- You can press the temperature setting increasing button (#8) to deactivate super cooling mode.

NOTE: Depending on the ambient temperature, super cooling mode will automatically be cancelled when the fridge has reached the required temperature.



Economy Mode

Purpose

Energy savings. During periods of less frequent use (door opening) or absence from home, such as a holiday, Eco program can provide optimum temperature whilst saving power.

How to Use

- Push mode select button (#6 on control panel diagram) until the 'Eco Mode' icon appears (#3).
- If no button is pressed for 1 second, mode will be set. Economy symbol will blink 3 times.
- After the beep the fridge temperature setting (#1) will display an 'E'.
- Economy mode symbol and E will light till mode finishes.

During this mode:

- The fridge temperature may be adjusted however the adjustment will not be made until Eco Mode is cancelled.

When economy mode is cancelled, the selected setting value will be activated and the temperature will be adjusted.

- Super Cool mode can be selected, however by selecting mode, Eco Mode is cancelled immediately.
- Eco Mode can be cancelled by pressing the button (#6).



Screen Saver Mode

Purpose

This mode saves energy by switching off all control panel lighting when the panel is left inactive.

How to Use

- Screen saver mode will be activated automatically after 30 seconds.
- If you press any key while the lighting of the control panel is off, the current machine settings will reappear on the display to let you make any change you wish.
- If you do not cancel the screen saving mode or press any key for 30 seconds, control panel will remain off.

To deactivate the screen saving mode,

- To cancel the screen saving mode, first of all, you need to press any key to activate the keys and then press and hold the Mode select button (#6) for 3 seconds.
- To active the screen saving mode, you need to press mode button simultaneously 3 seconds
- To reactivate screen saving mode, press and hold the Mode select button (#6) for 3 seconds.



The Child Lock Function

Purpose

Child lock can be activated to prevent any accidental or unintentional changes being made to the appliance settings.

Activating Child Lock

Press and hold child lock select button (#9) for 5 seconds. After the mode has been selected, the lock symbol (#5) will appear on the display.

Cancelling Child Lock

Press and child lock select button (#9) for 5 seconds.



The Door Alarm Function

If fridge door is left open for more than 2 minutes, the appliance will beep.



375-ELECTRONIC ARES DISPLAY



Display and control panel

Cooler Temperature Settings

- Users can use the decreasing or increasing button (#7 / #8) to set the temperature (8, 7, 6, 5, 4, 3, 2°C and Super Cool Mode).
- If Super cooling mode or Eco mode is activated, the temperature will not change until the mode is cancelled.



Recommended Temperature Values for Cooler

When to adjust	Inner Temperature (°C)
For cooling the fridge at minimum capacity	7°C, 8°C
In normal usage	4°C, 5°C, 6°C
For cooling the fridge at maximum capacity	2°C, 3°C

Warnings for temperature settings

- The ambient temperature, temperature of the freshly stored food and how often the door is opened, affects the temperature in the refrigerator compartment. If required, change the temperature setting.
- It is not recommended that you operate your fridge in environments colder than 10°C .
- The temperature setting should be set by taking into consideration how often the fridge door is opened and closed, how much food is stored in the fridge and the environment in which and the positioning of the appliance.
- We recommend that when first using the fridge it should be left running for 24 hours uninterrupted to ensure it is completely cooled. Do not open the fridge door, or put food inside for this period.
- A 5 minute delay function is applied to prevent damage to the compressor of your fridge, when you take the plug out and then plug it back in again after a power cut after 5 minutes.
- Your fridge is designed to operate in the ambient temperature intervals stated in the standards, according to the climate class stated in the information label. It is not recommended that your fridge is operated in the environments which are out of the stated temperature intervals in terms of cooling efficiency.
- This appliance is designed for use at an ambient temperature within the 10°C - 43°C range.

Climate Class	Ambient Temperature °C
T	Between 16 and 43 (°C)
ST	Between 16 and 38 (°C)
N	Between 16 and 32 (°C)
SN	Between 10 and 32 (°C)



375-ELECTRONIC ARES DISPLAY



SPECIAL PROGRAMS

****Error codes can appear in normal use and they will be on a screen for 10 seconds.**

Firstly the set value, after 10 seconds "E" expression and 3 sn then «Error code (For example 01)» appearance and after 5 seconds the set value will be appear.

***Low voltage function**

When the power supply gets lower than 170 V the appliance gets to steady position.

And blink «E» and «08»

*** Freezer sensor open short circuit**

Blink «E» and «01»

*** Defrost sensor open short circuit**

Blink «E» and «03»

*** Ambient sensor open short circuit**

In normal mode, AT sensor defect will not be shown.

*** Compressor defect**

Blink «E» and «06»,

*** Defrost Heater defect**

Blink «E» and «07»,

***Low Freezing defect**

Blink «E» and «09»,

*** Door open alarm**

Door alarm sounds when the door opens more than 2 minutes continuously.



375-ELECTRONIC ARES DISPLAY



SPECIAL PROGRAMS

Low voltage function

Cooler number segment shows «--», buzzer sounds.

*** Cooler sensor open short circuit**

Blink Sr Symbol, buzzer sounds.

*** Defrost sensor open short circuit**

In normal mode, RDS sensor defect will not be shown.

*** Ambient sensor open short circuit**

In normal mode, AT sensor defect will not be shown.

*** Compressor defect**

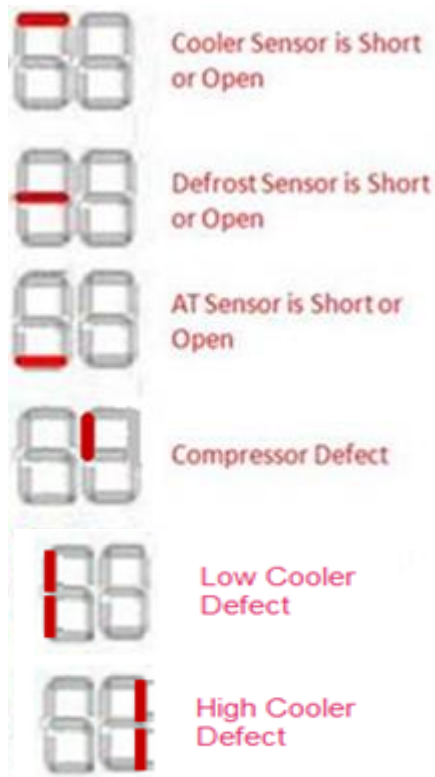
Blink Sr Symbol, buzzer sounds.

*** Door open alarm**

Door alarm sounds when the door opens more than 2 minutes continuously.

SERVICE MODE

INFORMATION SCREEN



Entering Service Mode: Push and hold Super and Mode button together for 5 seconds. When user enters to Service Mode,

In Service Mode;

First Push of Mode Button;

This mode is starting mode. All components run in order.

“6” will light when R&Su hearet will b ON

“3” will light when Fan is ON

“1” will light when compressor is ON

Second Push of Mode Button;

Service man can see actual temperatures on this screen. the sensor values are indicated in the following order;

RDS-AT-COOLER

With cooler set button, service man can toggle between sensor values.

Third Push of Mode Button;

Service man can see door open close position on this mode. So, service man can check door switch working or not.

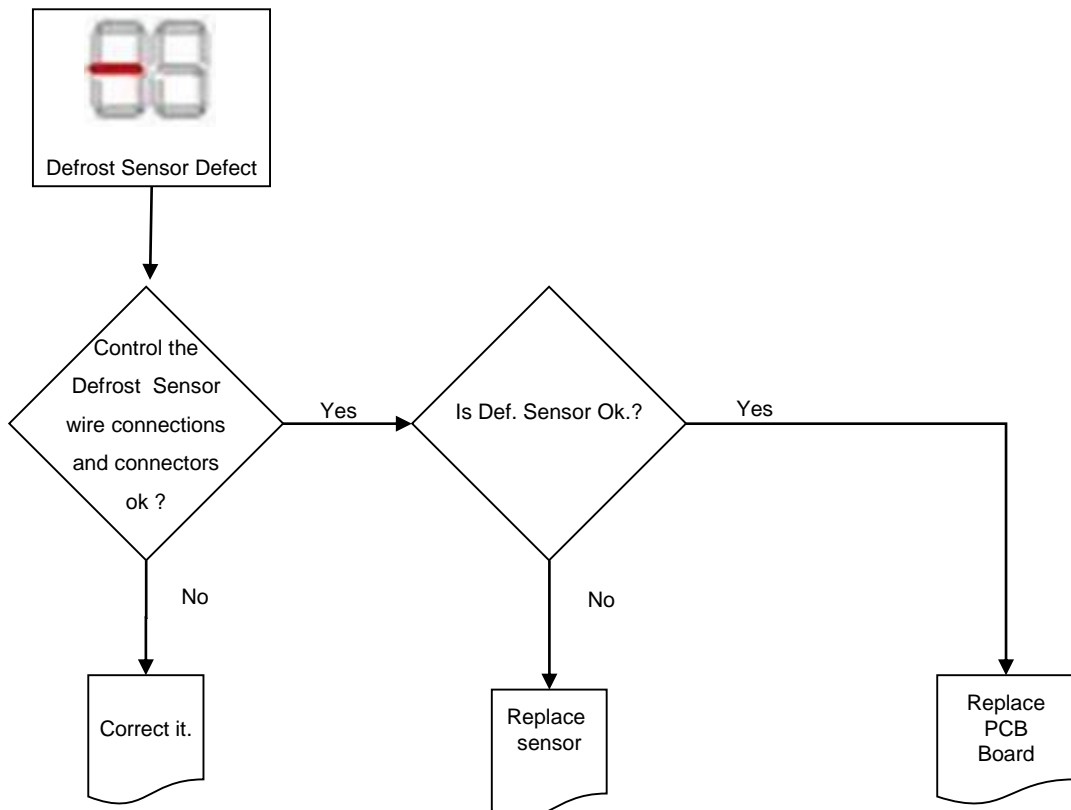
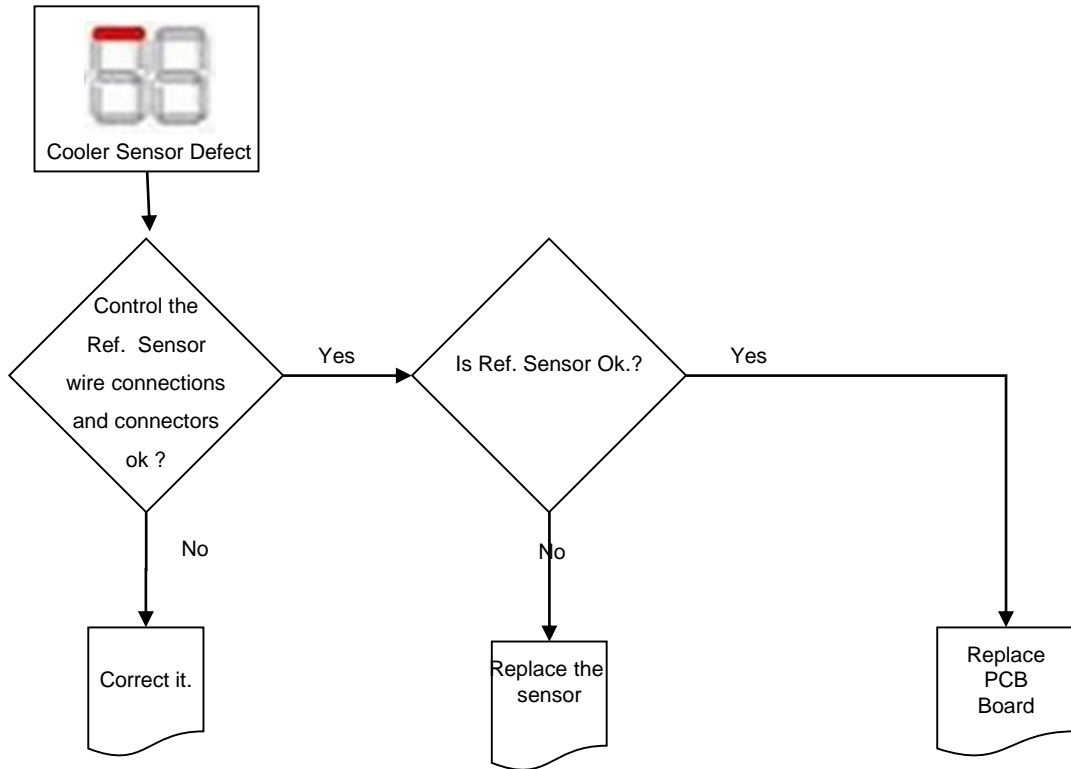
If door is open, «ON» will be seen on set value screen, if door is close, «OF» will be seen on set value screen.

**Error codes can appear in normal use and they will be on a screen for 10 seconds. Firstly the set value, after 10 seconds "E" expression and 3 sn then «Error code (For example 01)» appearance and after 5 seconds the set value will be appear.

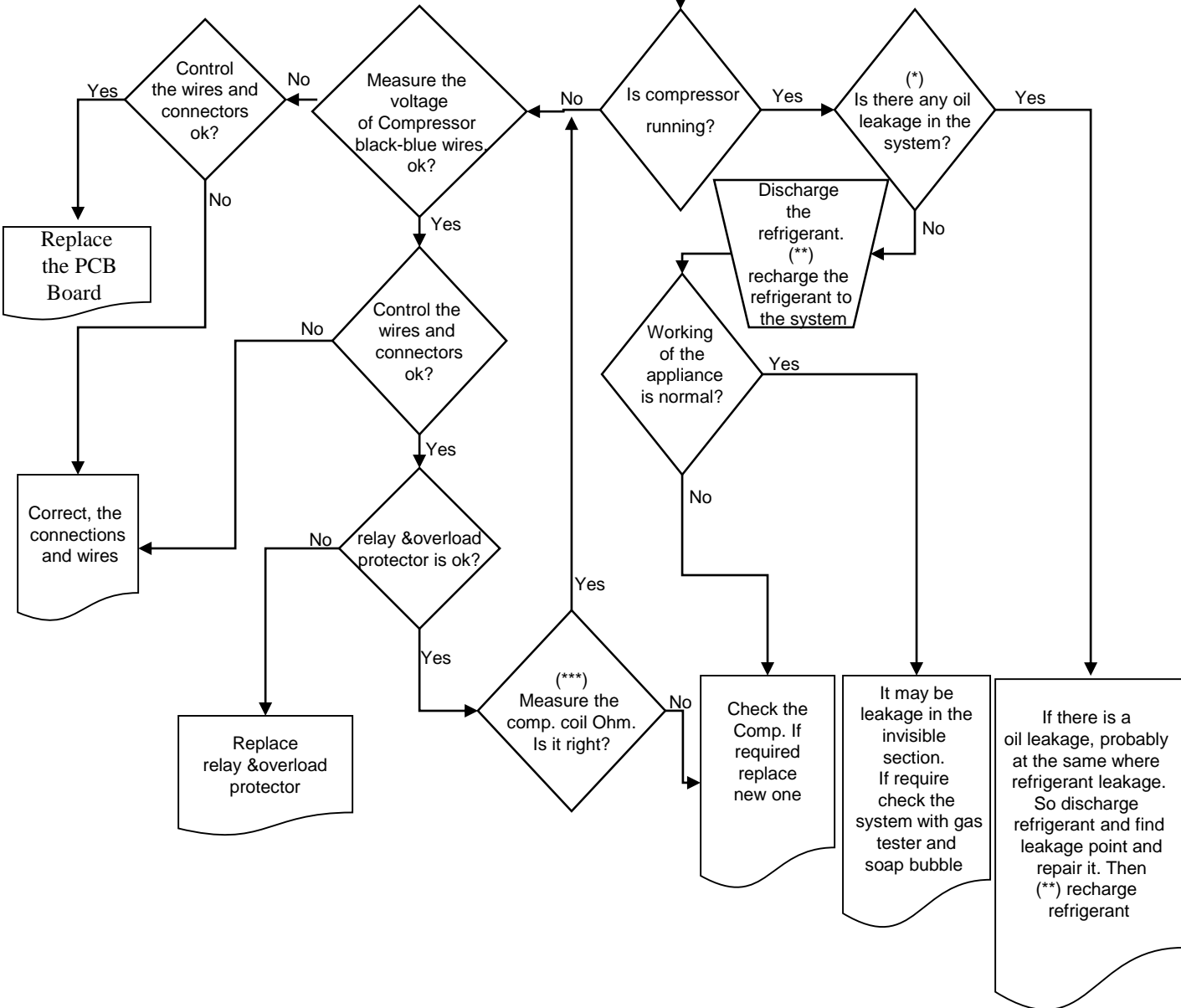
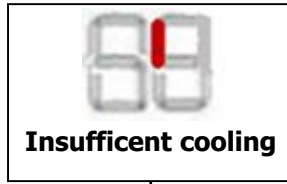
DEFECT TYPE	USER MODE REACTION	SERVICE MODE REACTION
Cooler Sensor Defect (Short-Open)	«E» and «02»	«E» and «02»
AT Sensor Defect (Short-Open)	«E» and «04»	«E» and «04»
RDH Sensor Defect (Short-Open)	«E» and «05»	«E» and «05»

DEFECT TYPE	USER MODE REACTION	SERVICE MODE REACTION
Compressor Defect	«E» and «06»	«E» and «06»
Low voltage	«E» and «08»	«E» and «08»
R sensor >15°C (LC)	«E» and «10»	«E» and «10»
R sensor <-5°C (HC)	«E» and «11»	«E» and «11»

TROUBLE-SHOOTING CHART



TROUBLE-SHOOTING CHART



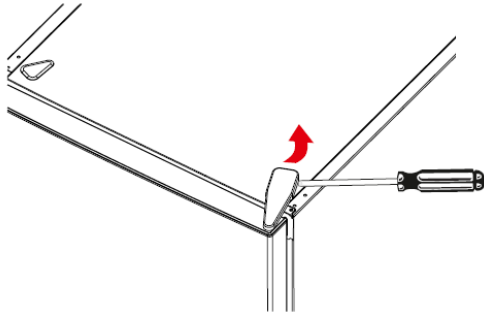
(*) Check all of the visible pipes and welding points against oil leakage

(**) Before recharging the refrigerant to the system; Dryer must be replaced and at least 30 minutes vacuum must be done

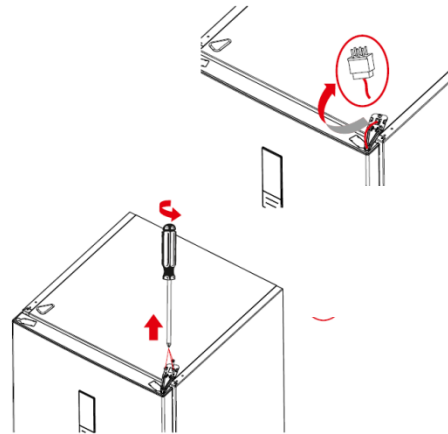
(***) Comp. Main coil and auxiliary coil are 10 Ω and 22 Ω respectively (At 25 °C ambient temp.)

Reversing the door

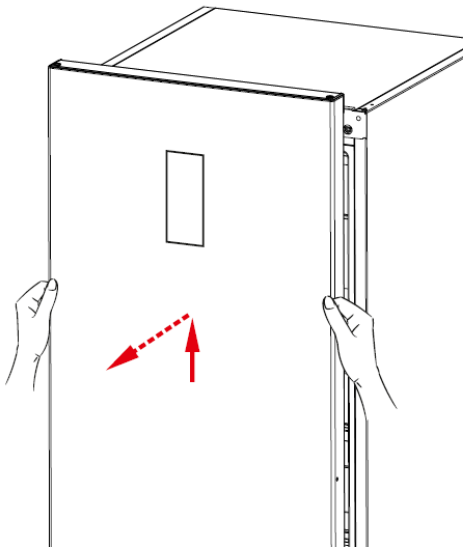
Hold the top hinge cover and remove it toward that direction



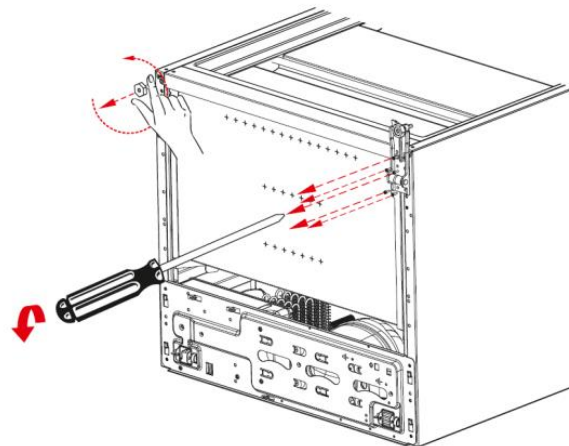
Disconnect the display connector.
Unscrew the screws fixing the top hinge and remove it.



Displace the door

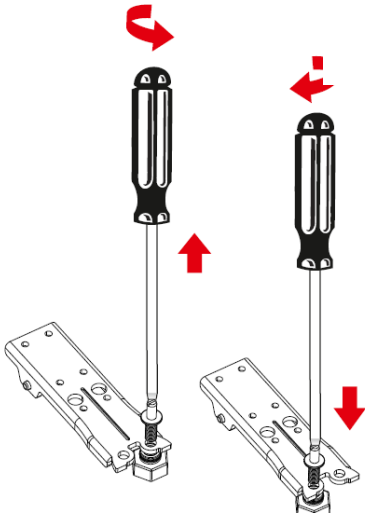


Unscrew the bottom hinge pin and screw it to other hole.

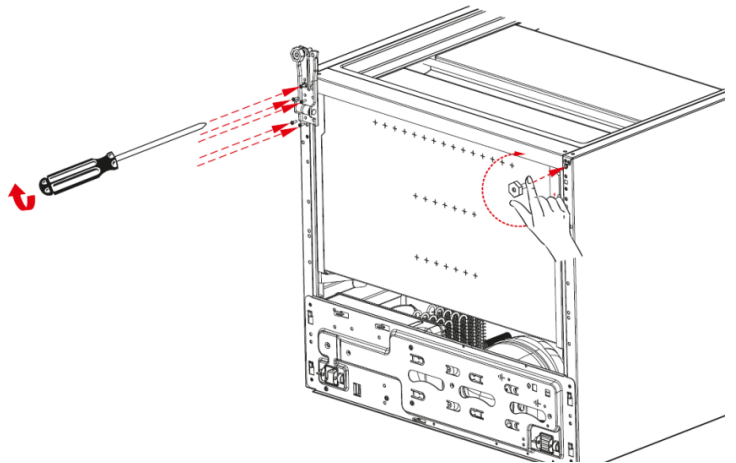


Reversing the door

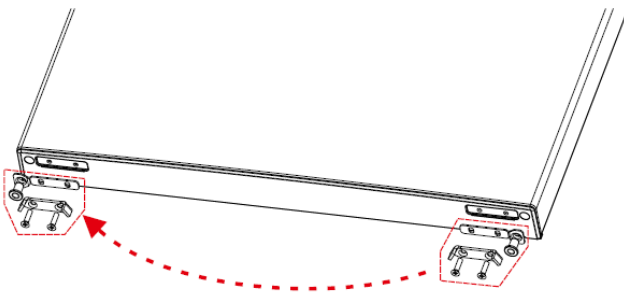
Unscrew the adjustable foot and unscrew the bottom hinge screws



Screw the bottom hinge to the left bottom side of refrigerator. Screw the adjustable foot there.

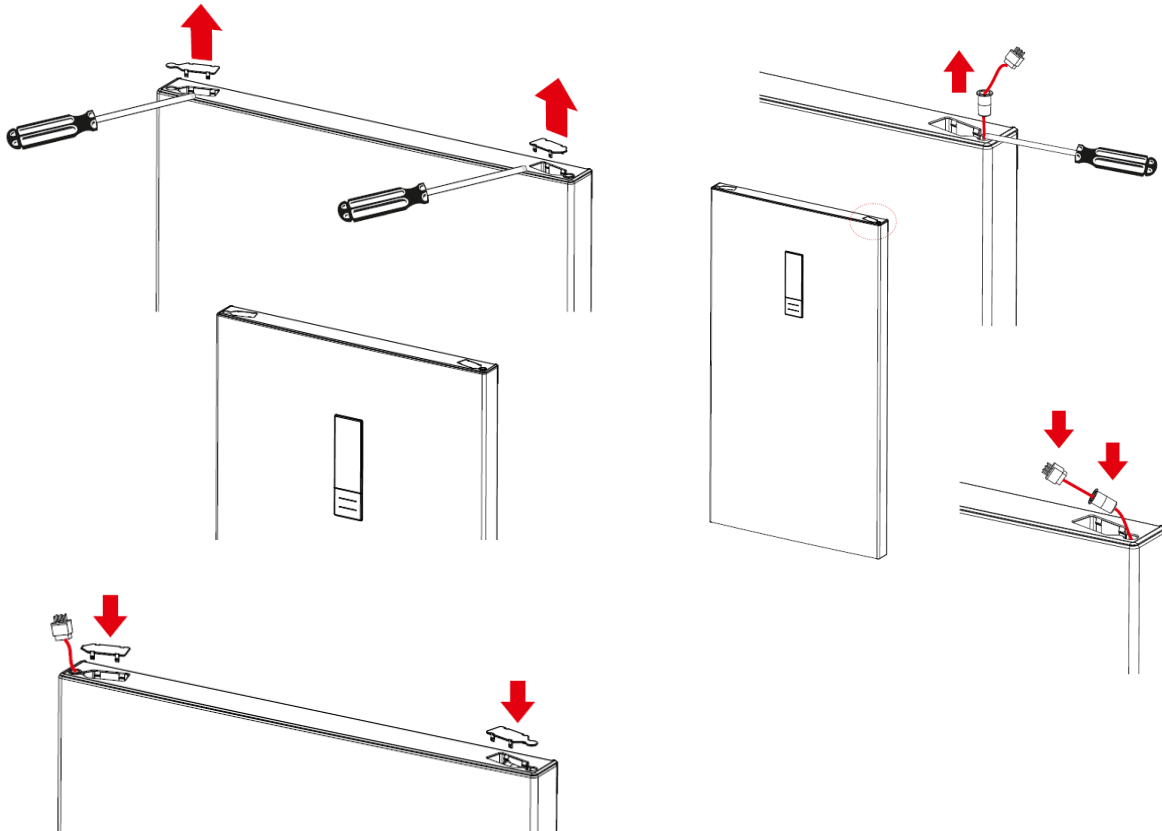


Unscrew the two screws fixing stopper and stopper support plate under the bottom door. After that screw the other side.



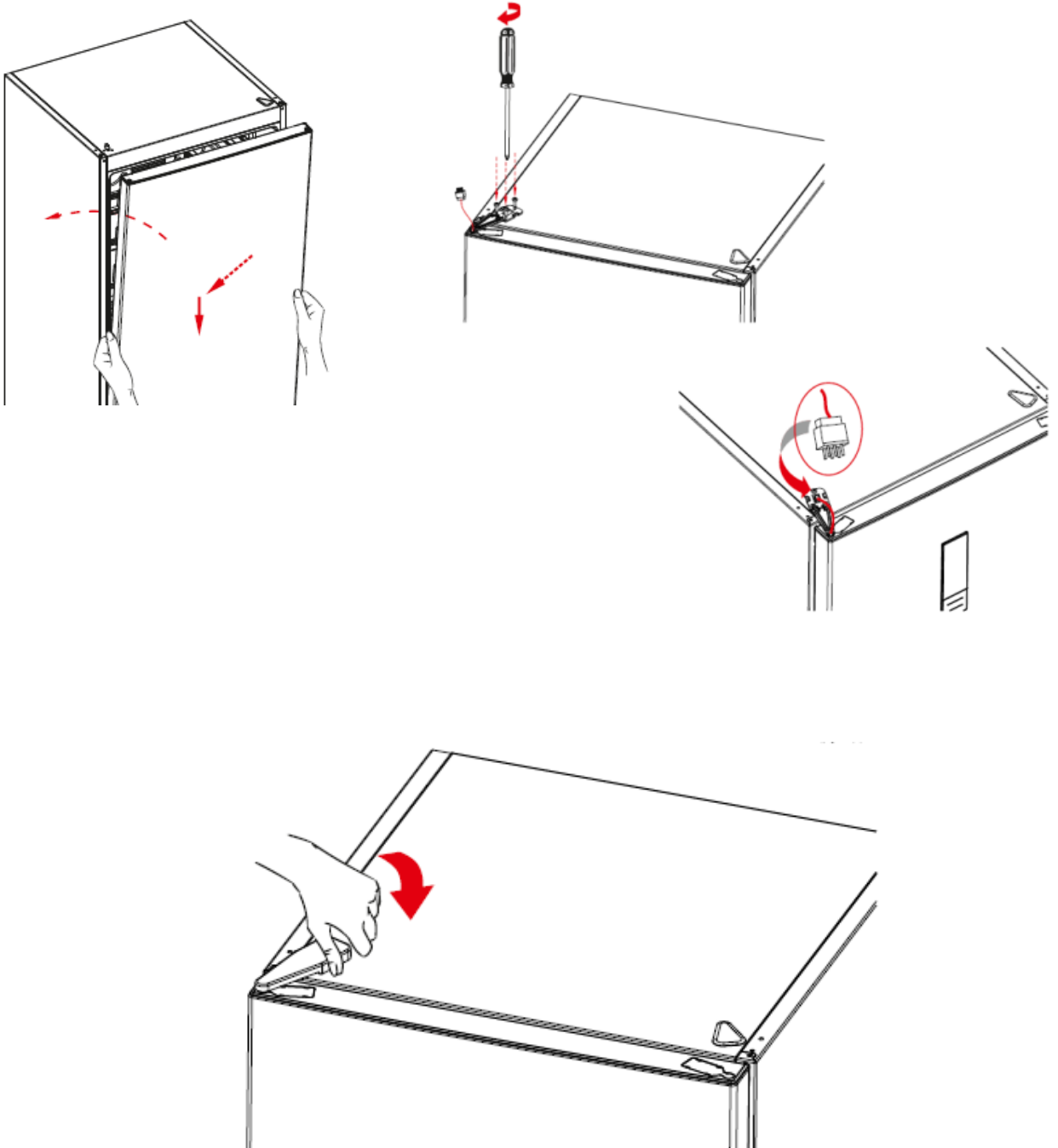
Reversing the door

Remove the socket cover-right of the top door. Remove the display socket. Please use the socket cover to hidden other housing.



Reversing the door

Place the door to the bottom hinge and then connect the display connector and screw the top hinge to the top panel. Place the top hinge cover.





Warning: The plug must be pulled out before the display is removed.

1. Display can be removed with the disassembly tool. Do not use any sharp objects to remove the display.
2. Disassembly tool code is **42152193** (Picture-1)



Picture-1

3. Place and fix the disassembly tool on to display and pull to take out the display. (Picture-2)

4. Take out the display cable socket. (Picture-3)



Picture-2



Picture-3

1. Remove the refrigerator glass shelves. (Picture-1/ Picture-2)



Picture-1



Picture-2

2. Remove the plugs by pulling them under the base with a pointed device to remove the screw plugs and remove the screws. (Picture-3)



Picture-3

3. Keep the air duct by the fan cover and stretch it. Get rid of the nails. Remove the socket after the air duct is removed. (Picture-4)



Picture-4

1. You can remove the fan cover by flexing the fan cover nails
2. Remove the fan motor by flexing the fan motor rubbers. (Picture-1 / Picture-2 / Picture-3)



Picture-1



Picture-2



Picture-3

3. Attach the rubbers to the fan motor and montage the fan motor in the air duct with the help of rubber. Place the 2 nails under the fan cover ve assemble by flexing the top nail (Picture-4 / Picture-5 / Picture-6)

*: Fan Motor cable output must be **RIGHT-CORNER** when viewed from the front of the part

4. After attaching in the socket, place the part and secure the air duct by screwing.



Picture-4



Picture-5



Picture-6

Unscrew the screws which are fixing the main board cover.



CAUTION: The plug must be pulled out before the mainboard group is removed.

Pull the mainboard slightly forward and disconnect all the connectors and then replace it. Finally, place the mainboard cover and screw it.



Side Led Version

1. Stick a tape to protect plastic. Insert a flat screwdriver into the gap and remove the cover. (Pic-1)



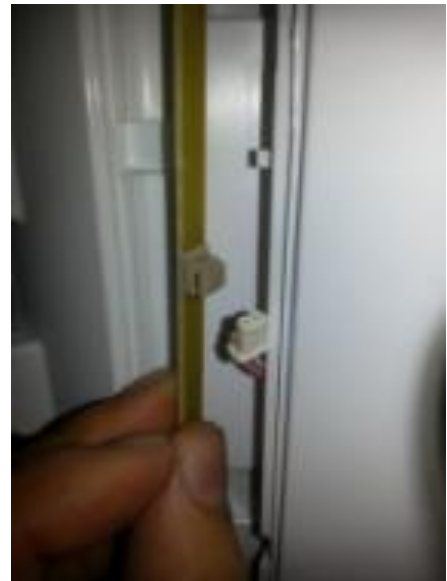
Picture-1

2. Remove the led strip light from its housing. (Pic-2)



Picture-2

3. Disconnect the connector and change the led light strip. (Pic-3)



Picture-3

4. First, place the bottom point of the led light strip and then place towards other side.(Pic-4)



Picture-4

5. Reassemble the led cover. (Pic-5)



Picture-5

Top Led Version

Remove the led cover by pulling forward and disconnect the connector.



Remove the sensor cover by pulling forward and disconnect sensor connector.
(Picture-1 / Picture-2)



Picture-1

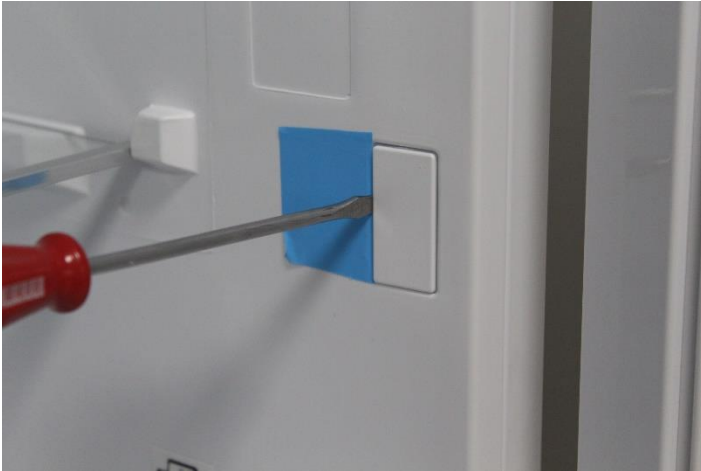


Picture-2



Warning: Pay attention not to damage to the sensor cover details!

Stick a tape to protect plastic. Insert a flat screwdriver into the gap and remove the reed switch.



NOTE: Reed Switch is a very sensitive miniature electronic card. So during the assembly and disassembly be careful not to damage it.

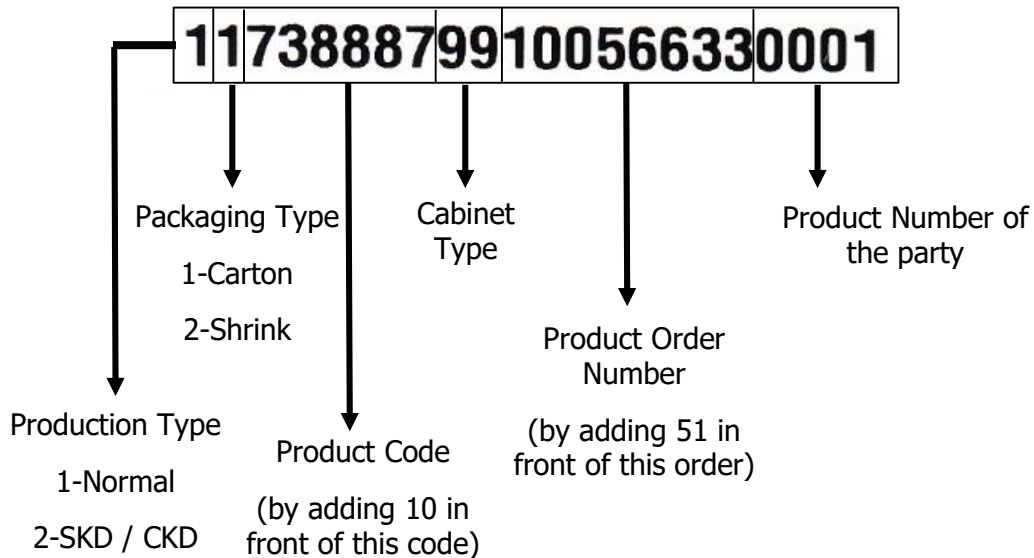
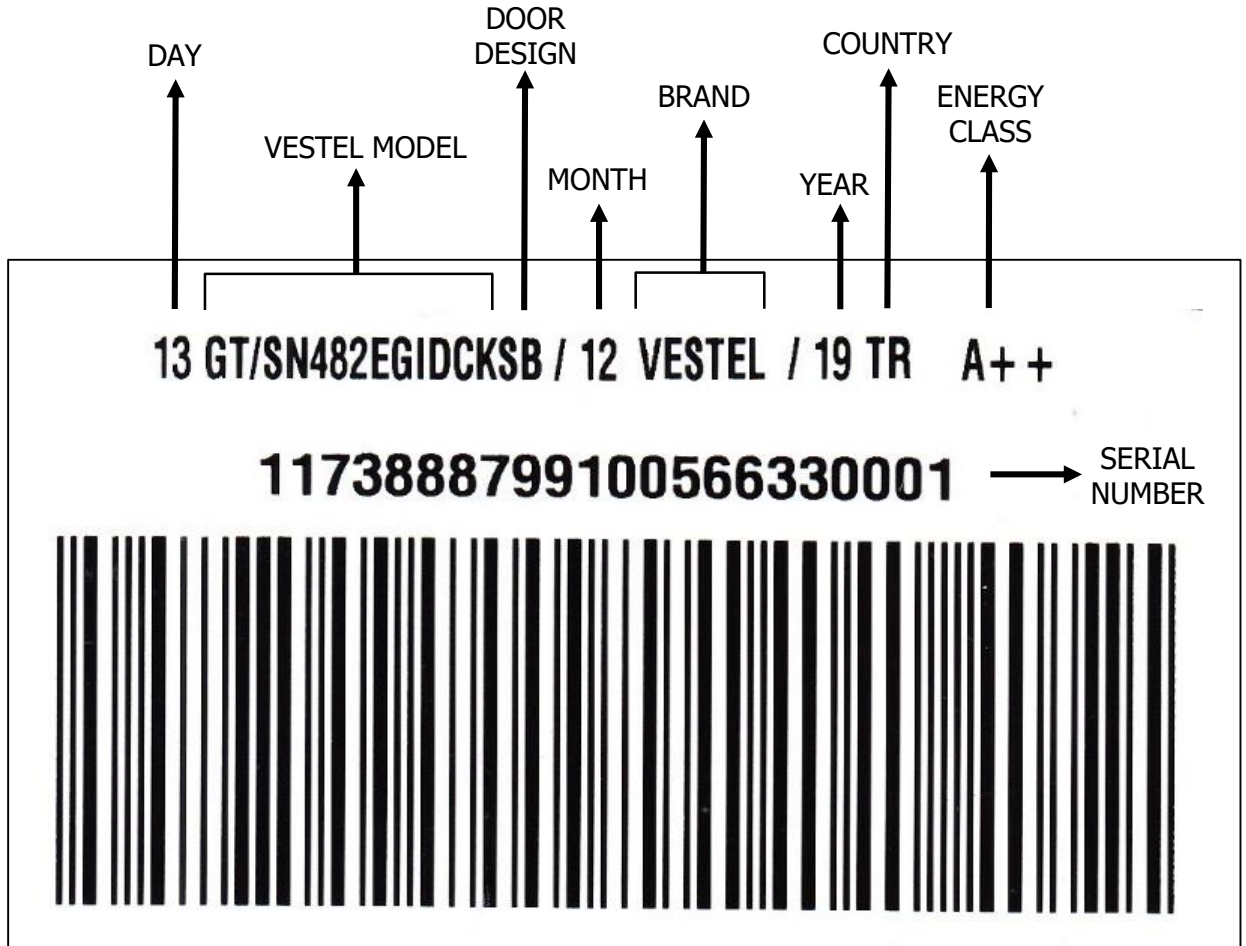
During the disassembly of the reed switch, there is a step on the edge of the plastic part which provides easier disassembly and by that tool it can be taken out from the same place every time.

It must be assembled as this step should be in the invisible (inside of the refrigerator) part. Otherwise the distance which the lamp turns on/off may change.

After the assembly or replacement the service should check if the reed switch is damaged by giving energy and opening and closing the door.

Barcode and Serial Number Explanation:

Vestel refrigerator serial numbers are consist of 22 digits.



Exp:10738887