

1. Hold the top hinge cover and remove it toward that direction (Picture-1)



Picture-1

2. Unscrew the screws fixing the top hinge and remove it. (Picture-2)



Picture-2

3. Displace the door (Picture-3)



Picture-3

4. Unscrew the bottom hinge screws. (Picture-4)



Picture-4

5. Unscrew the adjustable foot (Picture-5)



Picture-5

6. Unscrew the bottom hinge pin and screw it to other hole. (Picture-6)



Picture-6

7. Screw the adjustable foot (Picture-7)



Picture-7

8. Screw the bottom hinge to the left bottom side of refrigerator. (Picture-8)



Picture-8

9. Unscrew the two screws fixing stopper and stopper support plate under the door. After that screw the other side. (Picture-9)



Picture-9

9. Remove the hinge cover on the top panel and replace to other side.(Picture-9)



Picture-9

10. Place the door to the bottom hinge and screw the top hinge to the top panel. (Picture-10)



Picture-10

11. Place the top hinge cover. (Picture-11)



Picture-11

ASSEMBLE & DISASSEMBLE SENSOR

Remove the sensor cover by pulling forward and disconnect sensor connector.
(Picture-1 / Picture-2)



Picture-1



Picture-2



Warning: Pay attention not to damage to the sensor cover details!

Remove the fan motor cover. (Fig-1) Unscrew the two screws and remove the fan motor body. (Fig-2) Take out the sockets and replace the fan motor (Fig-3)

**Figure-1****Figure-2****Figure-3**

Thermostat Setting



Thermostat Control

Cooling compartment thermostat control

It ensures that the temperature settings in the cooling and freezing compartments of your frid freezer can be performed automatically. It may be set to any value ranging from the values 1 to 5. As you turn the thermostat setting knob from 1 to 5, you increase the cooling effect. To save energy in winter months, you may operate your refrigerator at a lower position.

Important note: Do not try to rotate knob beyond position 1 as it will stop your appliance.

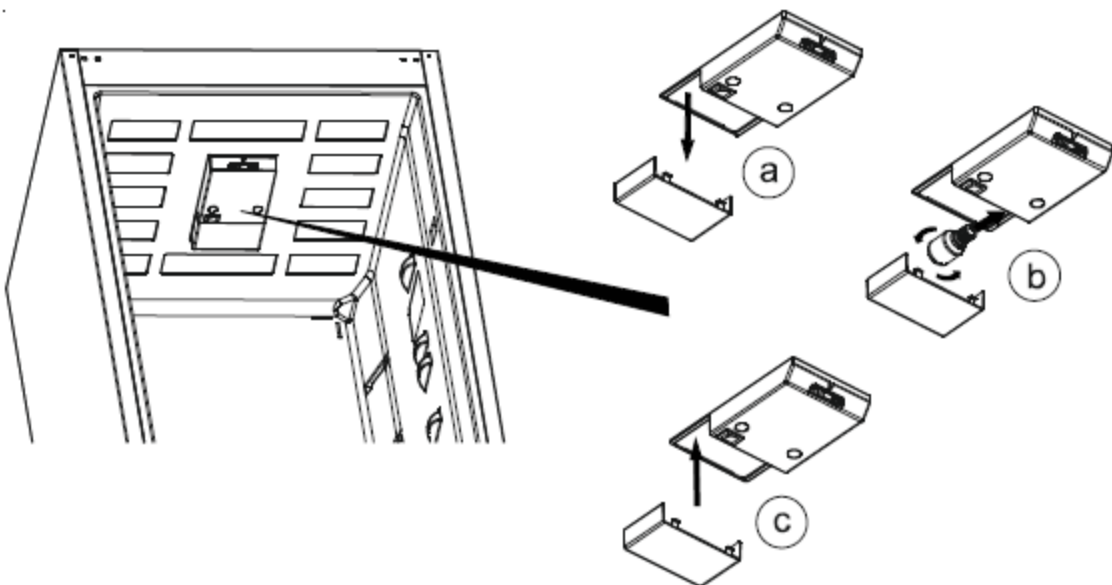
Thermostat knob;

- 5 : For further cooling.
- 3 - 4 : For normal usage.
- 1 - 2 : For less cooling.

Replacing the light bulb

To replace the bulb in the fridge compartments;

- 1- Unplug your fridge freezer.
- 2- Using a screwdriver, carefully remove the light cover from the top panel. (a)
- 3- Replace with a 15 watt bulb. (b)
- 4- Reinstall the light cover. (c)
- 5- Wait for 5 minutes before re-plugging the fridge in and restore the thermostat to its original position.



Replacing LED Lighting

If your fridge freezer has LED lighting contact the help desk as this should be changed by authorized personnel only.