

## Reversing the door

1. Hold the top hinge cover and remove it toward that direction (Pic-1)



Picture-1

2. Unscrew the three screws fixing the top hinge and remove it. (Pic-2)



Picture-2

3. Displace the top door (Pic-3)



Picture-3

4. Unscrew the two screws fixing the middle hinge and remove it. (Pic-4)



Picture-4

5. Displace the bottom door. (Pic-5)



**Picture-5**

6. Unscrew the adjustable foot (Pic-6)



**Picture-6**

7. Unscrew the bottom hinge screws. (Pic-7)



**Picture-7**

## Reversing the door

**8.** Unscrew the bottom hinge pin and screw it to other hole. (Pic-8)



**Picture-8**

**9.** Unscrew the left bottom adjustable foot and the screws fixing roller. After that screw them to other side (Pic-9)



**Picture-9**

**10.** Screw the bottom hinge to the left bottom side of refrigerator. Screw the adjustable foot there. (Pic-10)



**Picture-10**

**11.** Unscrew the two screws fixing stopper and stopper support plate under the cooler door. After that screw the other side. (Pic-11)



**Picture-11**

**12.** Replace the top bushing and the top bushing cap at the bottom door. (Pic-12)



**Picture-12**

**13.** Remove the catcher under the top door and then stopper reinforcement plate. (Pic-13.1) First, screw stopper support plate the closest one to bigger hole. Second, screw stopper without using a cordless screwdriver. (Pic-13.2)



**Picture-13.1**



**Picture-13.2**

**14.** Remove the hinge cover on the top panel and replace to other side.(Pic-14)



**Picture-14**

**15.** Remove the middle hinge cover and then screw the screw on the side panel (Pic-15.1) and assemble to the right side panel (Pic-15.2)



**Picture-15.1**



**Picture-15.2**

**16.** Place the bottom door (Pic-16.1) and rotate the middle hinge by 180°. After that, Screw to the right side on the middle sheet. (Pic-16.2)



**Picture-16.1**



**Picture-16.2**

**17.** Place the top door to the middle hinge and then screw the top hinge to the top panel. (Pic-17)



**Picture-17**

**18.** Place the top hinge cover. (Pic-18)



**Picture-18**

## Thermostat setting

### Temperature Setting

The thermostat automatically regulates the temperature inside the cooler and freezer compartments. Refrigerator temperatures can be obtained by rotating the knob to higher numbers; 1 to 3, 1 to 5 or SF (Maximum numbers on the thermostat depends on your product.)

### Thermostat Knob;

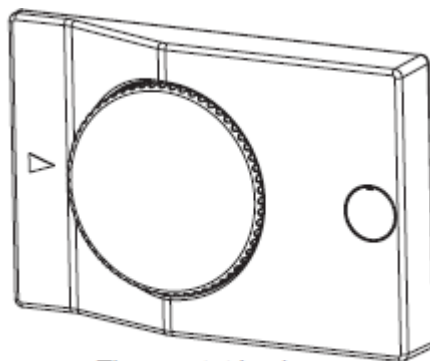
**1 – 2** : For short-term storage of food

**3 – 4** : For long-term storage of food

**5** : Maximum cooling position. The appliance will work longer. If required, change the temperature setting.

If device has SF position:

- Turn the knob to SF to freeze fresh food quickly. In this position, the freezer compartment will operate at lower temperatures. After your food freezes, turn the thermostat knob to its normal use position. If you do not change the SF position, your appliance work will automatically return to its last used thermostat position according to the time indicated in the note. Return the thermostat switch to the SF position and return it to normal use according to the time indicated in the note. If the thermostat switch is in the SF position when your appliance is first started, your appliance work will automatically return to the operation in the thermostat-3 position according to the time indicated in the note.



Thermostat knob

### Probable Faults

<b>Unsufficient cooling</b>	Is the appliance too close to wall or heat sources (stove, central heating, oven, cooker etc.)?	It should be placed min 50cm distance from heat sources and min 5 cm from electrical ovens.
	Is the ambient temperature high?	Raise the thermostat value.
	Check whether putting the hot foods in the refrigerator?	Put the foods after get cold.
	Is there any gas leakage in refrigerant system?	Check all welding points in the system.
<b>The foods in the cooler compartment are freezing.</b>	Were the foods placed close to cooling air outlet?	Please do not block air outlets
	Is the cooler thermostat value high ? Is there any hot foods close to the cooler sensor?	Decrease the cooler thermostat value and do not put hot things close to the sensor.
<b>Are there any sweating or icing?</b>	Were the liquid foods in the closed containers?	Put the liquid foods into the closed containers.
	Were the hot foods put into the refrigerator?	Put it into after getting cold.
	Was the refrigerator door opened?	Do not leave the refrigerator door open and do not often open or close.
<b>Abnormal Noise</b>	Is the appliance on the flat surface?	The floor should be straight and balance the refrigerator with the help of the adjustable feet.
	Is the compressor feet loose	Fix it.
	Is the condenser or fan stationary normal?	Fix it.
	Do the capillary tube or all other tubes touch any where?	Fix it.

## Removing The Cooler Fan

1. Remove the fan motor cover. (Pic-1)
2. Unscrew the two screws and remove the fan motor body. (Pic-2)
3. Take out the sockets and replace the fan motor (Pic-3)



**Picture-1**



**Picture-2**



**Picture-3**

## Removing/Assembling The Door Switch

1. Stick a tape to protect the body plastic. Flex it with the help of a tool like a slotted screwdriver. (Pic-1)



Picture-1

2. Also flex the top-side of the switch and then displace by pulling. (Pic-2)



Picture-2

3. Put the switch connector cable in the housing. First place the top-side of the switch and then push the bottom side.(Pic-3.1/Pic-3.2)



Picture-3.1

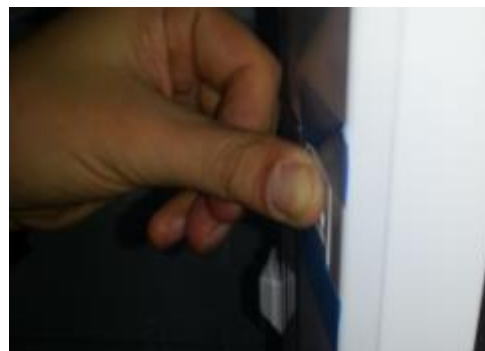


Picture-3.2

4. After the switch is placed, complete the assembly by pushing. (Pic-4)



Picture-4.1



Picture-4.2



**The bottom-top details of the switch are different from each other to avoid assembling wrong!**