

1. Freezer temperature set button
2. Super freeze symbol (Super freeze LED)
3. Alarm symbol (Alarm LED)
4. Freezer adjusted temperature indicator

Lighting (If available)

When the product is plugged in for the first time, the interior lights may turn on 1 minute late due to opening tests.

Alarm light

In case of a problem within the freezer, the alarm led will release red light.

Freezer Temperature Set Button

This button allows setting temperature of the freezer. In order to set values for freezer partition, press this button. Use this button also to activate super freeze mode.

Super Freezer Mode

When Would It Be Used?

- To freeze huge quantities of food.
- To freeze fast food.
- To freeze food quickly.
- To store seasonal food for a long time.

How To Use?

- Press temperature set button until super freezing light comes on.
- Super freezing led will light during this mode.
- Maximum amount of fresh food (in kilograms) to be frozen within 24 hours is shown on the appliance label.
- For optimal appliance performance in maximum freezer capacity, set the appliance to active super freeze mode 24 hours before you put the fresh food into the freezer.

During This Mode:

If you press temperature set button, the mode will be cancelled and the setting will be restored from -16.

Super freeze mode will automatically cancel after 54 hours, depending on the environmental temperature or when the freezer sensor reaches a sufficiently low temperature.



491E PUSH BUTTON DISPLAY



Display and Control Panel

Stand-By Mode :

How To Activate ?

Set “-16” set value and push set button until all leds are blink three times.

How It Works?

In stand-by mode; all components will be disabled. If user push set button while in stand-by mode, all leds will blink three times to show stand-by mode is active.

How To Deactivate ?

Push and hold set button until display returns to normal working. After the mode is deactivated, the “Alarm LED” may light on the display because the product may be hot. The “Alarm LED” will turn off when the product reaches normal temperature.

Demo mode :

This mode will be use for only sales points by salesman to show functions & modes to customer without operating components as a compressor, fan, motor..Etc

Entering Demo mode:

- Firstly the power is on , with in 1 minute set the temperature to “SUPER” and user will push “SET” button for 10 seconds , Then appliance will go on “demo function” and Super LED symbol will blink during the mode.
- All functions can be adjusted to show how they are adjusted to the customer.

Canceling Demo mode:

- For cancelling; Same operation will be used. If user will push SET button for 10 seconds, demo function will be cancelled.
- When appliance is Demo mode; if plug is removed or there is an electricy breakdown; demo mode will continue with current settings after user plug into or electricity breakdown finish.



491E PUSH BUTTON DISPLAY



Display and Control Panel

Freezer Temperature Settings

- The initial temperature of the setting display is -18 °C.
- Press freezer setting button once. • Every time you press the button, the setting temperature will decrease. (-16 °C, -18 °C, -20 °C,.. super freezing)
- If you press freezer setting button until super freezer symbol is displayed on freezer.
- Settings display and you do not press any button within the following 3 seconds, super freezing will blink.
- If you keep on pressing, it will restart from last value..

Recommended Temperature Values for Fridge

When would it be adjusted?	Inner Temperature
For Minimum Freezing Capacity	-16°C
In Normal Usage	-18°C, -20°C,-22°C
For Maximum Freezing Capacity	-24°C



491E PUSH BUTTON DISPLAY



Fault Codes

Sensor short open circuit defect on display

SENSOR	TEMPERATURE	USER MODE REACTION	SERVICE MODE REACTION
(1) Freezer	>+50° C or <-50° C (sensor is short or open)	Display ALARM Symbol blinks	-16 Set Symbol blinks
(2) Refrigerator	NA		NA
(3) Defrost	Short (< 100Ω) or <-50° C		-18 Set Symbol blinks
(4) AT sensor	NA		NA
Breakdown of (1) and (2)			NA
Breakdown of (1) and (3)			-16,-18 Set Symbol blinks
Breakdown of (1) and (4)			NA
Breakdown of (2) and (3)			NA
Breakdown of (2) and (4)			NA
Breakdown of (3) and (4)			NA
Breakdown of (2) and (3) and (4)			NA
Breakdown of (1) and (3) and (4)			NA
Breakdown of (1) and (2) and (4)			NA
Breakdown of (1) and (2) and (3)			NA
Breakdown of all sensors			NA

Component defect on display

DEFECT TYPE	DETAILS	USER MODE REACTION	SERVICE MODE REACTION
Compressor Defect	D sensor temp >-10° C (D sensor temp. unchanges for 10 min. continuous compressor run)	Display ALARM Symbol blinks	-20 Set Symbol blinks

Compressor Defect Error on display

***NOTE: To prevent the wrong alarms, this alarm status is disabled on following conditions:

- During the first 6 hours after the product was firstly connected.
- During the defrost period
- During the 30 minutes after a defrost
- During the first 2 hours that if door was open.

	491E PUSH BUTTON DISPLAY	
Service Mode		

Entering service mode:

Open the door and push SET button continuously for 10 seconds when -24 set symbol active. Appliance will enter service mode 10 sec. later.

Canceling service mode:

Push SET button continuously for 10 seconds. Appliance will cancel service mode 10 sec. later. If service man do not push any buttons for 30 minutes when appliance is in service mode. Service mode will be canceled automatically. Service mode will be used only by professionals.

Leds on display shows error codes. (check the safety functions)

If there is no error, there wont be any sign on the leds on display

Error led lights up continuously.

Manual defrost

In service mode main menu, if pressed 2 times to set button, -18 led starts blinking. 3 seconds after the mode entry, the led lights up continuously and defrost starts

When the defrost sensor reaches the +8 degrees, defrost ends and -18 led fades. At the end of the defrost, it automatically returns to the service mode main menu.

If set button is pressed during manuel defrost, the defrost ends and -18 led fades. Returns to the service mode main menü

Starting mode

Starting mode is done by the order that is given in safety functions

When the starting mode starts, all leds on the display starts to blink at the same time.

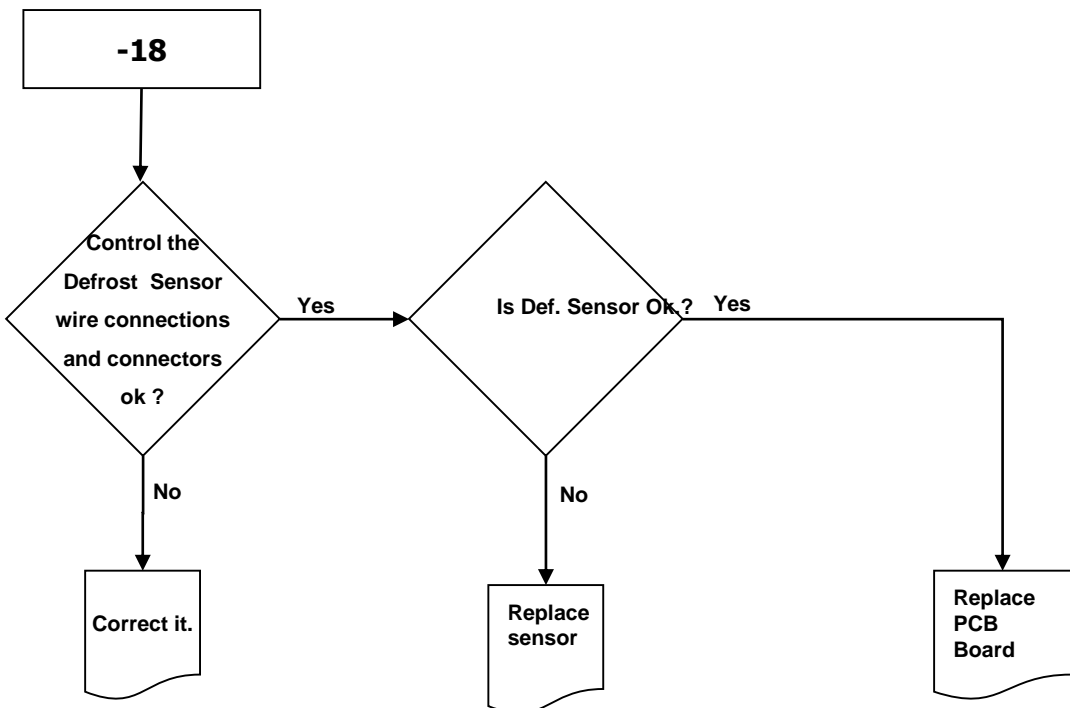
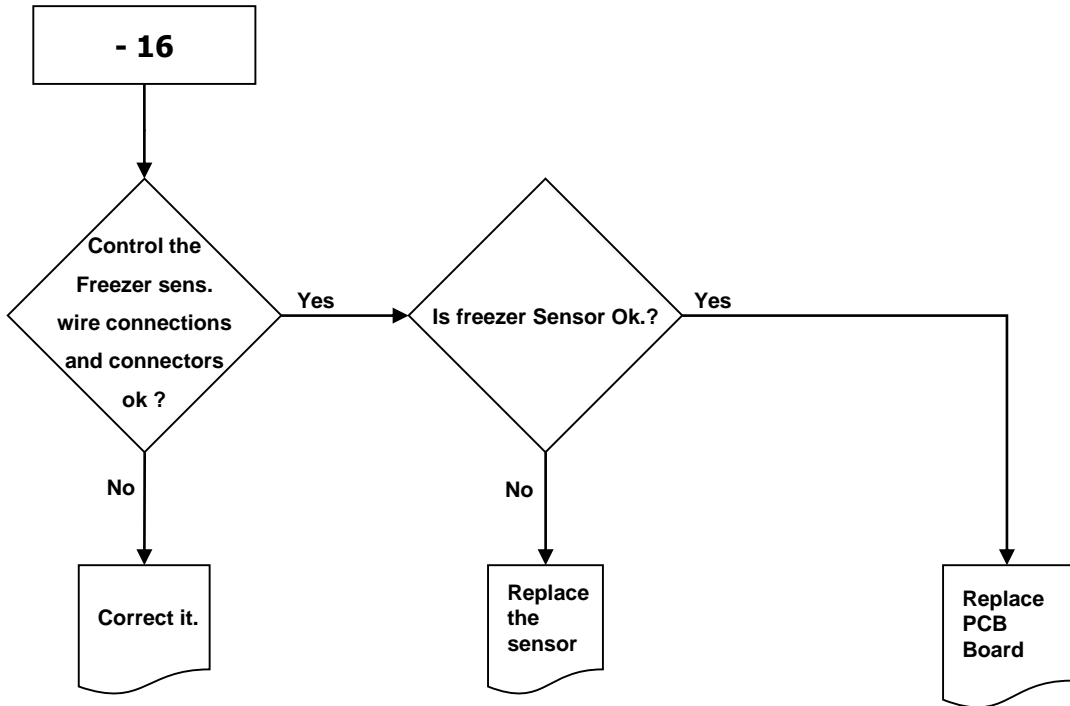
When the starting mode starts, the leds defined below lights up as their components are active

Compressor -16 led

Defrost resistance -18 led

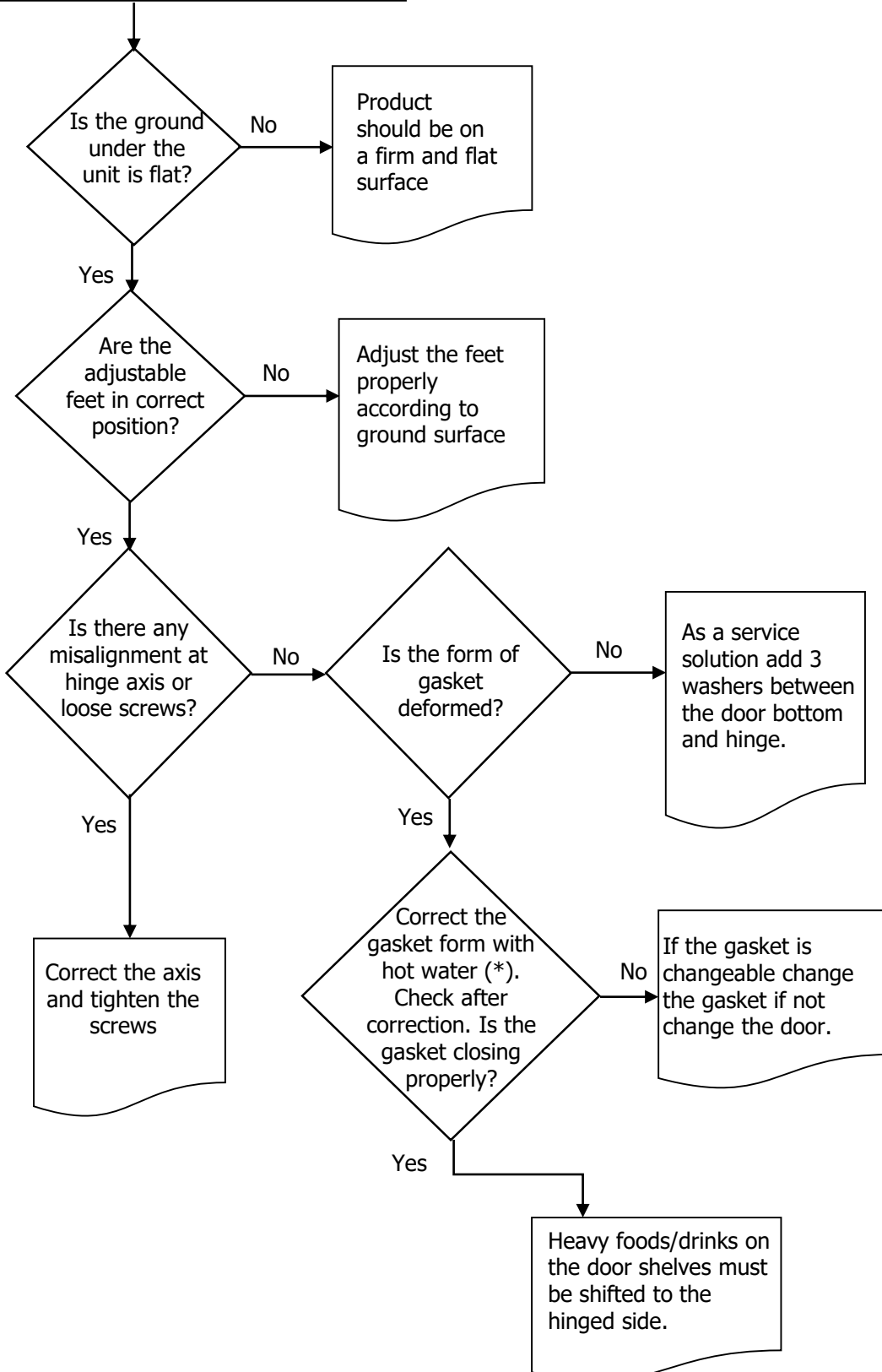
Fan -20 led

Trouble – Shooting Chart



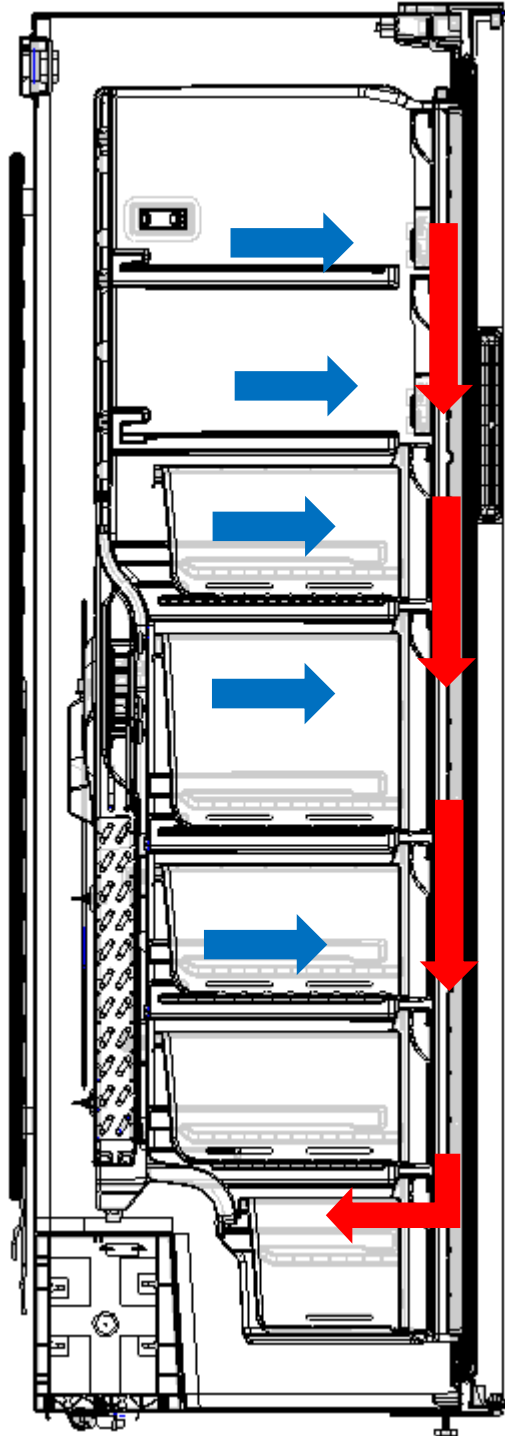
Trouble – Shooting Chart

Door/Gasket Adjustment



(*) Correct the gasket form by the help of hot water and hair dryer

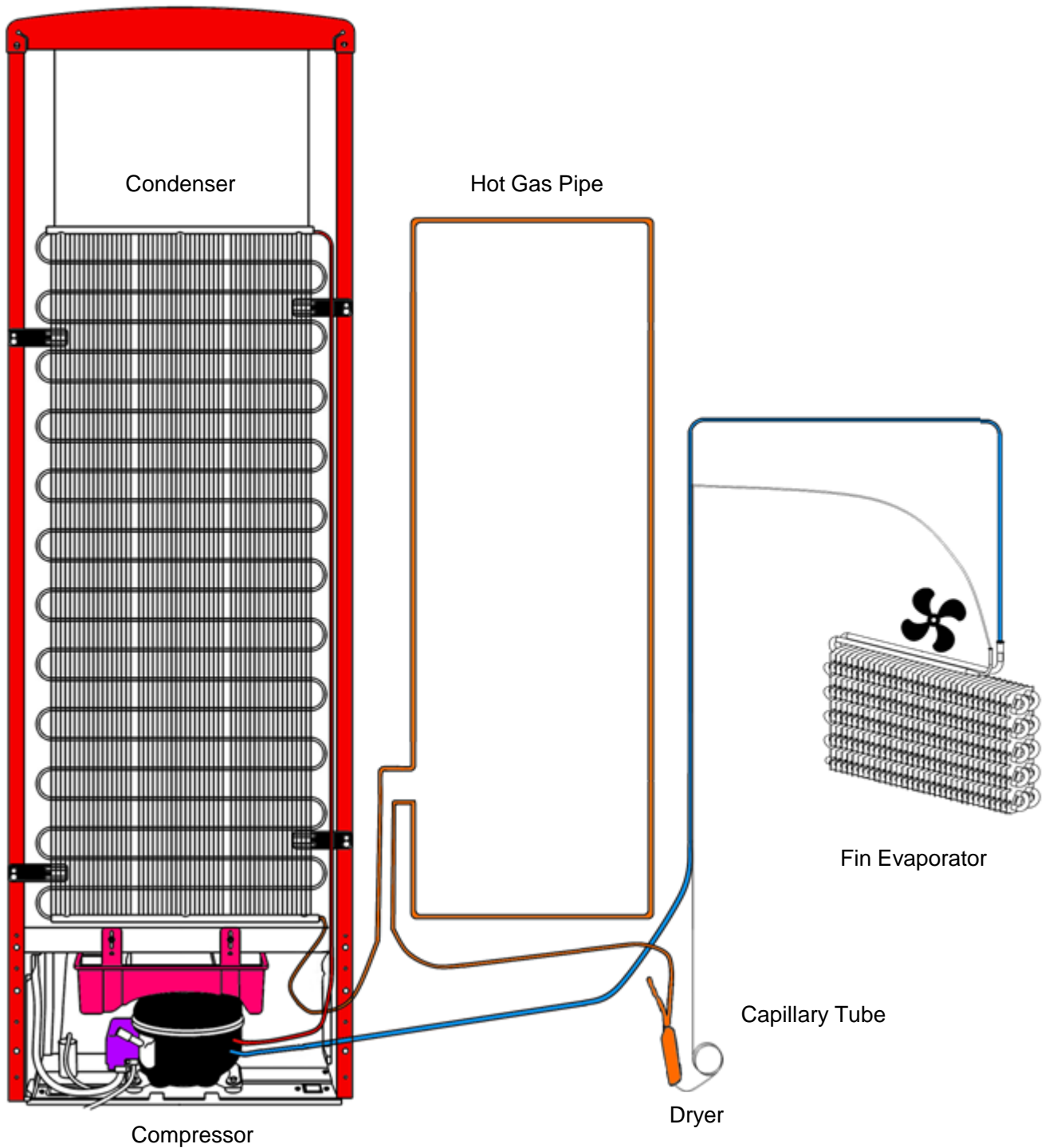
Air Flow Diagram



Cutaway view: Air Flow Direction

 **Blown : Cold Air**
 **Returned: Hot Air**

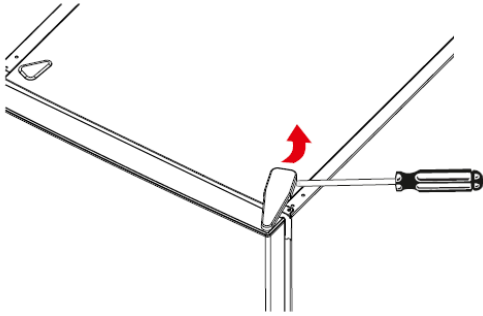
Refrigerant Cycle



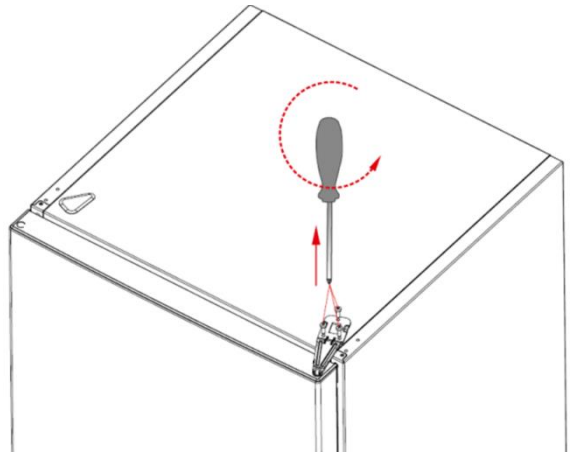
This model is double controlled product without any valves. When both cooler & freezer sections are set by end user, mainboard controls both the cooler sensor & freezer sensor. When cooler part reach requested value, if the freezer section haven't reach the requested level; compressor continues to run. While freezer continue to cool down, by the help of the RDH (Ref. Defrost Heater), cooler section would stay at constant value. When the freezer reach the requested value both compressor & RDH would be stopped.

Reversing the door

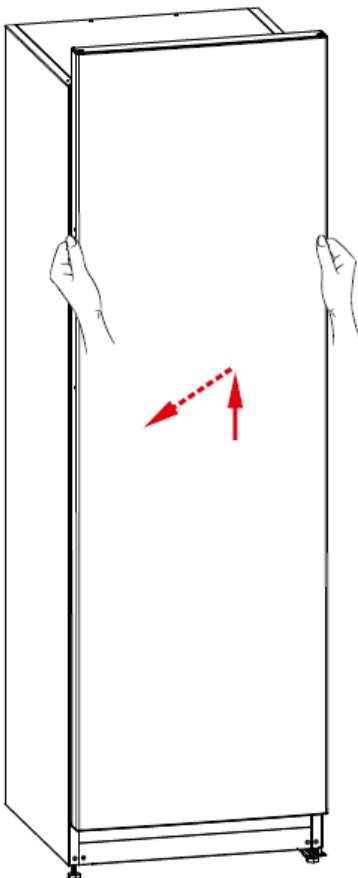
Hold the top hinge cover and remove it toward that direction



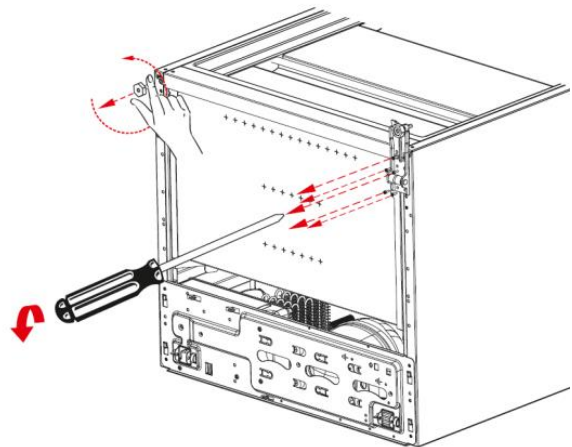
Unscrew the screws fixing the top hinge and remove it.



Displace the door

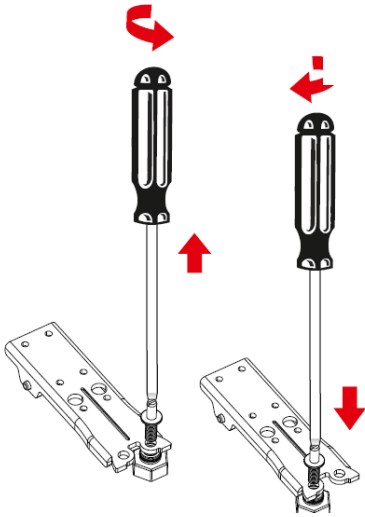


Unscrew the bottom hinge pin and screw it to other hole.

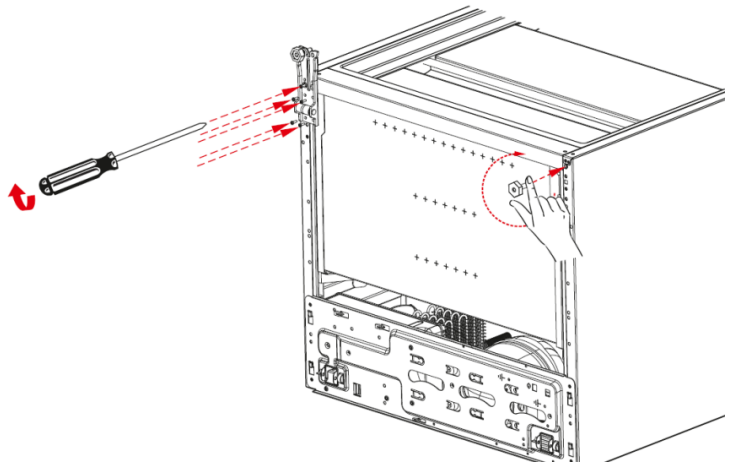


Reversing the door

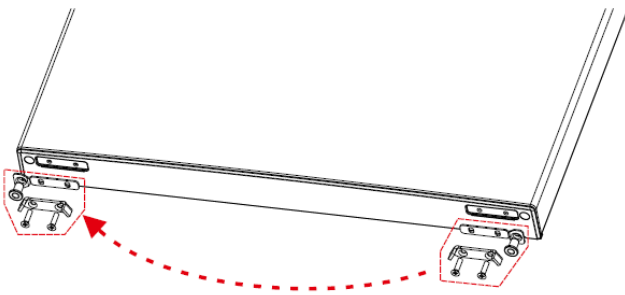
Unscrew the adjustable foot and unscrew the bottom hinge screws



Screw the bottom hinge to the left bottom side of refrigerator.
Screw the adjustable foot there.

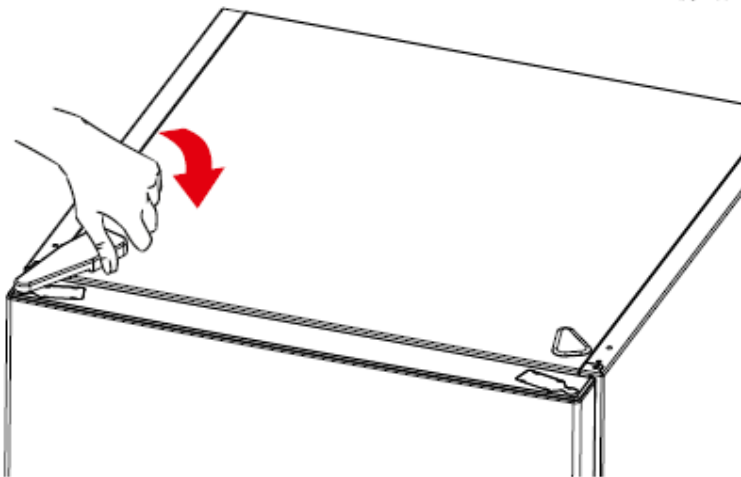
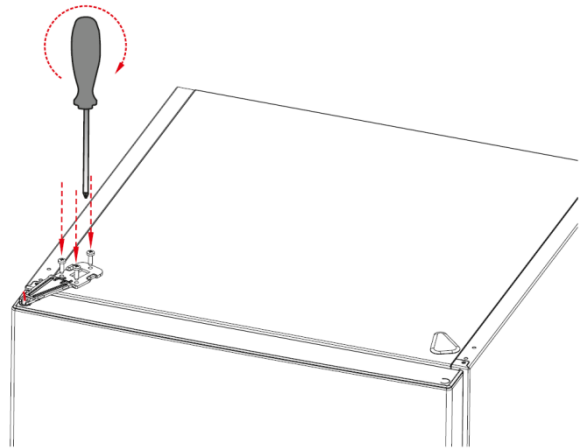
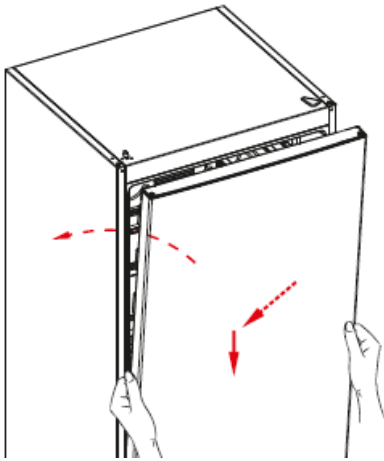


Unscrew the two screws fixing stopper and stopper support plate under the bottom door. After that screw the other side.



Reversing the door

Place the door to the bottom hinge and then connect the display connector and screw the top hinge to the top panel. Place the top hinge cover.





Warning: Make sure the unit is unplugged.

1. Remove the refrigerator glass shelves and the Baskets.



2. Remove the plugs by pulling them under the base with a pointed device to remove the screw plugs and remove the screws.



3. Keep the air duct by the left side or right side and stretch it. Get rid of the nails.

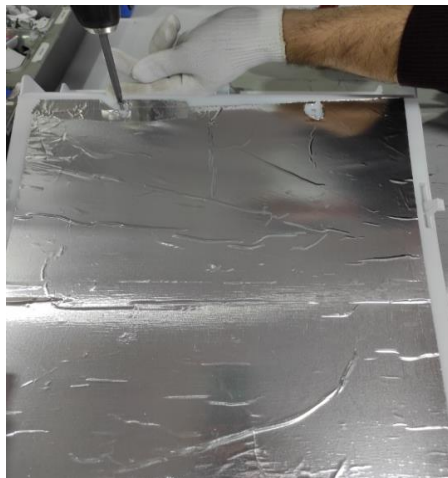
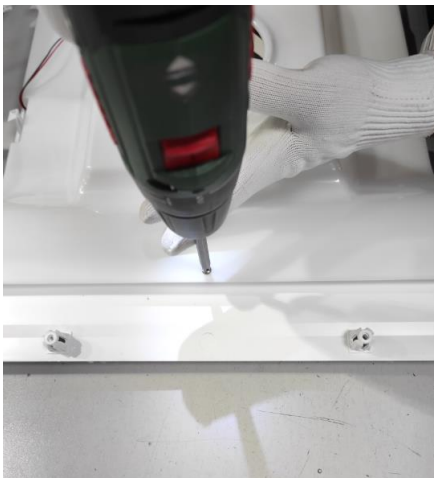


Removing- Assembling The Freezer Fan (Radial)

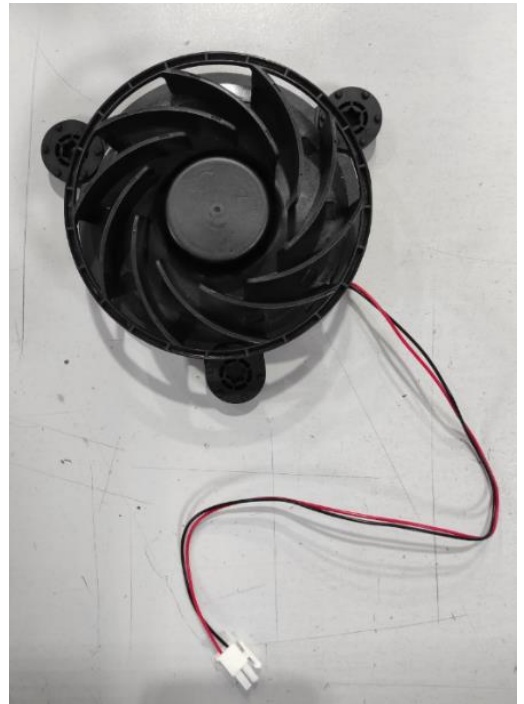
1. After remove the fan motor connector, airduct can be displaced



2. Unscrew the airduct fixing screws and Get rid of the nails carefully.



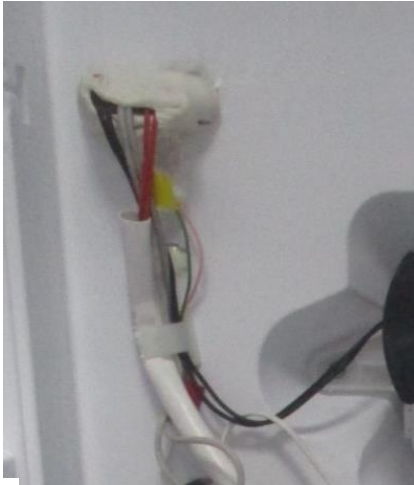
3. After remove the airduct cover, to displace the fan motor get rid of the the nail by using needlenose pliers.





Warning: This process needs gas deflation, gas re-charging and welding processes so its need to be done by trained professionals.

1. Take out the fin evap heater (blue) connector and remove the bitumen covering the tubes



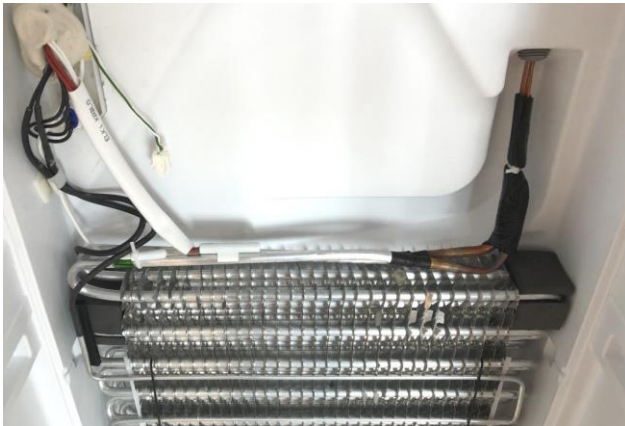
Warning: Before cutting the tube follow make sure the gas is evacuated.

2. To take out the evaporator, tubes need to be cut with oxygen welding. Remove the evaporator by pulling forward in a horizontal direction. Do not push it up or down. You may broke the fixing plastics.



Remove the thermal fuse connector. (black-white connector)

Thermal fuse has two details. These details hold on to the pipe.
It could be removed easily.





CAUTION: The plug must be pulled out before the display is removed.

By aid of a flat screwdriver or similar tools remove taps and then unscrew



Unhook snapfits on the head panel by reaching from related cavities and pull head panel backward. To disconnect head panel unplug socket from the display card



Unscrew screws on the card and unhook snapfits and then replace card with new one. After disassembly head panel , mainboard in the housing can be reached. Lift up mainboard and pull outward from housing then disconnect sockets on the board, For reassembly , follow steps vice versa.



Take the reed switch out of its place with a screwdriver. Then Disconnect the connectors of the Switch and remove it.

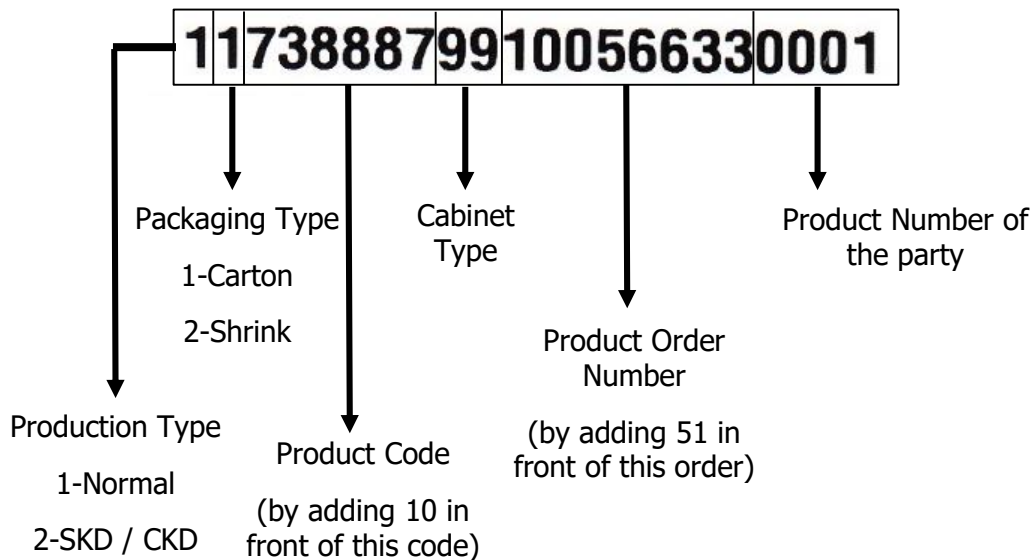
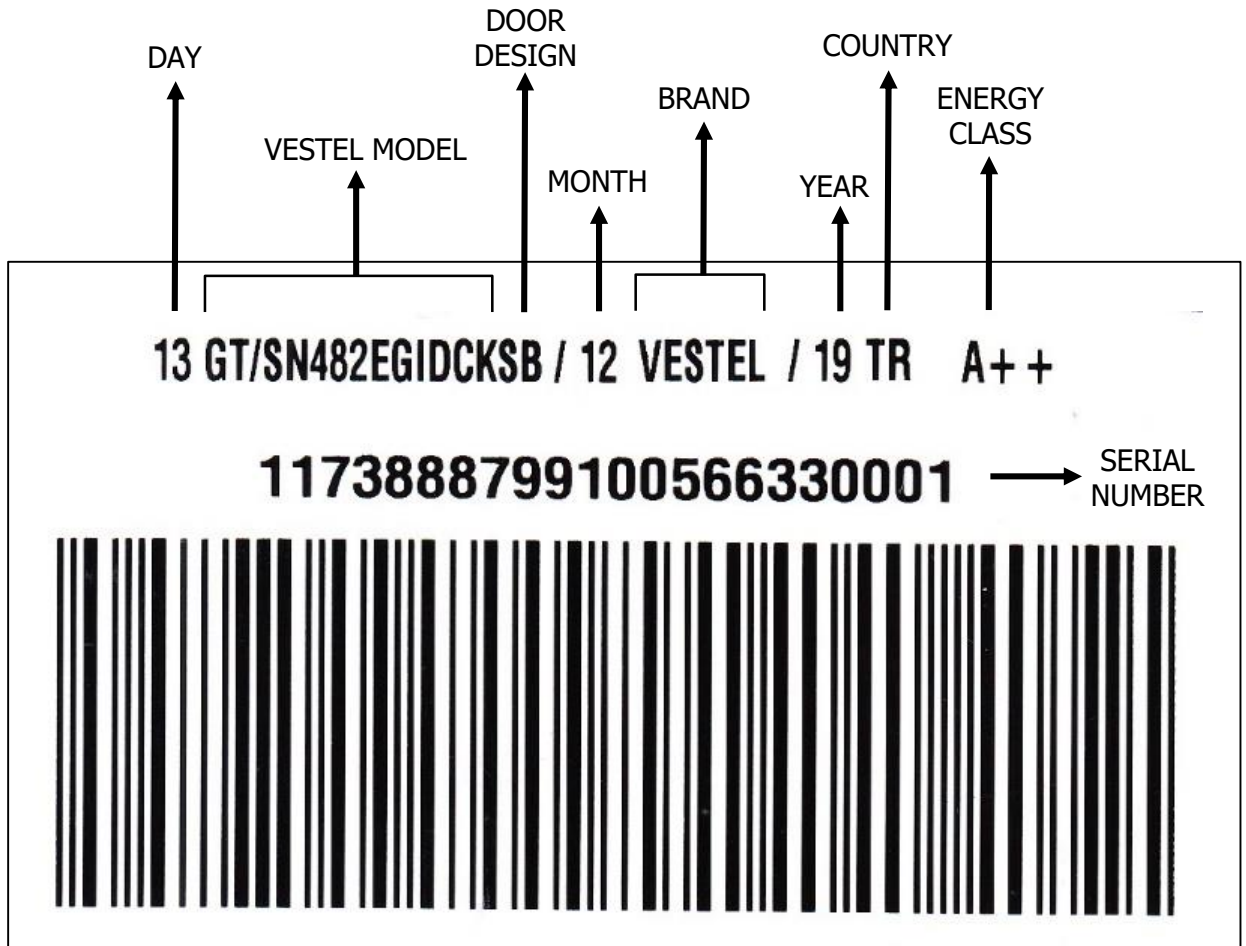
NOTE: Reed Switch is a very sensitive miniature electronic card. So during the assembly and disassembly be carefull not to damage it.



Magnet

Barcode and Serial Number Explanation:

Vestel refrigerator serial numbers are consist of 22 digits.



Exp:10738887