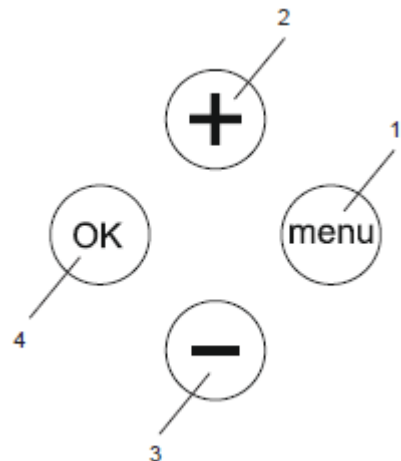
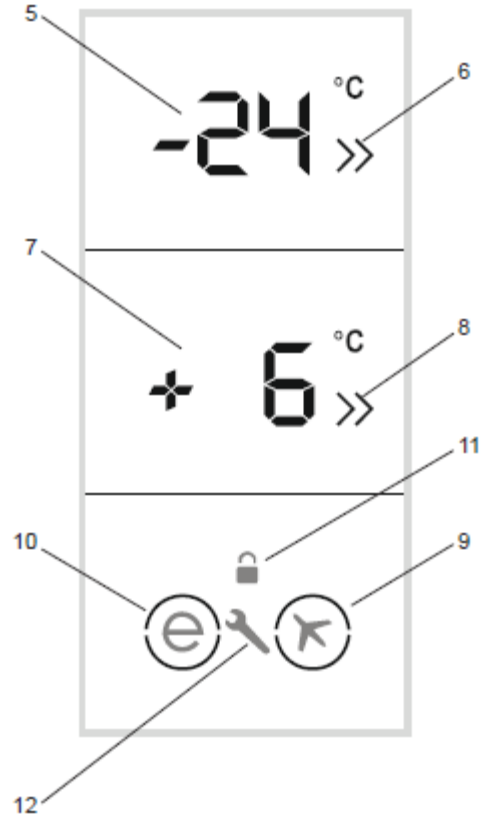



Control Panel

1. Menu button to activate economy mode
2. Enables the temperature value to be changed in the freezer compartment and allows the super freezing mode to be activated. The temperature value for the freezer compartment can be adjusted to -16, -18, -20, -22, -24 oC, or SF.
3. Enables the temperature value to be changed in the fridge compartment and allows the super cooling mode to be activated. The temperature value for the cooling compartment can be adjusted to 8, 6, 5, 4, 2 oC, or SC.
4. Mode selection / Confirmation button
5. Temperature adjustment indicator for the freezer compartment
6. Super freezing indicator
7. Temperature adjustment indicator for the fridge compartment
8. Super cooling indicator
9. Holiday mode symbol
10. Economi mode symbol
11. Child Lock symbol
12. Alarm / Service call symbol



	NO-FROST 543 ELEC. (GLASS DOOR)	CUSTOMER SUPPORT
	Control Panel	

Super Freeze Mode

How to Use?

- Press the freezer temperature setting button, then the “OK” button until the letters SF are displayed on the freezer compartment display. You will hear a beeping sound and the mode will be active. If the "OK" button is not pressed within 9 seconds after the SF letters are displayed, the previously selected freezer temperature will be activated.
- When this mode is selected, the letters SF will be displayed on the freezer temperature display.

During This Mode:

- The cooler temperature values can be changed and super cooling mode can be selected.
- Economy and holiday modes cannot be selected.
- Super freezing mode can be deactivated by pressing the freezer temperature setting button. After pressing this button, the SF icon will start blinking. While the SF icon is blinking, press the “-” button and select the required value for the freezer. After selecting the value for the freezer, press the “OK” button again to deactivate SF mode.

The maximum amount of fresh food (in kilograms) that can be frozen within 24 hours is shown on the appliance label.

For optimal appliance performance at maximum freezer capacity, set the appliance to SF mode 3 hours before you put fresh food into the freezer.

Super freeze mode will automatically cancel after 24 hours, depending on the environmental temperature or when the freezer sensor reaches a sufficiently low temperature

Super Cool Mode

How to Use?

- Press the fridge temperature setting button, then the “OK” button until the letters SC are displayed on the cooling compartment display. You will hear a beeping sound and the mode will activate. If the "OK" button is not pressed within 9 seconds after the letters SC are displayed, the previously selected cooling temperature will activate.
- When this mode is selected, 'SC' will be displayed on the cooling temperature display.

During This Mode:

- Freezer temperature values can be changed and super freeze mode can be selected.
- Economy and holiday modes cannot be selected.
- Super cooling mode can be deactivated by pressing the cooler temperature setting button. After pressing this button, the SC icon will start to blink. While the SC icon is blinking, press the “+” button and select the desired value for the cooler. After selecting the value, press the “OK” button again to deactivate SC mode.

Super freeze mode will automatically cancel after 4 or 6 hours depending on the environmental temperature or when the freezer reaches a sufficiently low temperature.

VESTEL WHITE GOODS	NO-FROST 543 ELEC. (GLASS DOOR)	CUSTOMER SUPPORT
	Control Panel	

Economy Mode

How to Use?

- Press the Menu button until a circle appears around the economy symbol, then press the OK button within 9 seconds. The buzzer will sound twice to confirm the mode is active.
- Cancel the economy mode before selecting holiday mode. Then, use the Menu button to select holiday mode.
- If you do not press any button within 1 second after pressing the Menu button, the mode will be cancelled.

During This Mode:

- The freezer partition temperature can be changed. After cancelling economy mode, the selected freezer temperature will be active.
- The cooler partition temperature can be changed. After cancelling economy mode, the selected cooler temperature will be active.
- The super cool and super freeze modes can be selected. In this case, economy mode will automatically cancel and the selected mode will be activated.
- Use the Menu button to select holiday mode after cancelling economy mode.
- Press the Menu button until both circles disappear to cancel the mode, then press the OK button.

Holiday Mode

How to Use?

- Press the Menu button until a circle appears around the holiday mode symbol, then press the OK button within 9 seconds. The buzzer will sound twice to confirm the mode is active.
- Cancel holiday mode before selecting economy mode. Then, use the Menu button to select economy mode.
- If you do not press any button within 1 second after pressing the Menu button, holiday mode will be cancelled.

During This Mode:

- The freezer partition temperature can be changed. After cancelling holiday mode, the selected freezer temperature will be active.
- The cooler partition temperature can be changed. After cancelling holiday mode, the selected cooler temperature will be active.
- The super cool and super freeze modes can be selected. In this case, holiday mode will automatically cancel and the selected mode will activate.
- Cancel holiday mode before selecting economy mode. Then, use the Menu button to select economy mode.
- Press the Mode button until both circles disappear, then press 'OK' to cancel the mode.

VESTEL WHITE GOODS	NO-FROST 543 ELEC. (GLASS DOOR)	CUSTOMER SUPPORT
	Control Panel	

Drink Cool Mode

- Press the freezer temperature adjustment button for 3 seconds.
- The temperature indicator for the freezer compartment will display “dc” and the temperature indicator for the fridge indicator will blink “05”.
- Press the cooler temperature setting button to adjust the time.
- The selectable times are 05, 10, 15, 20, 25, and 30 minutes.
- Once the desired time is selected, the time will blink on the display 3 times and a beep will sound.
- If no other button is pressed within 2 seconds, the mode will be selected.
- The selected time will decrease minute by minute, and the time remaining will flash on the display.
- In order to cancel the drink cooling mode, press the temperature adjustment button again for 3 seconds.

You must adjust the time according to the temperature of the bottles before placing the bottles in the appliance.

- For example, you can set the time as “5 minutes” in the beginning. After this time, if the cooling is insufficient, you might set it for another 5 or 10 minutes.
- When using this mode, you must check the temperature of the bottles regularly. When the bottles have cooled sufficiently, you must remove them from the appliance.
- If bottles are left in the appliance for too long with quick drink mode selected, the bottles will explode.

Screen Saver Mode

Purpose

This mode saves energy by switching off all control panel lighting when the panel is left inactive.

How to Use?

- Screen saver mode will be activated automatically after 30 seconds.
- If you press any key while the lighting of the control panel is off, the current machine settings will reappear on the display to let you make any change you wish.
- If you do not cancel the screen saving mode or press any key for 30 seconds, control panel will remain off.

To deactivate the screen saving mode,

- To cancel the screen saving mode, first of all, you need to press any key to activate the keys and then press and hold the "menu" button for 3 seconds.
- To reactivate screen saving mode, press and hold the "menu" button for 3 seconds.

Door Open Alarm Function

If cooler door is opened more than 2 minutes, appliance sounds ‘beep beep’.

VESTEL WHITE GOODS	NO-FROST 543 ELEC. (GLASS DOOR)	CUSTOMER SUPPORT
	Control Panel	

Temperature Settings

Freezer Temperature Settings

- Each time you press the freezer compartment adjustment button, a lower temperature will be set (-16 °C, -18 °C, -20 °C, -22 °C, -24 °C, or SF). If you continue to press the button, the values will restart from -16 °C.
- To set the adjusted temperature, press the “OK” button within 9 seconds after the desired temperature value is reached
- When you press the freezer compartment adjustment button until the super freezing symbol is displayed, and the “OK” button within 9 seconds, 'SF' (Super Freezing) on the display will flash.

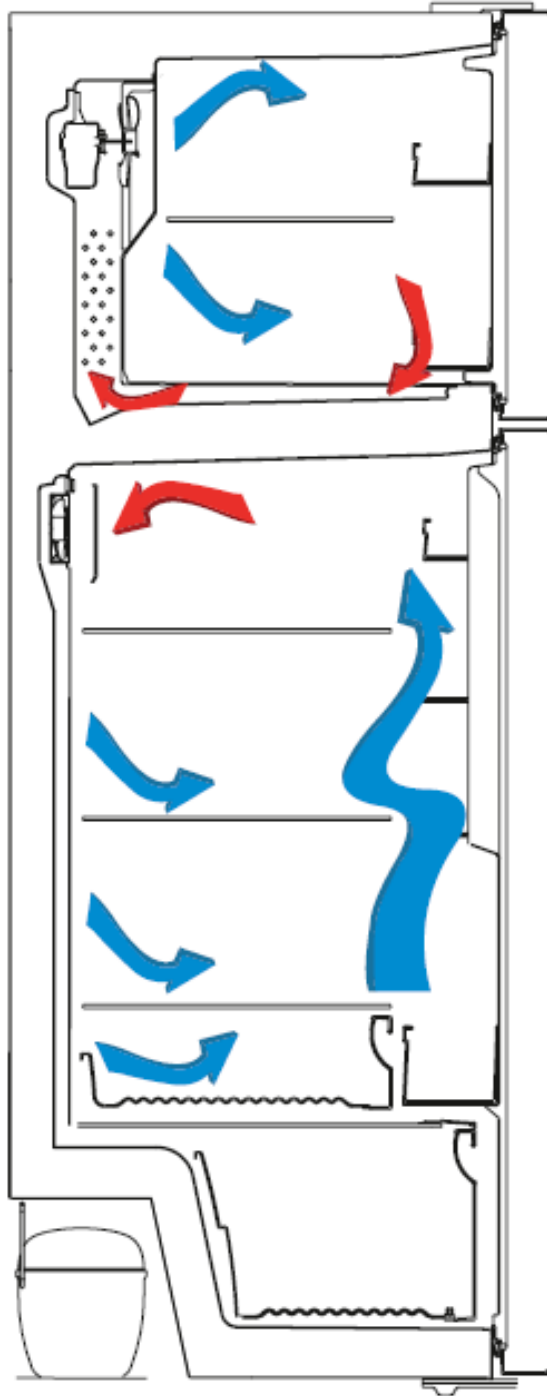
Cooler Temperature Settings

- Each time the cooling compartment adjustment button is pressed, a lower temperature will be set (+8 °C, +6 °C, +5 °C, +4 °C, +2 °C, or SC). If you continue to press the button, the values will restart from +8 °C.
- To set the adjusted temperature, press the “OK” button within 9 seconds after the desired temperature value is reached.
- When you press the cooling compartment adjustment button until the super cooling symbol is displayed, press the “OK” button within 9 seconds, 'SC' (Super Cooling) on the display will flash.

Temperature Adjustment Warnings

- It is not recommended that you operate your fridge in environments colder than 10°C in terms of its efficiency.
- Do not start another adjustment while you are already making an adjustment.
- Temperature adjustments should be made according to the frequency of door openings, the quantity of food kept inside the fridge and the ambient temperature in the location of your fridge.
- In order to allow your fridge to reach the operating temperature after being connected to mains, do not open the doors frequently or place large quantities of food in the fridge. Please note that, depending on the ambient temperature, it may take 24 hours for your fridge to reach the operating temperature.
- A 5 minute delay function is applied to prevent damage to the compressor of your fridge when connecting or disconnecting to mains, or when an energy breakdown occurs. Your fridge will begin to operate normally after 5 minutes.
- Your appliance is designed to operate in the ambient temperature (T/SN = 10°C - 43°C) intervals stated in the standards, according to the climate class displayed on the information label. We do not recommend operating your appliance out of the stated temperature limits in terms of cooling effectiveness.

Air Flow Diagram



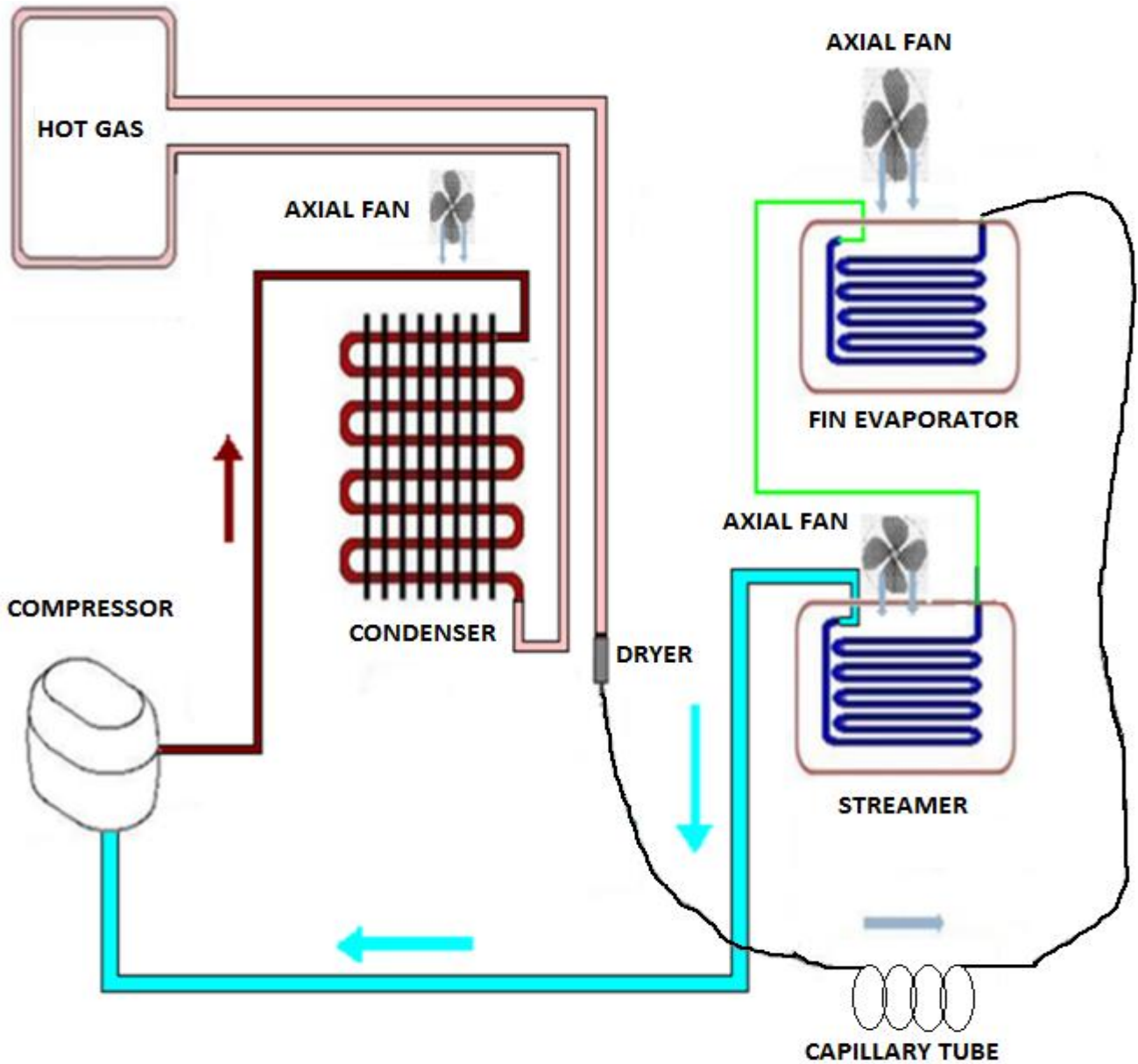
Cutaway view: Air Flow Direction



Blown : Cold Air



Returned: Hot Air



The freezer fan motor and the condenser fan motor work parallel time with the compressor. The freezer fan motor works when the freezer compartment door is opened. It is normal.

The cooler fan motor works parallel time with the compressor. However it could work while the compressor is stopped or the cooler is defrosting.

VESTEL WHITE GOODS	NO-FROST 543 ELEC. (GLASS DOOR)	CUSTOMER SUPPORT
	Special Programs	

Freezer Defrosting Time

The Defrost is disabled when the defrost sensor temperature feels 8°C. If defrost time passes 37 minutes, defrost completing temperature will be rise to 15°C.

Cooler Defrosting Time

The cooler defrost and the freezer defrost are operated parallel except those below. The cooler defrost will not work if the freezer defrost stops.

The defrost process stops when the defrost sensor temperature feels 7°C. At the low ambient temperature or when the compressor stops; to balance, defrost stops when the defrost sensor temperature feels 15°C. But if the defrost time or the compressor stopping time goes over 6 hours, the resistance will be stopped.

Compressor delay: First, the defrost process ends, the system waits 5 minutes, just after that the compressor is active.

In Case of Power Cut

- All regulated parameters and functions are kept in memory when the power cut.

Other Features

Warnings : The door open warning is active 2 minutes later and it alarms.

Door Direction : It is possible to reverse the door.

Gasket : It is possible to change the gasket.

VESTEL WHITE GOODS	NO-FROST 543 ELEC. (GLASS DOOR)	CUSTOMER SUPPORT
	Service Mode	

Entering service mode :

Push screen selector button continuously. During this time, open and close the cooler door for least 3 times. The appliance will enter service mode 3 sec. late.

- If there is a faulty situation, error code will be observed on screen. Otherwise nothing will be on the screen.
- Buzzer will sound beep for 0.1 sec. each 5 sec. during service mode.
- Service function could be activated by pushing «Mode» button

SERVICE FUNCTIONO	
	While display is on service mode, it could be changed among service functions by touching mode icon
TOUCHING M (MODE) BUTTON ONE TIME.	STARTING MODE
	Eco icon blinks
	The number of components which is controlled is shown at freezer segments of display Eco icon goes off when the starting test finishes and then display returns to initial service mode.
TOUCHING M (MODE) BUTTON TWO TIMES.	MANUAL DEFROST
	Holiday icon blinks
	Defrost might be finished manually or automatically.
	Defrost might be finished manually by using the screen select button. Holiday icon goes off and display returns to initial service mode.
	Automatic defrost operates according to the standard defrost time. Holiday icon goes off when he when the manual defrost ends and display returns to initial service mode.
TOUCHING M (MODE) BUTTON THREE TIMES.	DAMPER MOTOR CONTROL MODE (this is a general function for other models which have damper)
	SC icons blink.
	There is no function due to not having damper component in the product Unless touch anything on the screen for 5 minutes, this function will be finished.
	SC icons goes off and display returns to initial service mode.
TOUCHING M (MODE) BUTTON FOUR TIMES.	CURRENT TEMPERATURE VALUES INDICATOR
	SF icons blink.
	Current temp. Value of freezer set sensor is shown on cooler set segment. Freezer set segment shows "1"
	After touching child lock button one time, current temp. Value of cooler sensor is shown on cooler set segment. Freezer set segment shows «2"
	After touching freezer set icon one more time, current temp. Value of defrost sensor is shown on cooler set segment. Freezer set segment shows «3"
	After touching child lock button one more time, Constant value is shown on cooler set segment due to not being an ambient sensor in the appliance. Freezer set segment shows «4" (this is a general function for other models which have ambient sensor)
	After touching child lock button one more time, current temp. Value of cooler serpentine sensor is shown on cooler set segment. Freezer set segment shows «5"
	Unless touch child lock button for 5 minutes, function will be finished automatically.
	Touching screen select button, function will be finished manually.
	Sf icon goes off and display returns to initial service mode.
TOUCHING M (MODE) BUTTON FIVE TIMES.	DOOR SWITCH CONTROL
	No icons at display
	Cooler set segment gives information about cooler door Mode just could be deactivated by cooler set button.

VESTEL WHITE GOODS	NO-FROST 543 ELEC. (GLASS DOOR)	CUSTOMER SUPPORT
	Service Mode	

Entering service mode :

Push freezer temperature button continuously. During this time, open and close the cooler door for least 3 times. The appliance will enter service mode 3 sec. late.

- If there is a faulty situation, error code will be observed on screen. Otherwise nothing will be on the screen.
- Buzzer will sound beep for 0.1 sec. each 5 sec. during service mode.
- Service function could be activated by pushing «Mode» button

SERVICE FUNCTION	
	While display is on service mode, it could be changed among service functions by touching mode icon
TOUCHING M (MODE) BUTTON ONE TIME.	STARTING MODE
	Eco icon blinks
	The number of components which is controlled is shown as 5 segment on display. (Compressor – Defrost heater – Cooler fan – Evap fan – Condanser fan)
	Icon goes off when the starting test finishes and then display returns to service mode.
TOUCHING M (MODE) BUTTON TWO TIMES.	MANUAL DEFROST
	Holiday icon blinks
	Defrost mode is started after third step.
	Defrost might be finished manually or automatically.
	Defrost might be finished manually by using the cooling set button. Icon goes off and display returns to service mode.
TOUCHING M (MODE) BUTTON THREE TIMES.	CURRENT TEMPERATURE VALUES INDICATOR
	Sf icons blink.
	Freezer number segment will show F and refrigerator number segment will show F sensor actual temp.
	If service man pushes FRE button; Freezer number segment will show R and refrigerator number segment will show R sensor actual temp.
	If service man pushes FRE button again; Freezer number segment will show D and refrigerator number segment will show D sensor actual temp.
	If service man does not push FRE button in 5 min, mode will be canceled. Appliance will return to initial service mode reaction
	If service man pushes REF button again, function will be canceled. Appliance will return to initial service mode reaction.
TOUCHING M (MODE) BUTTON FOUR TIMES.	No function is set.

VESTEL WHITE GOODS	NO-FROST 543 ELEC. (GLASS DOOR)	CUSTOMER SUPPORT
	User and Service Mode Error Message	

SENSOR	TEMPERATURE	USER MODE REACTION	SERVICE MODE REACTION
(1) Freezer	$> +50\text{ }^{\circ}\text{C}$ or $< -50\text{ }^{\circ}\text{C}$ (sensor is short or open)	Display SR (blinks) in Freezer number segment & SR Symbol blinks & Buzzer 'beep'	Display FE 01
(2) Refrigerator			Display FE 02
(3) Defrost			Display FE 03
(5) Serpentine sensor			Display FE 04
Breakdown of (1) and (2)			Display FF 12
Breakdown of (1) and (3)			Display FF 13
Breakdown of (1) and (5)			Display FF 15
Breakdown of (2) and (3)			Display FF 23
Breakdown of (2) and (5)			Display FF 25
Breakdown of (3) and (5)			Display FF 35
Breakdown of (2) and (3) and (5)			Display FH 06
Breakdown of (1) and (3) and (5)			Display FH 02
Breakdown of (1) and (2) and (5)			Display FH 05
Breakdown of (1) and (2) and (3)			Display FH 04
Breakdown of all sensors			Display FU 00

Component defect on display

DEFECT TYPE	DETAILS	USER MODE REACTION	SERVICE MODE REACTION
Compressor Defect	Defrost sensor temp $> -10\text{ }^{\circ}\text{C}$ (D sensor temp.unchanges for 10 min.continuous compressor run)	Display SR (blinks) in Freezer number segment & SR Symbol blinks & Buzzer 'beep'	Display FO 05
Defrost Heater Defect	Defrost sensor $< 0\text{ }^{\circ}\text{C}$		Display FO 06

VESTEL WHITE GOODS	NO-FROST 543 ELEC. (GLASS DOOR)	CUSTOMER SUPPORT
	User and Service Mode Error Message	

Low voltage error on display

DEFECT TYPE	DETAILS	USER MODE REACTION	SERVICE MODE REACTION
Low voltage	Power supply < 170	Freezer number segment shows 'LO' and refrigerator number segment shows 'PO'	Display LO PO

Cooling error on display

Note: To prevent the wrong alarms, this alarm status is disabled on following conditions:

- During the first 6 hours after the product was firstly connected.
- During the defrost period
- During the first two hours after a defrost
- During the first 2 hours that one of the doors was open.

DEFECT TYPE	DETAILS	USER MODE REACTION	SERVICE MODE REACTION
Freezer sensor > -10°C	Freezer compartment is not cool enough	Freezer number segment and alarm icon blink	Display CO 01
Ref. sensor > +10°C and if Holiday mode is not active	Refrigerator compartment is warm	Refrigerator number segment and alarm icon blink	Display CO 02
Ref. sensor < -5°C	Refrigerator compartment is so cool	Refrigerator number segment and alarm icon blink	Display CO 03
F sensor > -10°C and R sensor >15°C and if Holiday mode is not active	Freezer and Refrigerator compartment both are not cool enough	Freezer and Refrigerator number segment and alarm icon blink	Display CO 04

VESTEL WHITE GOODS	NO-FROST 543 ELEC. (GLASS DOOR)	CUSTOMER SUPPORT
	User and Service Mode Error Message	

Sensor Faults;

SENSOR	FREEZER SET VALUE	COOLER SET VALUE
(1) Freezer (Short-Open)	E	01
(2) Refrigerator (Short-Open)	E	02
(3) Defrost (Short-Open)	E	03
(4) AT sensor	E	04
(5) RDH Sensor	E	05

Component defect on display

DEFECT TYPE	FREEZER SET VALUE	COOLER SET VALUE
Compressor Defect	E	06
Defrost Heater Defect	E	07

Low voltage error on display

DEFECT TYPE	FREEZER SET VALUE	COOLER SET VALUE
Low voltage	E	08

Cooling error on display

DEFECT TYPE	FREEZER SET VALUE	COOLER SET VALUE
LF (Low Fre.)	E	09
LC (Low Cool.)	E	10
HC (High Cool.)	E	11

VESTEL WHITE GOODS	NO-FROST 543 ELEC. (GLASS DOOR)	CUSTOMER SUPPORT
	Used Component	

• Fin Evaporator Resistance	230V/150W
• Evaporating Tray Resistance	230V/32W (Drain Heater)
• Thermal Fuse	72 °C
• Cooler Defrost Resistance	230V/10W
• Cooler Fan Motor	DC 12V
• Evaporator Fan Motor	AC 230 V 50 Hz
• Cabin Bottom Fan Motor	AC 220 - 240 V 50 Hz
• Mainboard (Power Card)	VESTEL ELECTRONIC
• Thermostat Card	VESTEL ELECTRONIC
• Freezer Defrost Sensor	EPCOS - VISHAY
• Cooler Defrost Sensor	EPCOS (it is not possible to change in the body)
• Cooler Sensor	EPCOS - VISHAY
• LED Illumination	4.8W

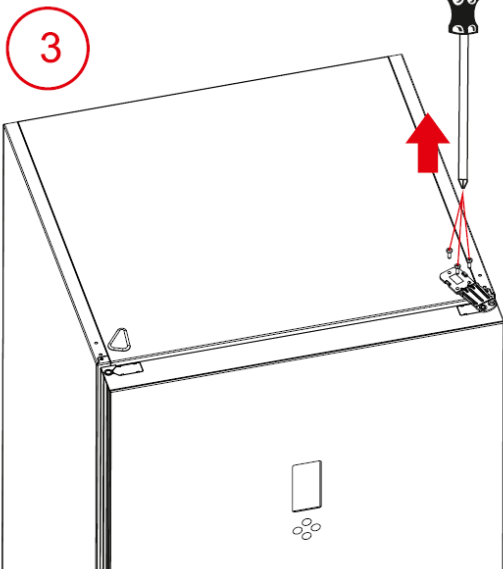
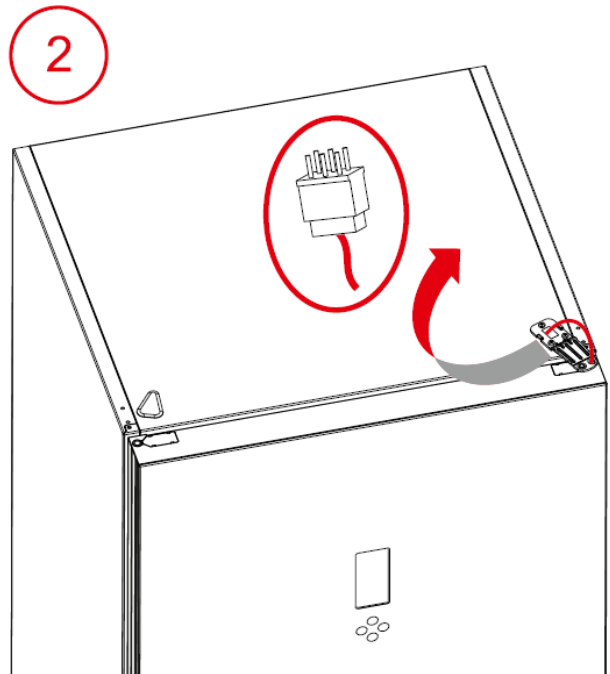
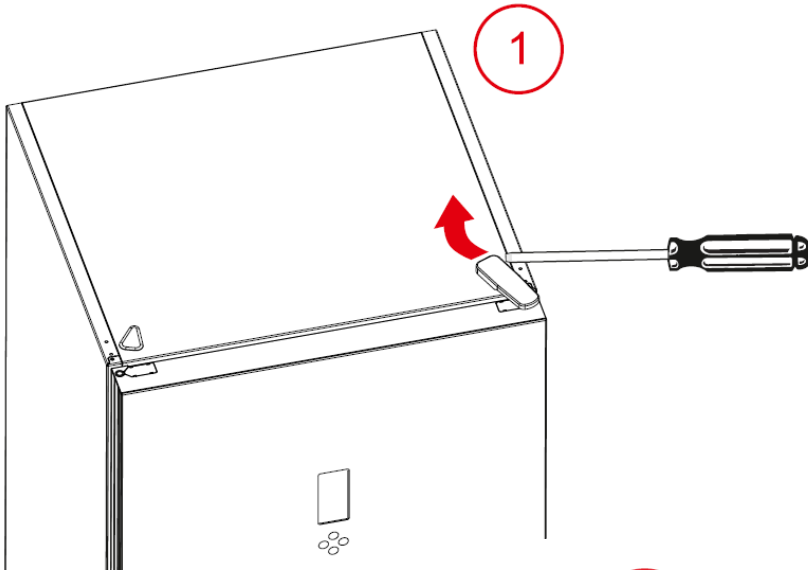
Resistance Values According To The Temperature Sensor (°C/Ohm Rates)
 (For The Freezer Defrost and The Cooler Ambient Sensor)

45 °C/1kΩ	-1 °C/6.2kΩ
35 °C/1.5kΩ	-3 °C/6.8kΩ
30 °C/1.8kΩ	-5 °C/7.5kΩ
25 °C/2.2kΩ	-7 °C/8.2kΩ
19 °C/2.7kΩ	-12 °C/10kΩ
14 °C/3.3kΩ	-15 °C/12kΩ
10 °C/3.9kΩ	-20 °C/15kΩ
5.5 °C/4.7kΩ	-24 °C/18kΩ
1.5 °C/5.6kΩ	-31.5 °C/27kΩ
0 °C/6kΩ	-35.5 °C/33kΩ

Sensor Resistance Values According To The Temperature (°C/Ohm Rates)
 (For The Cooler Defrost Sensor)

45 °C/2.15kΩ	-1 °C/17.1kΩ
35 °C/3.26kΩ	-3 °C/19kΩ
30 °C/4.02k14Ω	-
5 °C/21.1kΩ	-
25 °C/5kΩ	-7 °C/23.5kΩ
19 °C/6.53kΩ	-12 °C/30.8kΩ
14 °C/8.23kΩ	-15 °C/36.5kΩ
10 °C/9.95kΩ	-20 °C/48.6kΩ
5.5 °C/12.3kΩ	-24 °C/61.5kΩ
1.5 °C/15kΩ	-31.5 °C/98kΩ
0 °C/16.3kΩ	-35.5 °C/12.6kΩ

Reversing the door

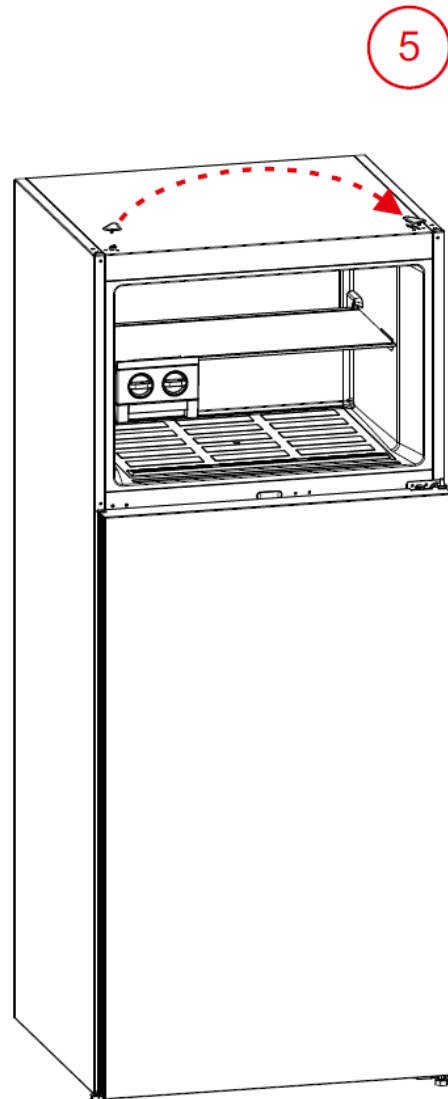
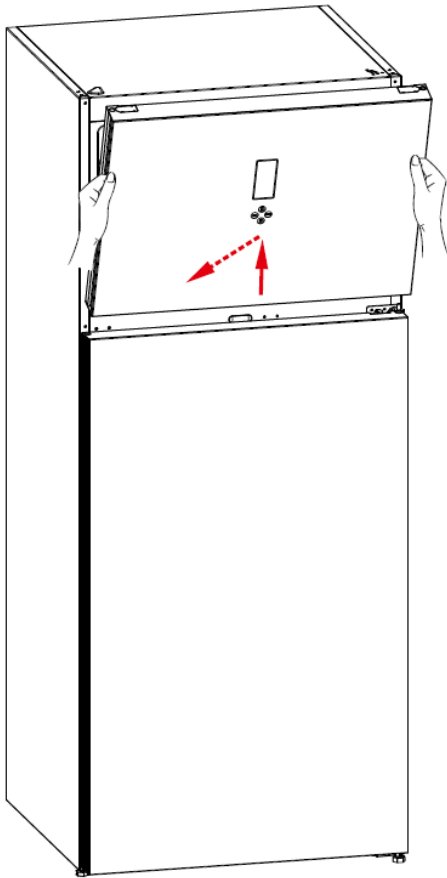


VESTEL
WHITE GOODS

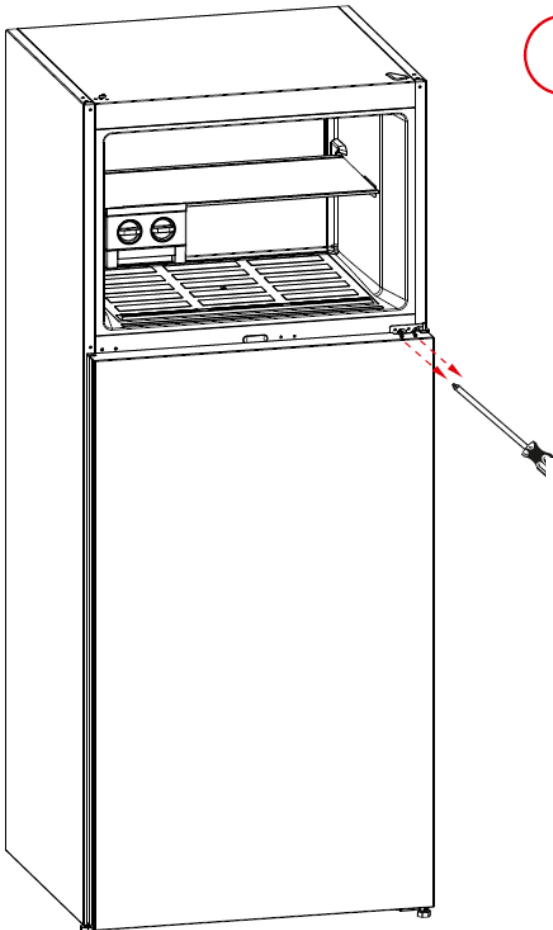
NO-FROST 543 ELEC. (GLASS DOOR)

**CUSTOMER
SUPPORT**

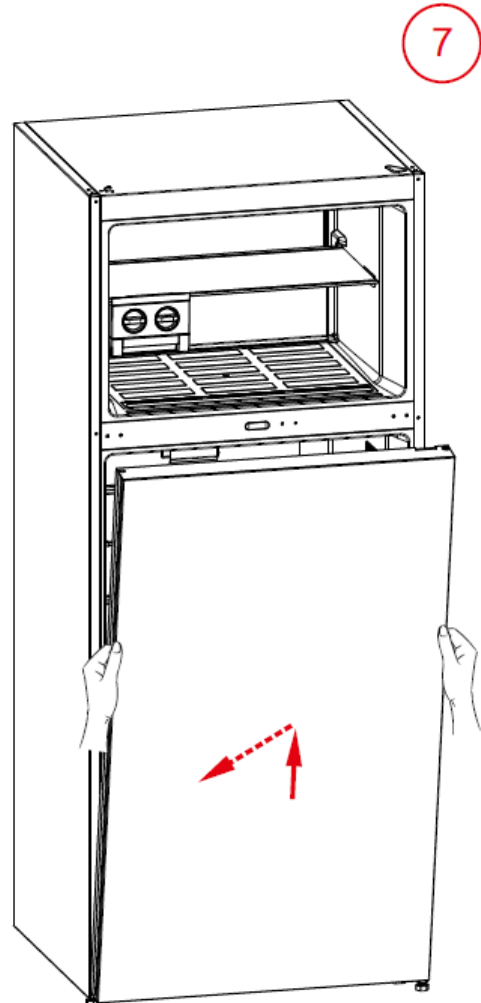
Reversing the door



Reversing the door



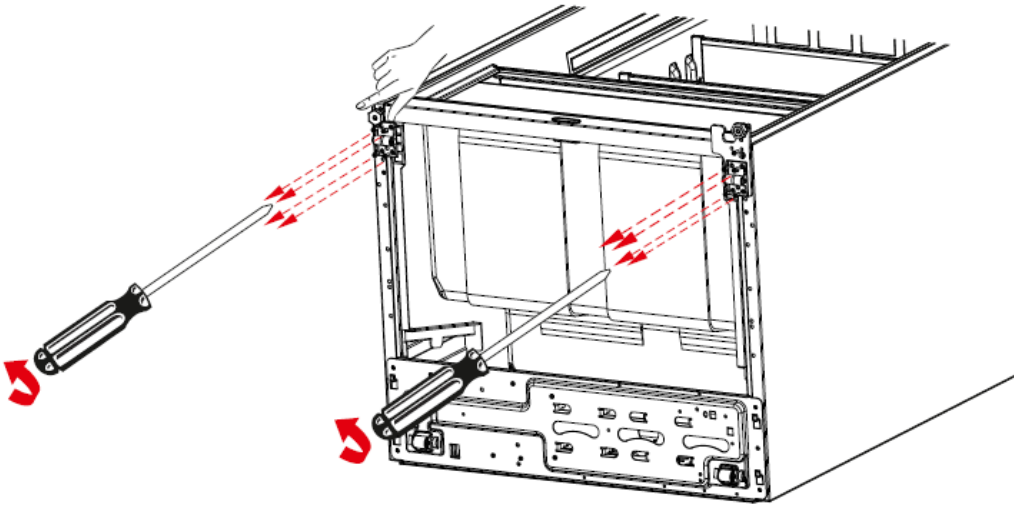
6



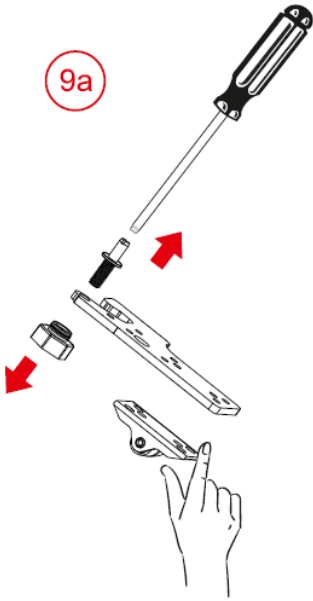
7

Reversing the door

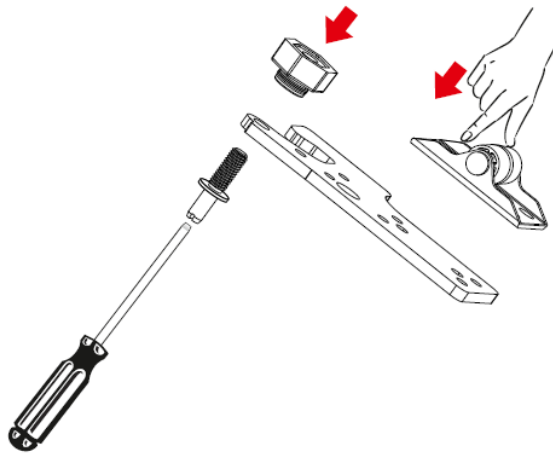
8



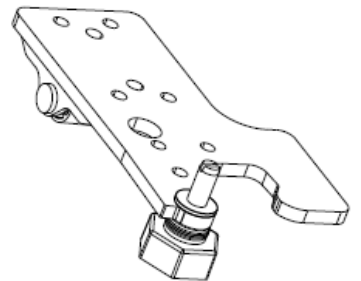
9a



9b

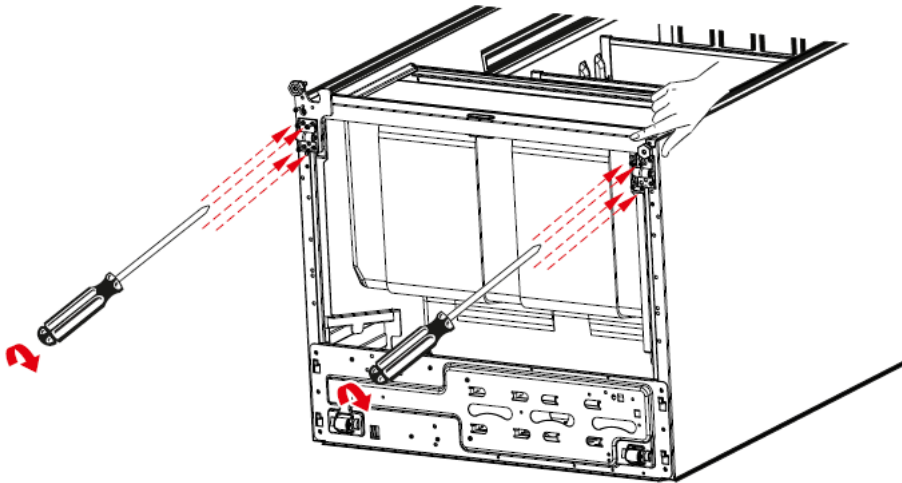


9c

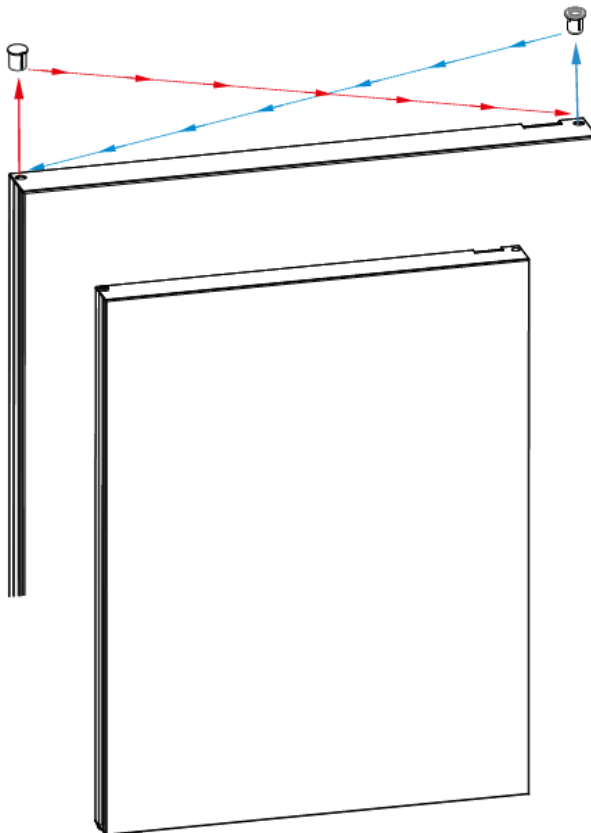


Reversing the door

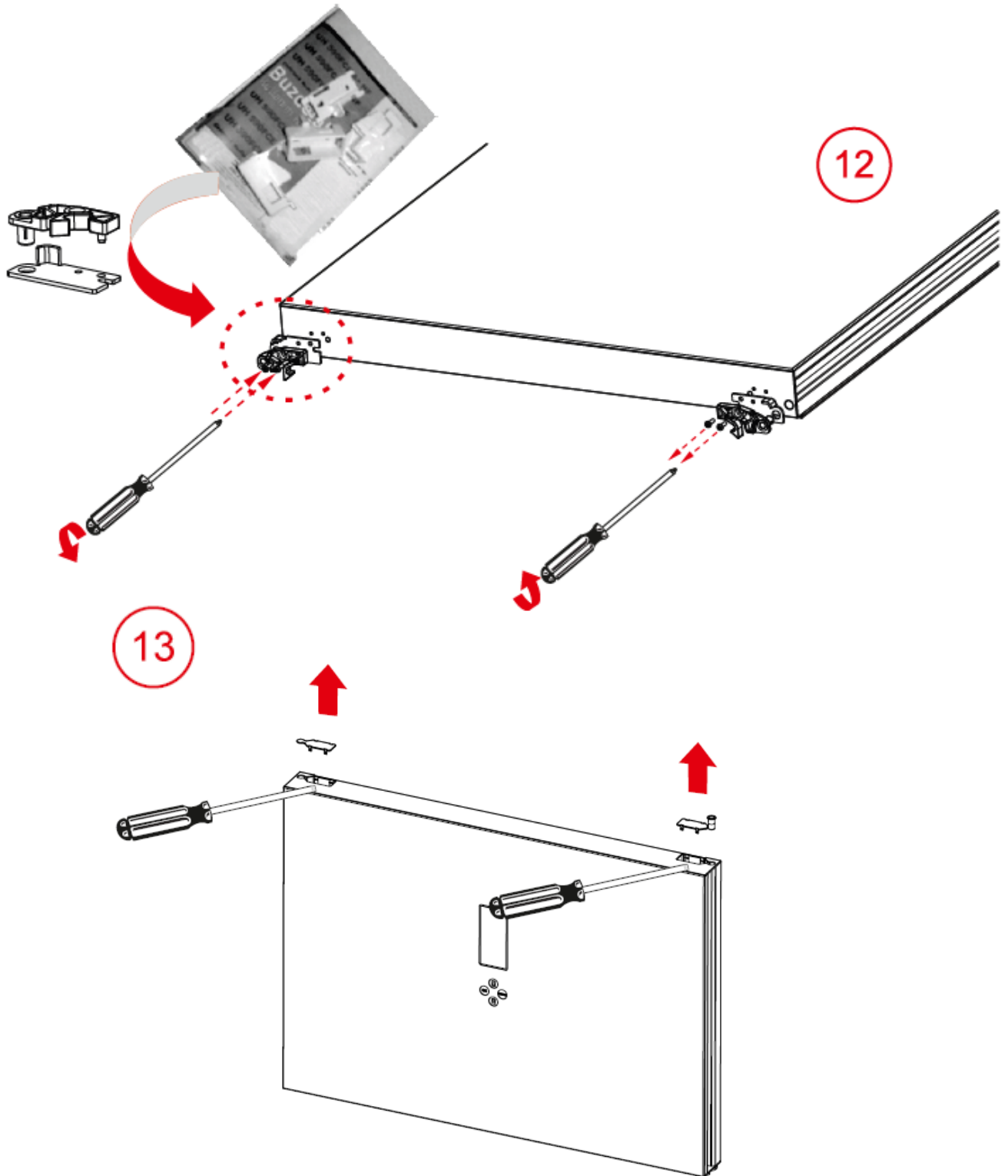
10



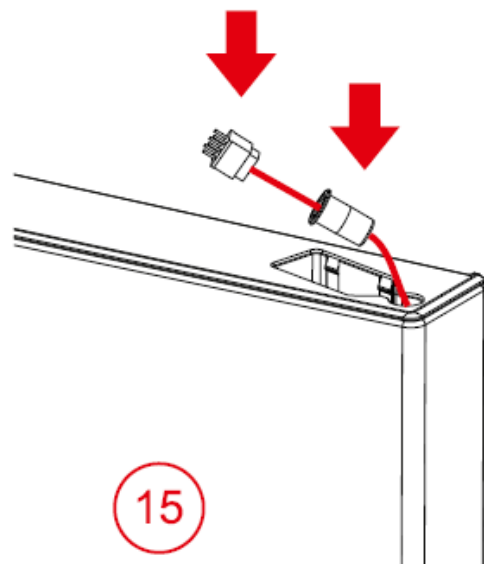
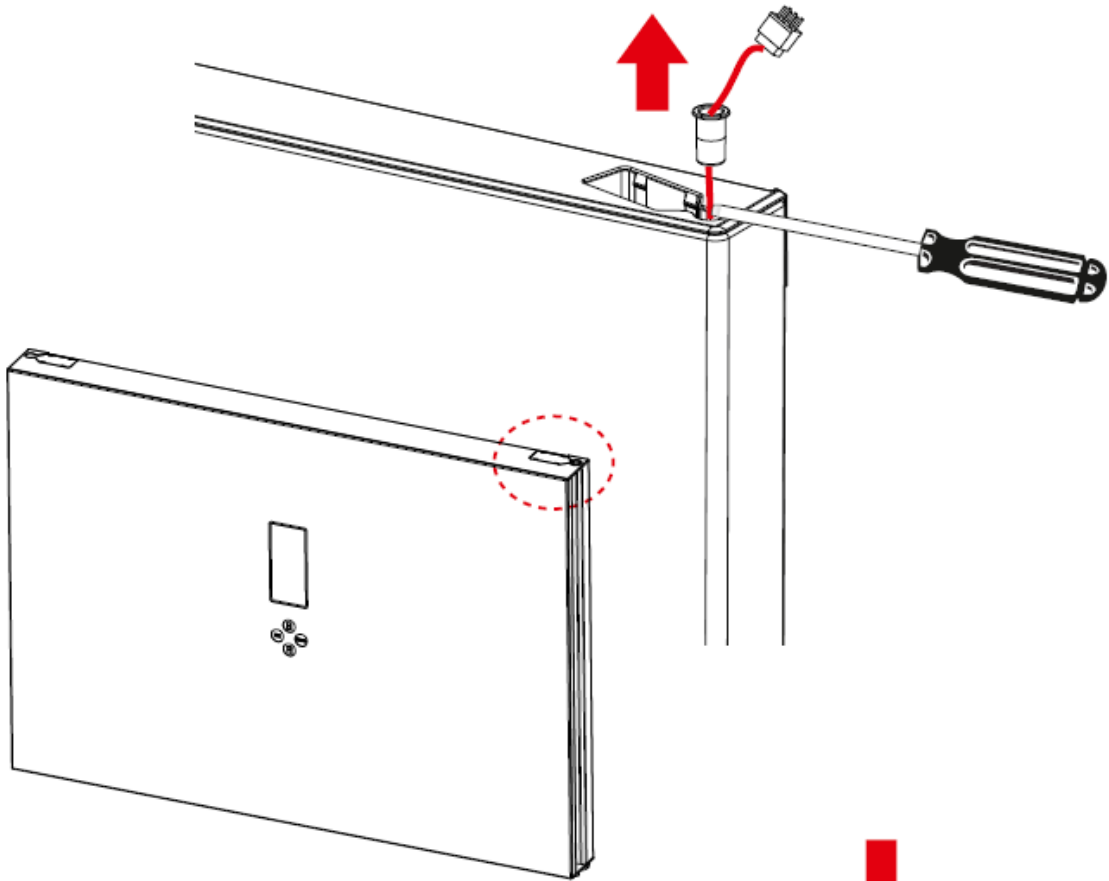
11



Reversing the door

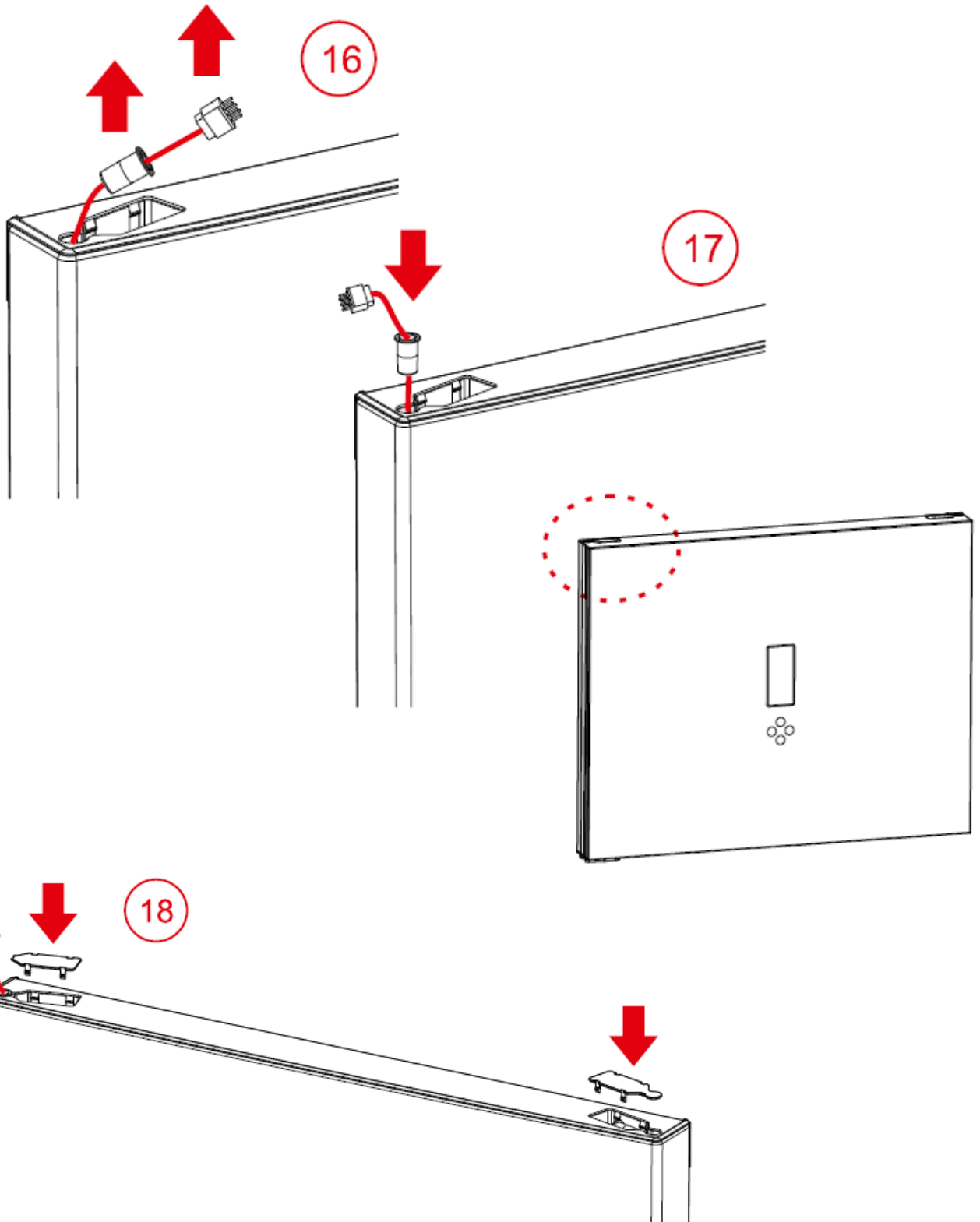


14

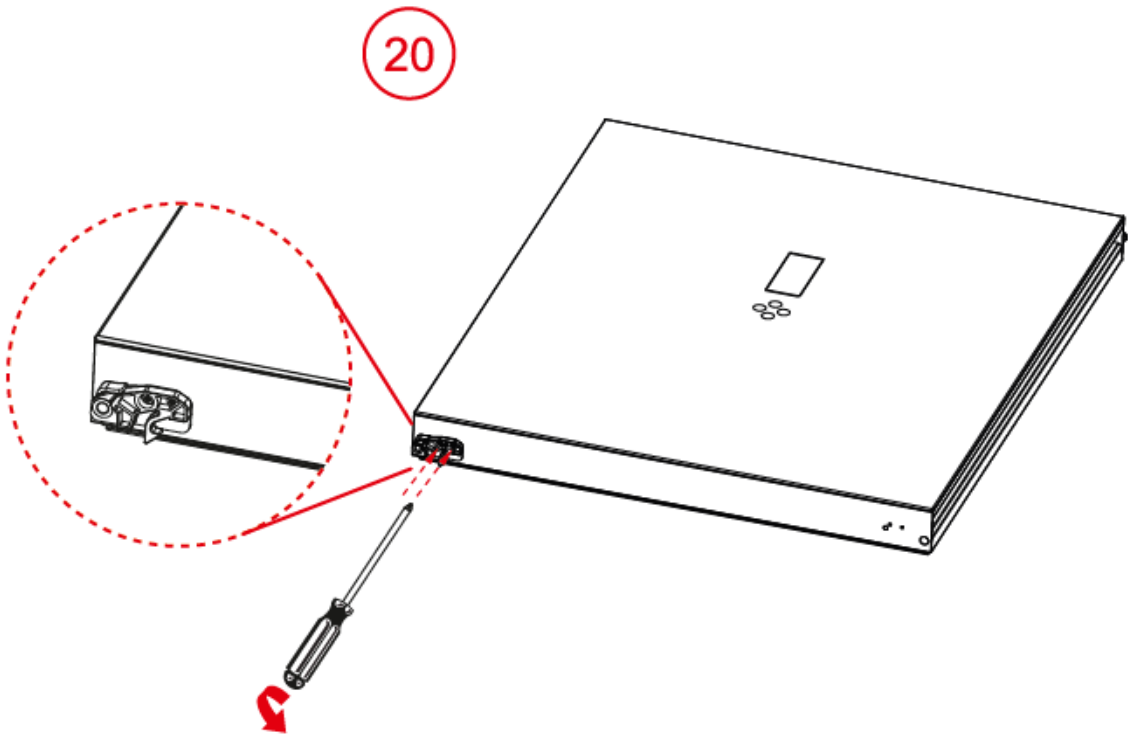
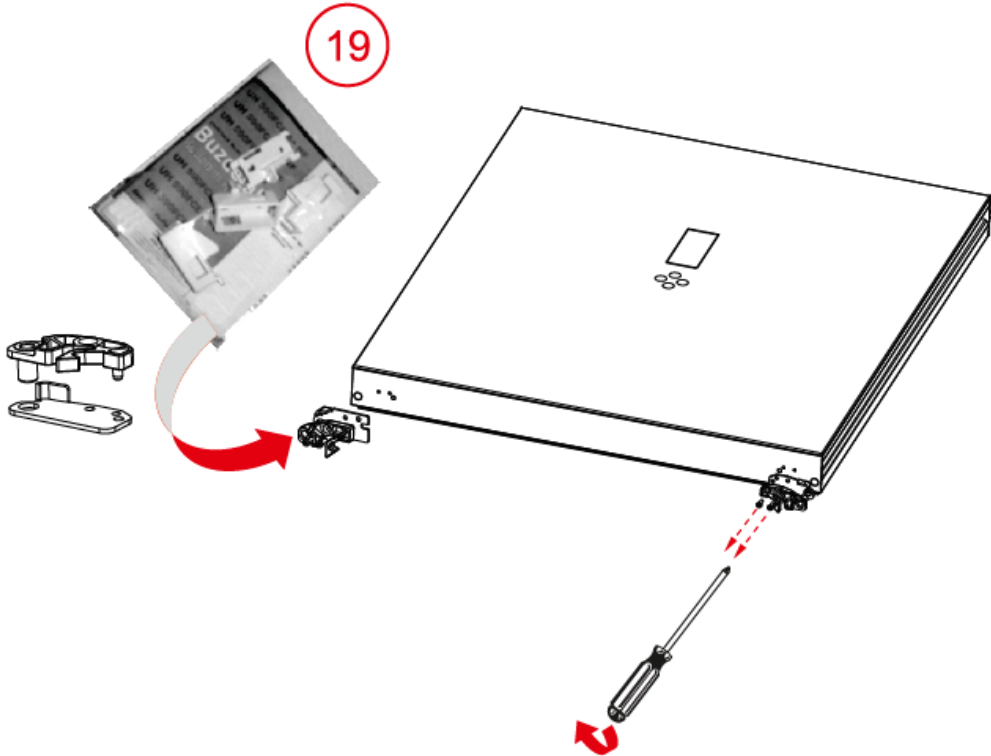


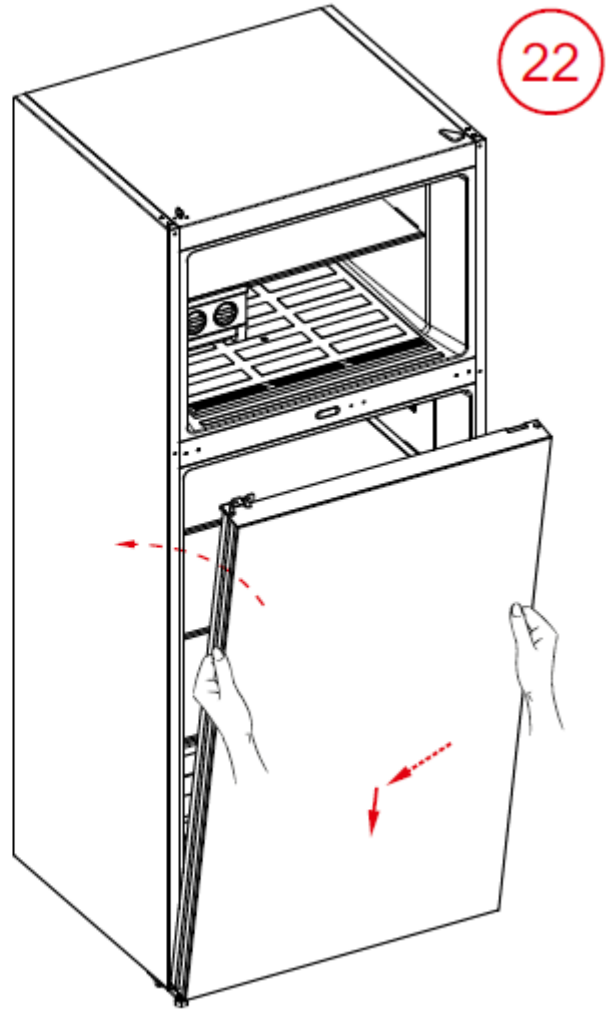
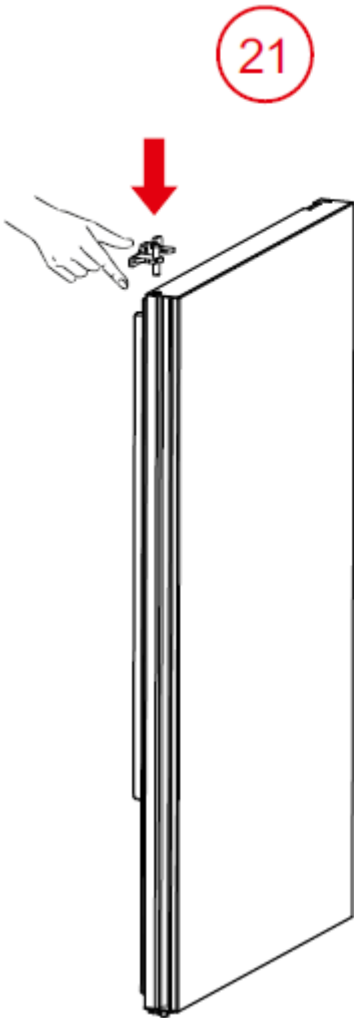
15

Reversing the door



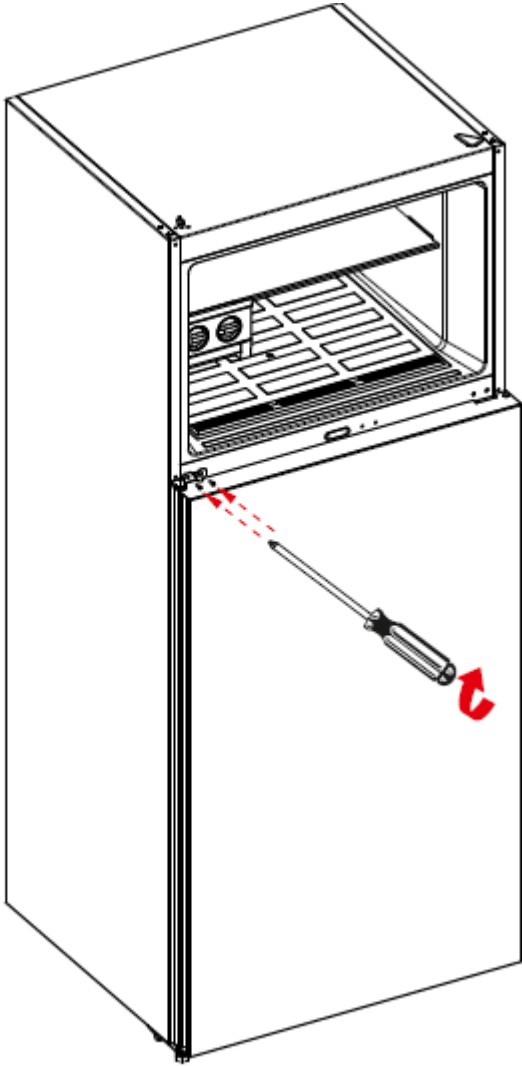
Reversing the door



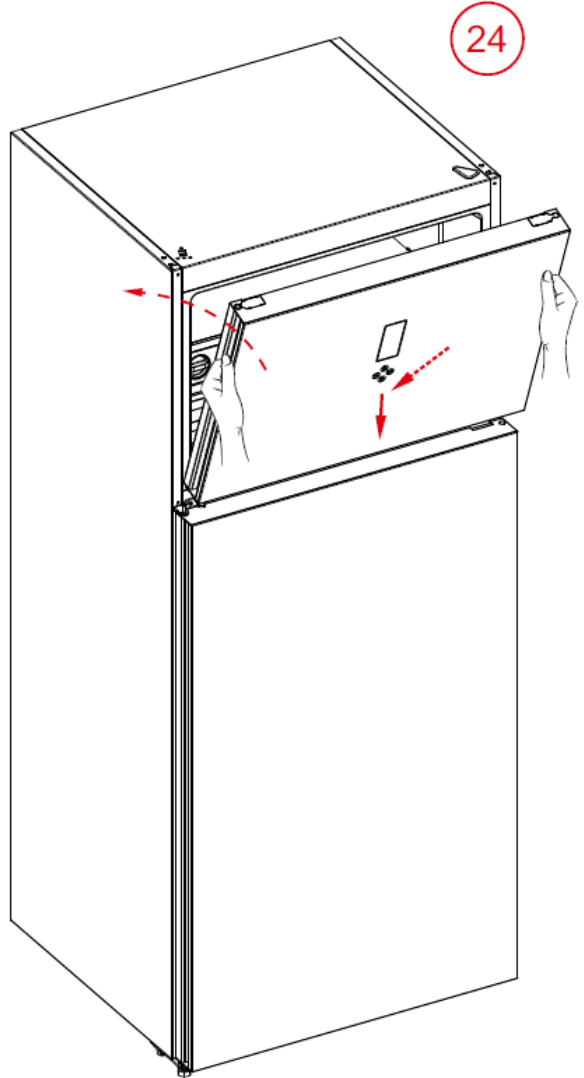


Reversing the door

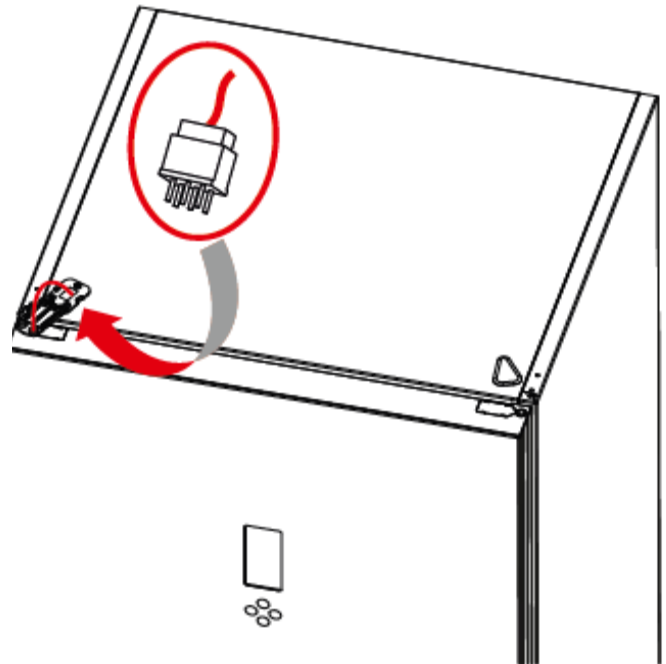
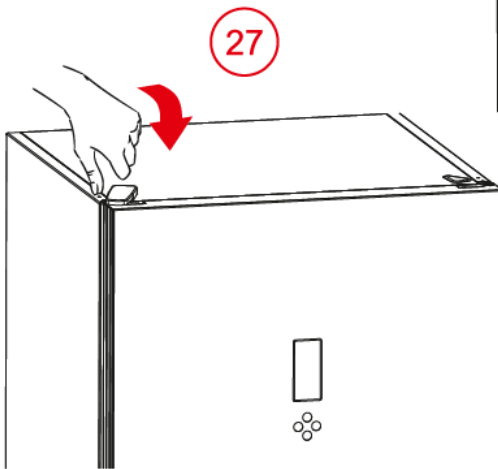
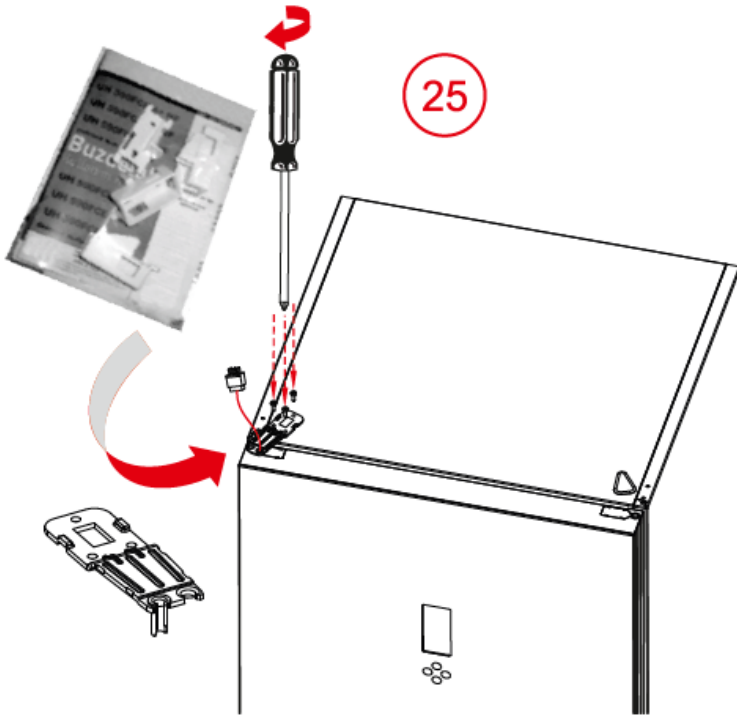
23



24



Reversing the door



CAUTION: The plug must be pulled out before the mainboard group is removed.

1. Unscrew the three screws which are fixing the mainboard cover by using the screwdriver. (Pic-1 / Pic-2 / Pic-3)
2. Remove the cover after the screws are removed.(Pic-4)

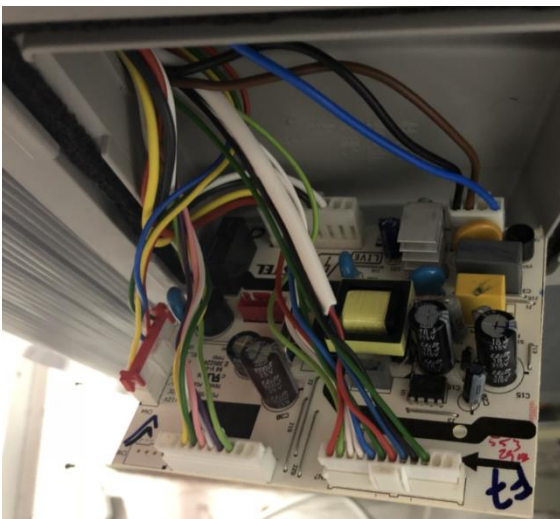


Picture-1

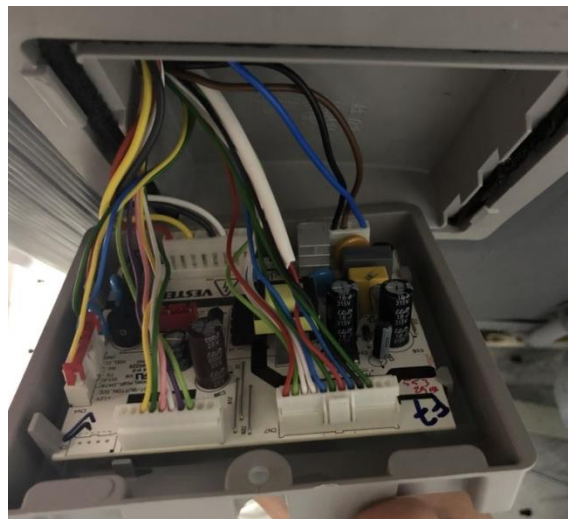


Picture-2

3. Pull the mainboard slightly forward and disconnect all the connectors and then replace it. Finally, place the mainboard cover and screw it.



Picture-3



Picture-4

1. Remove the cooler glass shelves and the chiller. (Pic-1)



Picture-1

2. Stick one tape to each air duct to avoid scratching. Remove the screw caps by using a flat screwdriver and screw the screws. (Pic-2.1/Pic-2.2)



Picture-2.1



Picture-2.2

3. Flex the multi flow by holding the fan cover and remove it. Disconnect the connector after removing the multi flow. (Pic-3)



Picture-3

1. Remove the fan cover by flexing the fan cover detail and then remove the fan motor by flexing the fan motor rubbers. (Pic-1/ Pic-2/Pic-3)



Picture-1



Picture-2



Picture-3

2. Place the rubbers to the fan motor. After that, first place the bottom two details of the fan motor and place the top two details by pressing-flexing it. (Pic-4/ Pic-5/Pic-6)

Note : The fan motor cable outlet should be at the top-left corner of it.

3. After the connector is connected, place it by flexing it and then reassemble the multi flow by screwing.



Picture-4



Picture-5



Picture-6

Remove the sensor cover with the help of a screwdriver and then disconnect the sensor connector.

Place the bottom-front details of the cover to its housing and then place the top cover detail to the housing by flexing it with a screwdriver.



CAUTION: Pay attention not to damage to the sensor cover details!

1. Displace the glass shelf or the ice box group if there is. (Pic-1)
2. Insert a flat screwdriver into the gap and then support the lateral surface of the multi flow with the help of a hand and remove the freezer multi flow group. (Pic-2)
3. Removing the freezer bottom cover. (Pic-3)



Picture-1



Picture-2



Picture-3

Assembling The Freezer Multi Flow Group

1. Recline the bottom cover against one side and place the freezer multi flow cover details. (Pic-4)
2. Hold the back side of the bottom cover and flex it. After that, reassemble the other side details. Finish the assembly by pulling the cover. (Pic-5 / Pic-6)
3. First, place the freezer multi flow details to the backside of the bottom cover (Pic-7/Pic-8) and reassemble the freezer multi flow cover by pushing back. (Pic-9)

Note: The freezer multi flow should be removed before the freezer bottom cover.



Picture-4



Picture-5



Picture-6



Picture-7



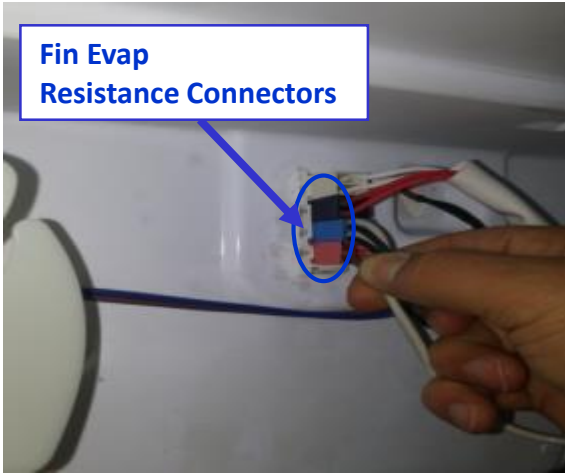
Picture-8



Picture-9

VESTEL WHITE GOODS	NO-FROST 543 ELEC. (GLASS DOOR)	CUSTOMER SUPPORT
	Removing Fin Evaporator Group	

1. Remove the fin evaporator resistance connectors from the sockets. (Pic-1) (**blue** connector)



Picture-1

2. Displace the fin evaporator balanced by holding on both sides. (Pic-2)

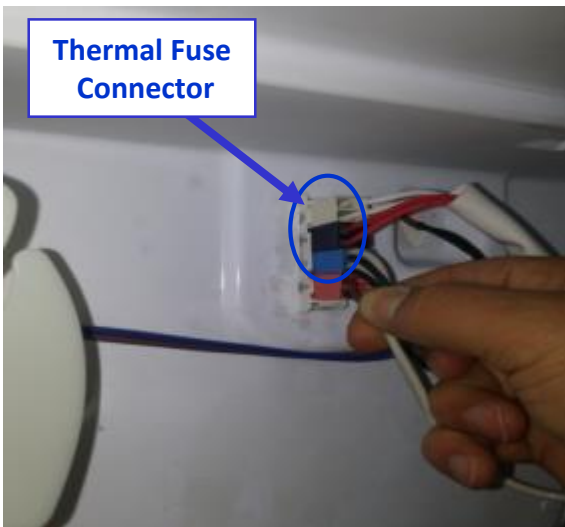


Picture-2

CAUTION: The fin evaporator should not be pulled upward-downward. Otherwise, the fin evaporator fixing plastics might be broken.

Removing The Thermal Fuse

1. Remove the thermal fuse connector. (Pic-1) (**white-black** connector)



Picture-1

2. Thermal fuse has two details. These details hold on to the pipe. It could be removed easily. (Pic-2)



Picture-2

Removing The Freezer Fan Motor

1. Remove the fan motor connector. (Pic-1)
2. Unscrew the fan motor fixing screws and displace the fan motor. (Pic-2)
3. Remove the propeller. (Pic-3)



Picture-1



Picture-2



Picture-3

4. Displace the details on the fan motor box. (Pic-4)



Picture-4



Fan Motor Components

1. Unscrew the bottom tray screws and displace it from the compressor basement. After that, remove the fan motor connector. (Pic-1)
2. Unscrew the screws fixing the evaporating tray. (Pic-2)
3. Remove the evaporating tray to displace the fan motor. (Pic-3)



Picture-1



Picture-2



Picture-3

4. Unscrew the fan motor screws. (Pic-4)
5. Remove the propeller. (Pic-5,Pic-6)



Picture-4



Picture-5



Picture-6

VESTEL WHITE GOODS	NO-FROST 543 ELEC. (GLASS DOOR)	CUSTOMER SUPPORT
	Removing/Assembling The Reed Switch	

Take the reed switch out of its place with a screwdriver. Then Disconnect the connectors of the Switch and remove it.



Cabinet



Top door

NOTE: Reed Switch is a very sensitive miniature electronic card. So during the assembly and disassembly be careful not to damage it.

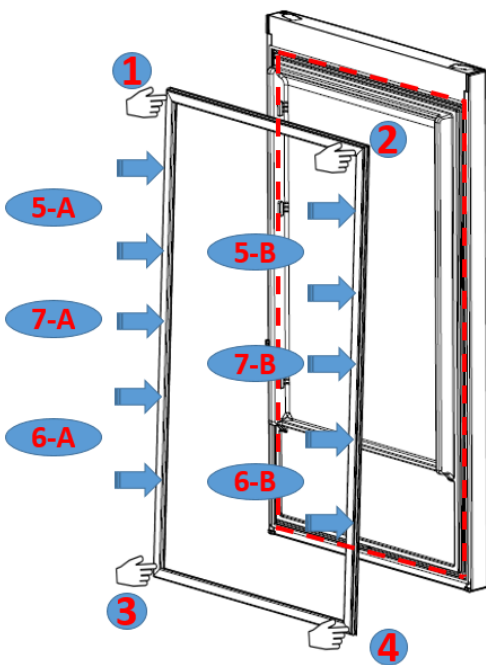
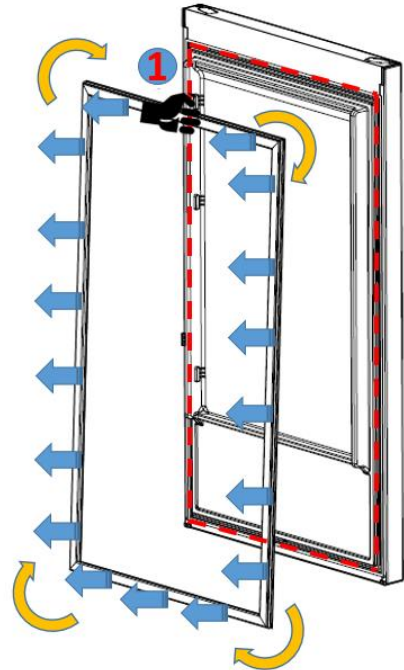
During the disassembly of the reed switch, there is a step on the edge of the plastic part which provides easier disassembly and by that tool it can be taken out from the same place every time.

It must be assembled as this step should be in the invisible (inside of the refrigerator) part. Otherwise the distance which the lamp turns on/off may change.

After the assembly or replacement the service should check if the reed switch is damaged by giving energy and opening and closing the door.

Removing The Door Gasket

Pull the gasket towards starting from top right corner
Slowly pull the rest of the gasket.
Completely remove the gasket from door.

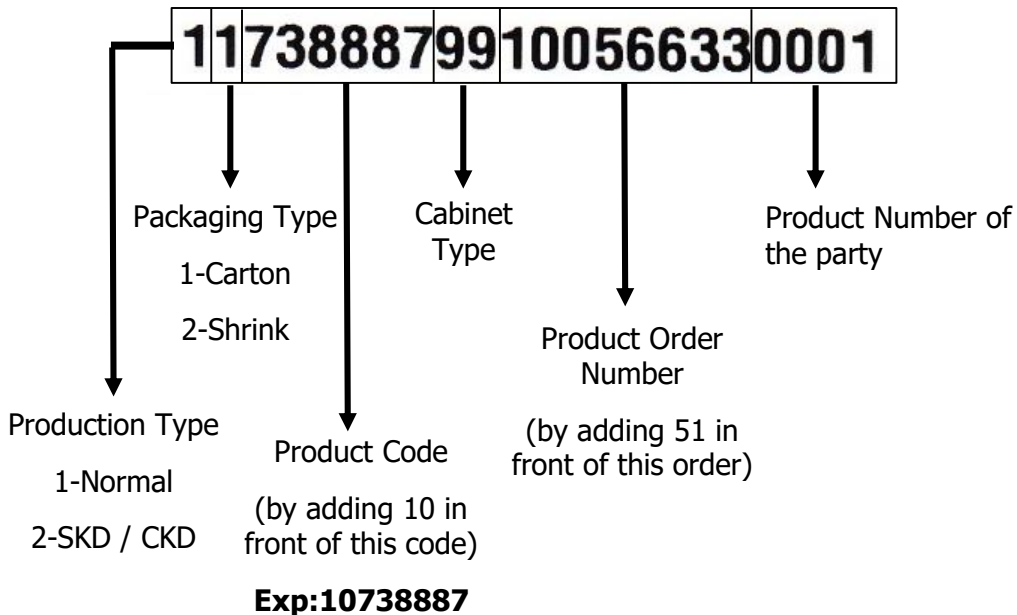
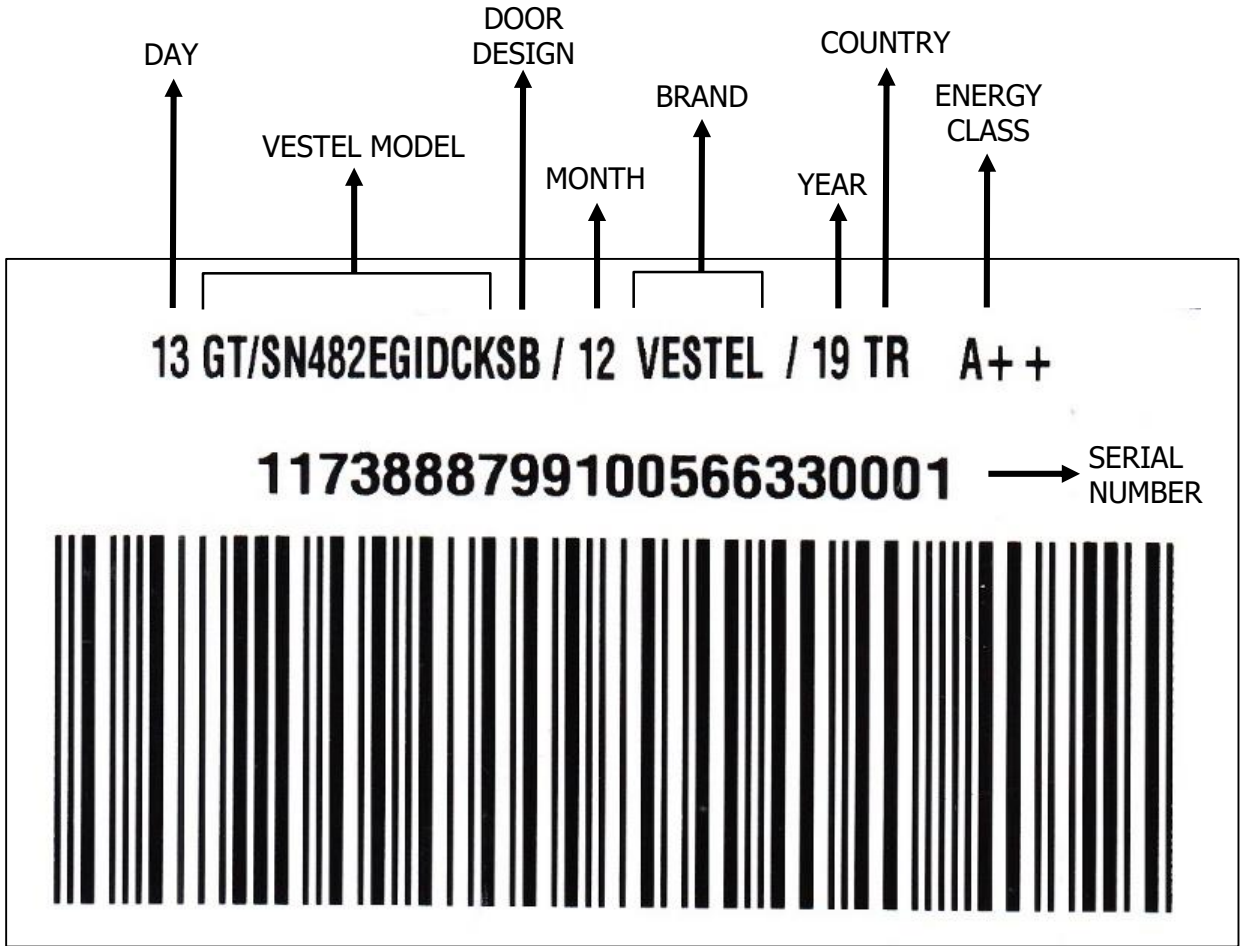


Check the replacement gasket form
Starting with upper right corner, press on the gasket until it fits to its place..
Place the other sides of the gasket with the help of your thumb

After the replacement check if there any non-fitting point on the gasket. Also check if there any opening at the gasket while the door is closed. If so that might cause condensation/icing or insufficient cooling/freezing. To prevent this soften the form of the gasket with the help of a hair dryer or hot water and make sure that all points are closing perfectly.

VESTEL WHITE GOODS	NO-FROST 543 ELEC. (GLASS DOOR)	CUSTOMER SUPPORT
	Barcode and Serial Number Explanation:	

Vestel refrigerator serial numbers are consist of 22 digits.

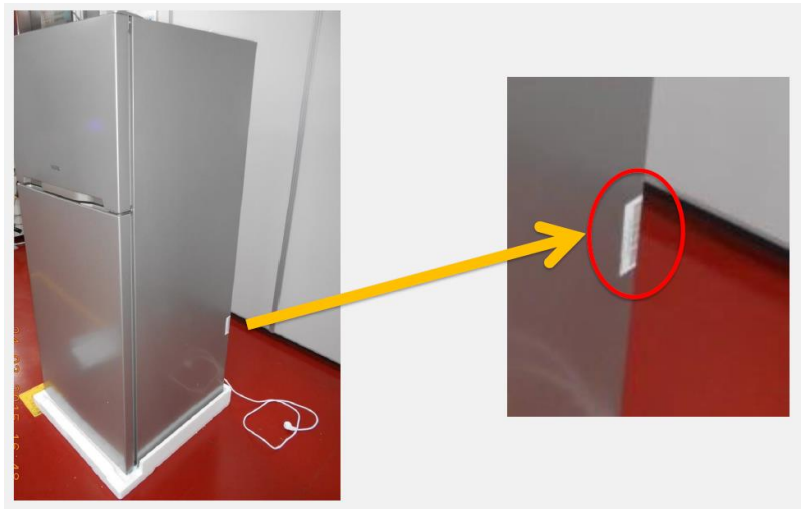


VESTEL WHITE GOODS	NO-FROST 543 ELEC. (GLASS DOOR)	CUSTOMER SUPPORT
	Barcode and Serial Number Explanation:	

Packaging Barcode Position



Body Barcode-1 Position



Body Barcode-2 Position

