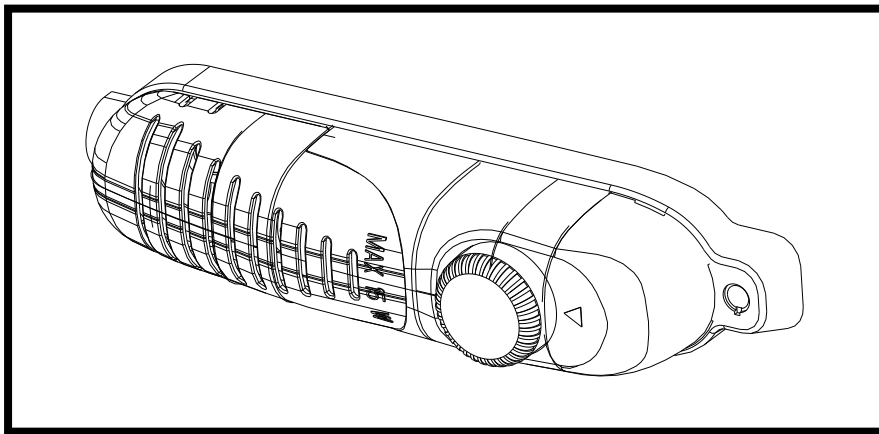
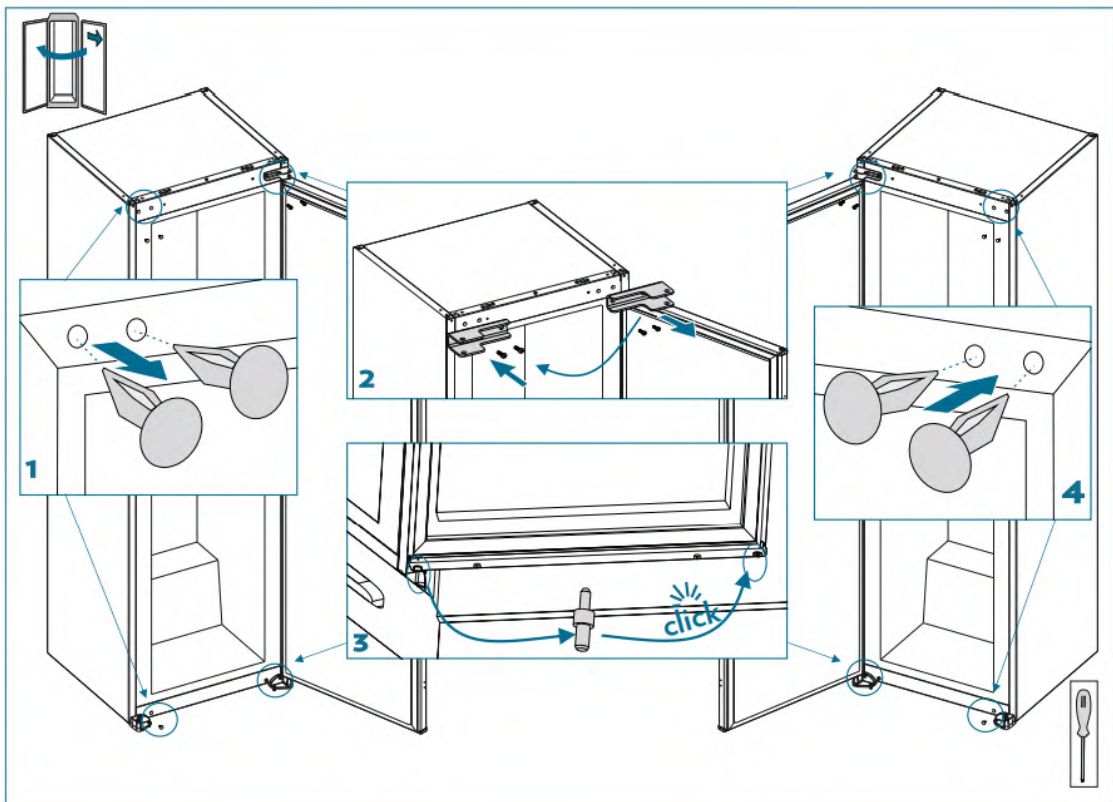


Thermostat Knob :

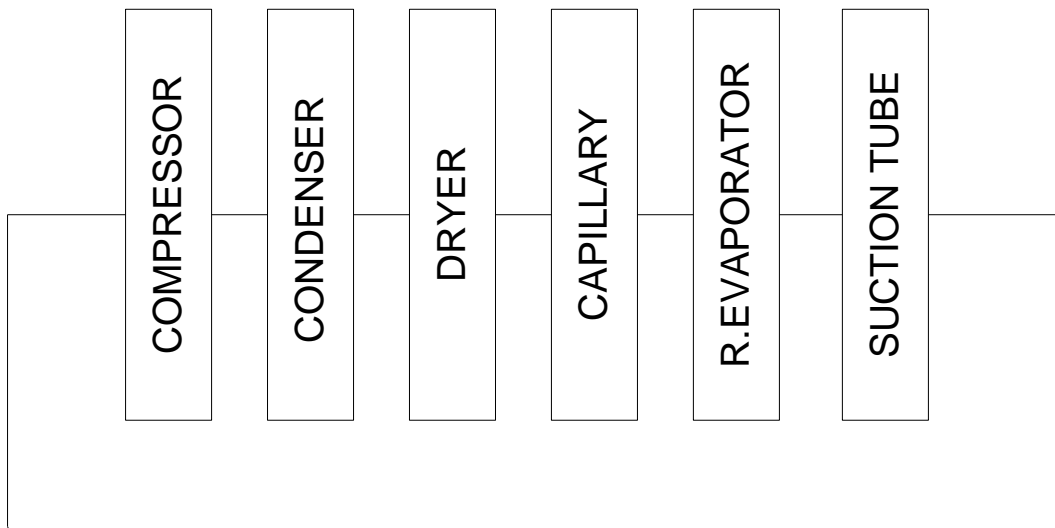
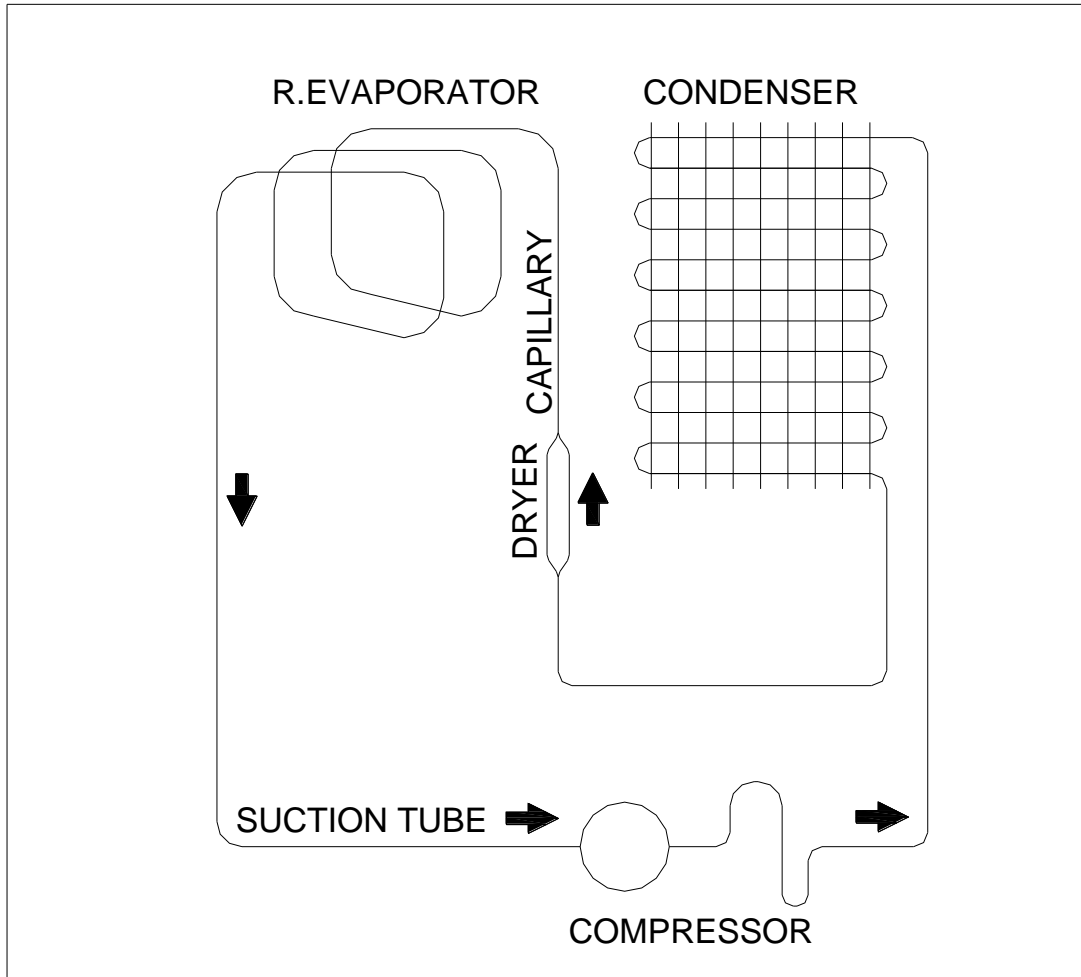
- 1) This knob is used to control the temperature of the freezer and refrigerator parts automatically. It can be set to any value between “0” and “5” positions.
- 2) “ 0 ” position indicates that the thermostat is “off”. The refrigerator is “off” on this setting.
- 3) By turning the knob between “1” and “5”, you can increase or decrease the cooling degree.
- 4) The refrigerator is designed to get optimum performance when the thermostat knob is set between position “2” to “4”.



Changing The Door Swing Direction



REFRIGERANT CYCLE DIAGRAM



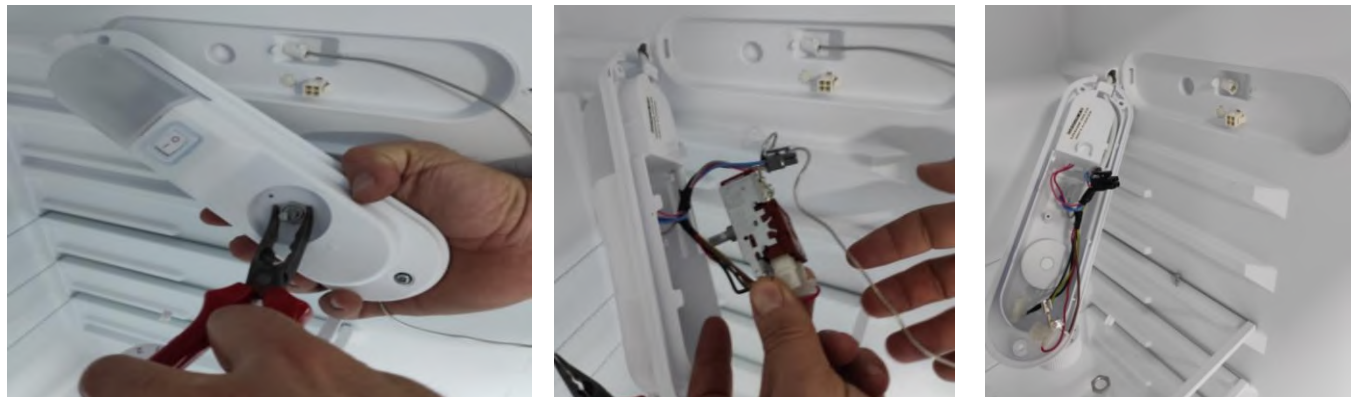
Replacament of Thermostat

CAUTION: The plug must be pulled out before the thermostat is removed.

Remove screw which is attached one side of the thermostat



Firstly take off the button and screw and then take off all cable connection and pull thermostat bulb out



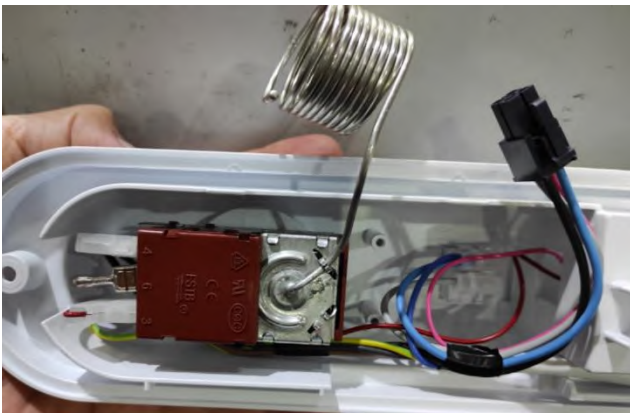
Take off the lamp cover, cable connection and screw at below picture



Firstly cut off the black band and change the thermostat



Place the thermostat, screws is tightened, insert the button
Connect cables as shown below



Send the thermostat bulb pipe throughout the hole until it end

Plug the black socket to the frige

Close the lamp cover ve screw is tightened which are attached one side of the thermostat.

CAUTION: The plug must be pulled out before the thermostat led is removed.

Screwdriver into the gap and remove the led cover.



Remove screw led



Disconnect the connector and change the led.



Replecament of Door Switch

Remove the door switch by pulling forward and disconnect switch connector.



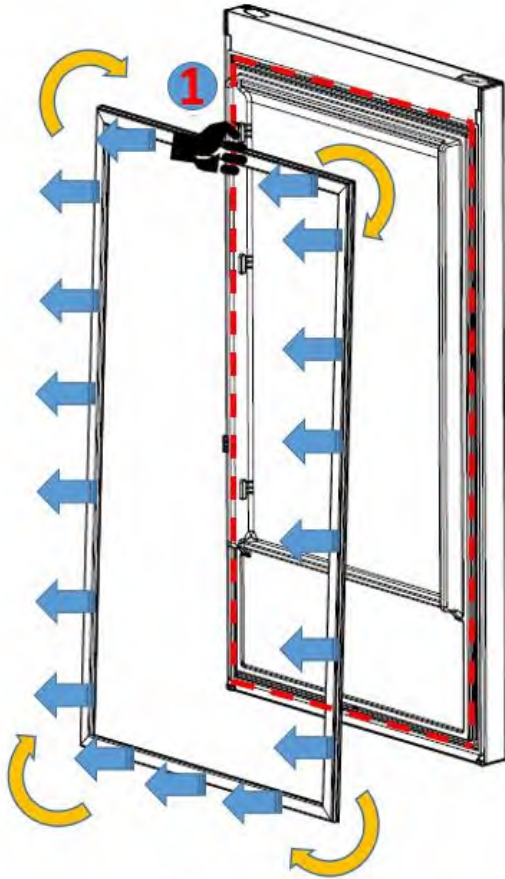
Door switch
Door open = switch closed
Door closed = switch open



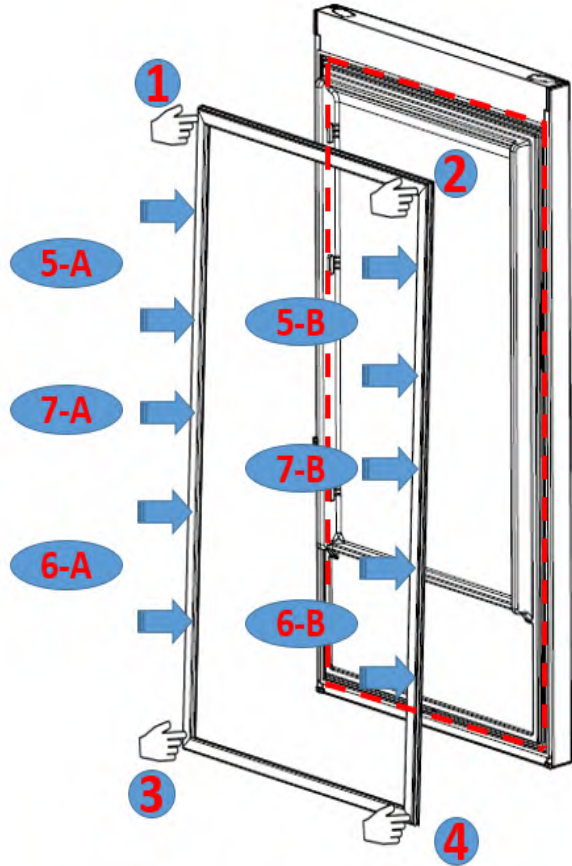
Warning: Pay attention not to damage to the door switch body details!

Replecament of Door Gasket

Pull the gasket towards starting middle of the top edge as shown. Slowly pull towards left and right corner. Then continue through frame until the gasket will completely removebe removed from door.



Check the replacement gasket form. Starting with upper left corner, press on the gasket until it fits to its place.. Place the other sides of the gasket with the help of your thumb as the sequence shown on picture.

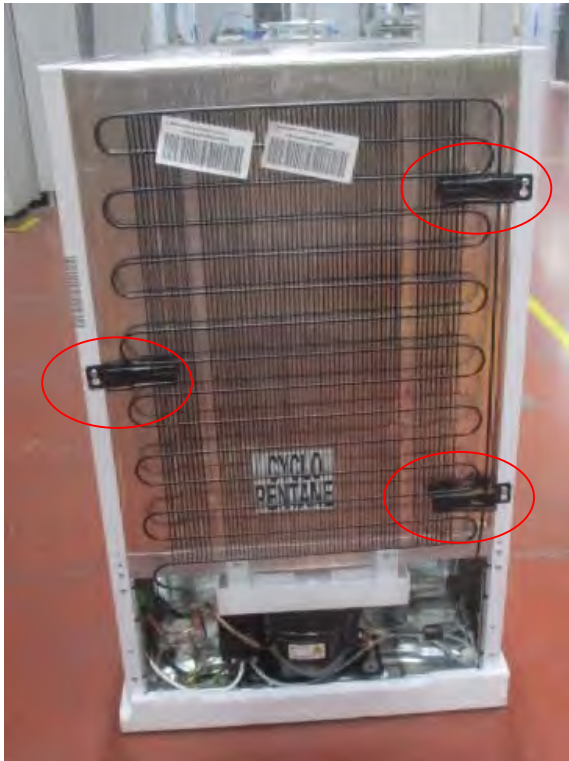


After the replacement check if there any non-fitting point on the gasket. Also check if there any opening at the gasket while the door is closed. If so that might cause condensation/icing or insufficient cooling/freezing. To prevent this soften the form of the gasket with the help of a hair dryer or hot water and make sure that all points are closing perfectly.

Replecament of Main Condanser



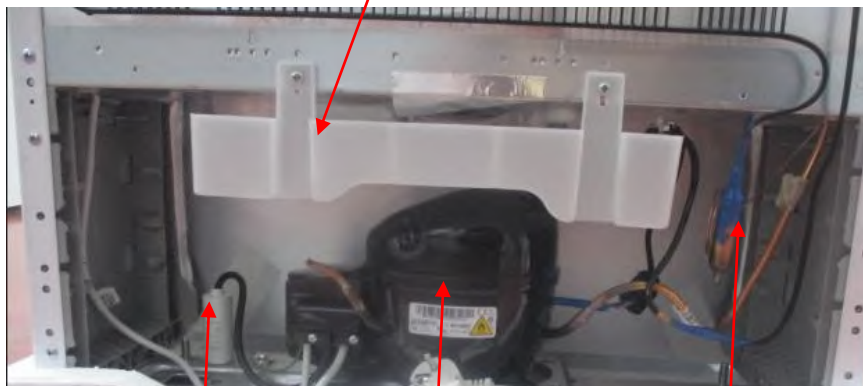
The plug must be pulled out before condanser is removed.



Dissassemble the back condanser by using the screwdriver to remove 3 screws.

Separate the compressor by using the plier to cut the welding connector.

Condensation water tray



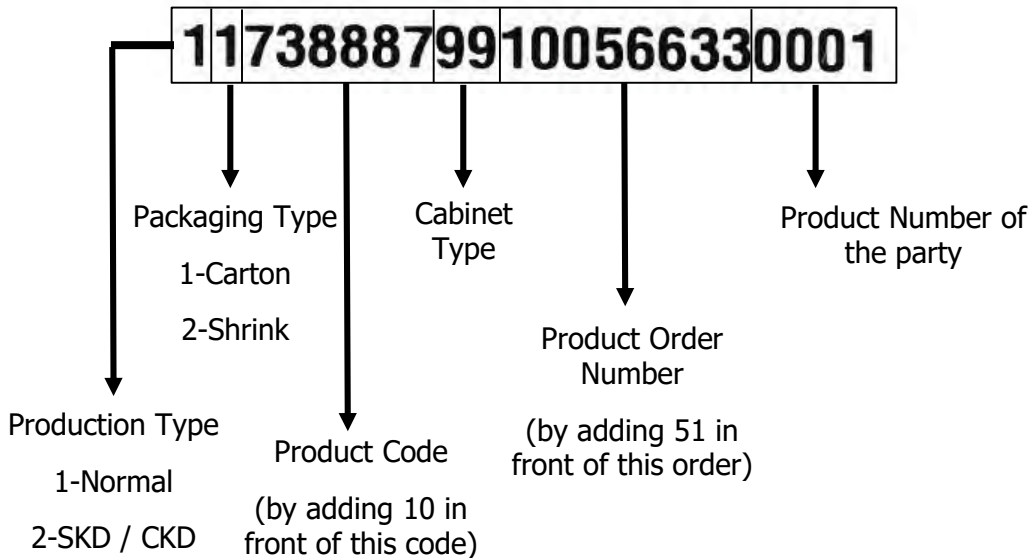
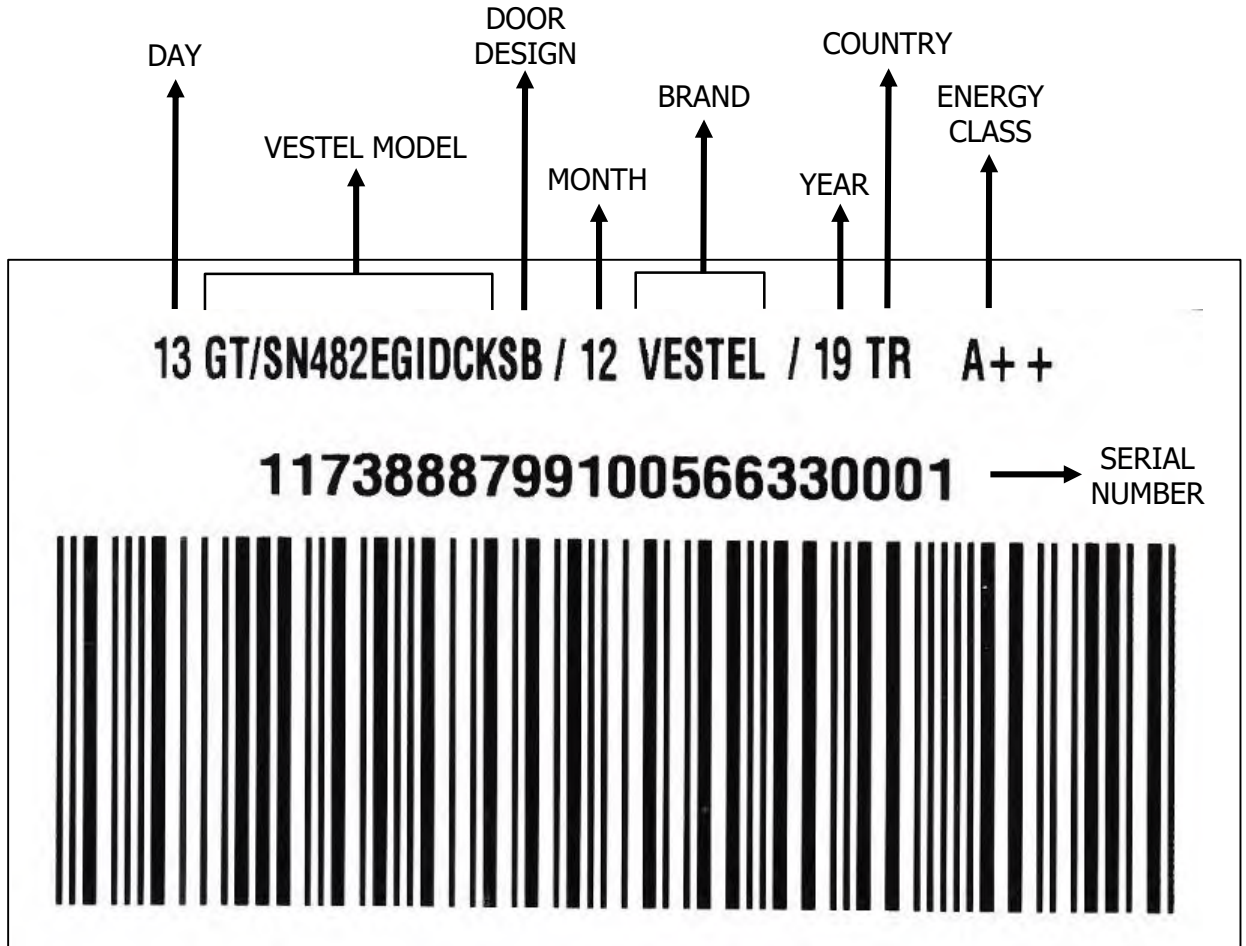
Capacitor
(Optional)

Compressor

Dryer

Barcode and Serial Number Explanation

Vestel refrigerator serial numbers are consist of 22 digits.



Exp:10738887