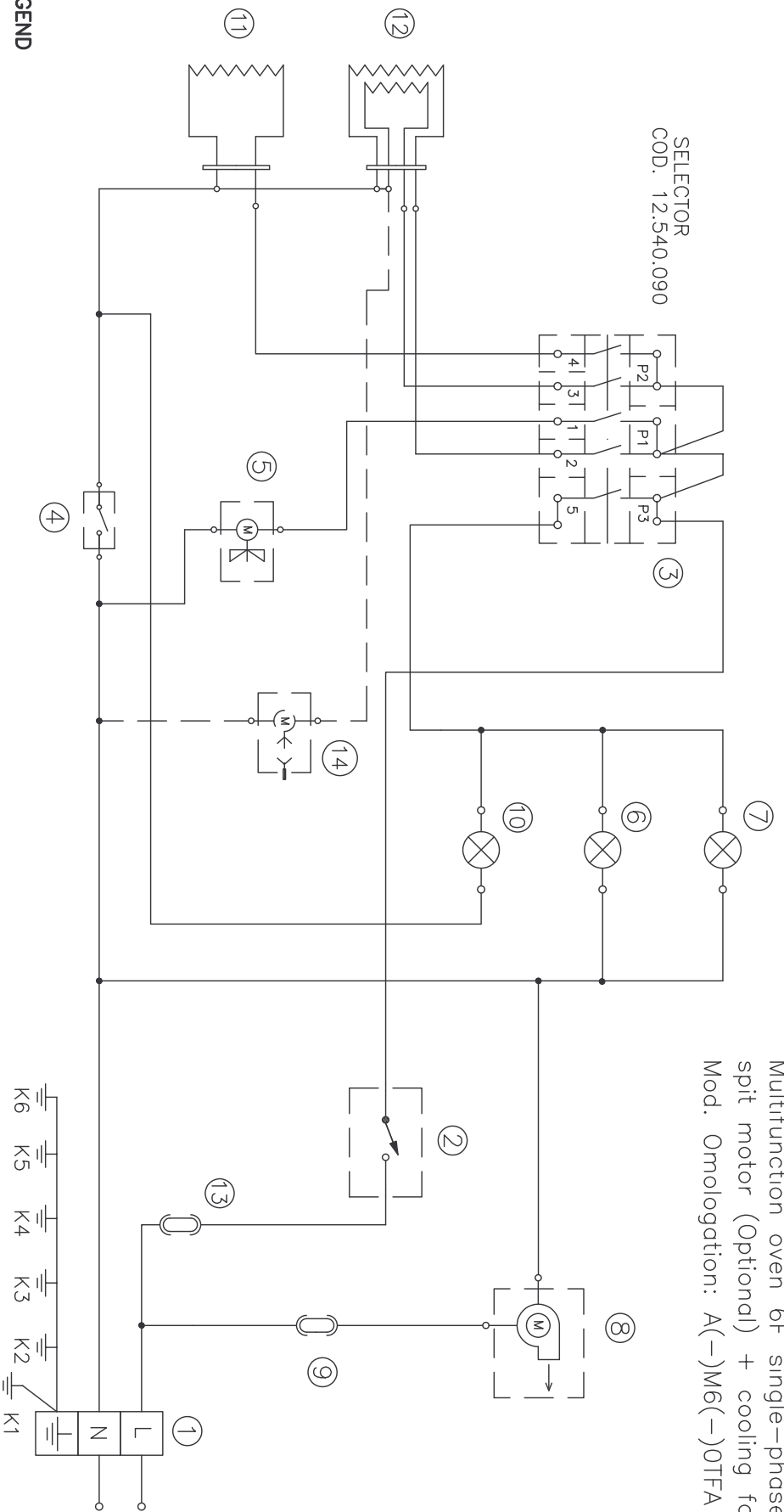


Multifunction oven 6F single-phase + rotating spit motor (Optional) + cooling fan motor  
 Mod. Omologation: A(-)M6(-)0TFA



**LEGEND**

- 1- Supply terminal
- 2- Timer end cooking
- 3- Selector
- 4- Oven thermostat
- 5- Fan motor
- 6- Pilot lamp selector
- 7- Oven light
- 8- Cooling fan motor
- 9- Thermostat start cooling fan
- 10- Pilot lamp thermostat
- 11- Bottom heating element
- 12- Upper+grill heating element
- 13- Thermal cut-out
- 14- Rotating spit motor (Optional)

WIRING COD. 42.750.039