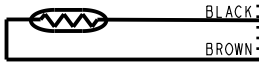


MAINBOARD

BD67

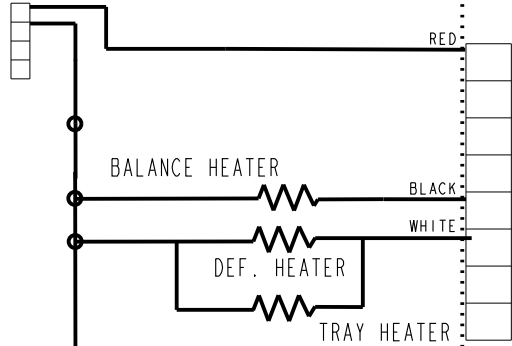


(OPTIONAL)
AMBIENT
SENSOR



AT
5V

(OPTIONAL)
AC IONIZER



FUSE

COMP
L
N

