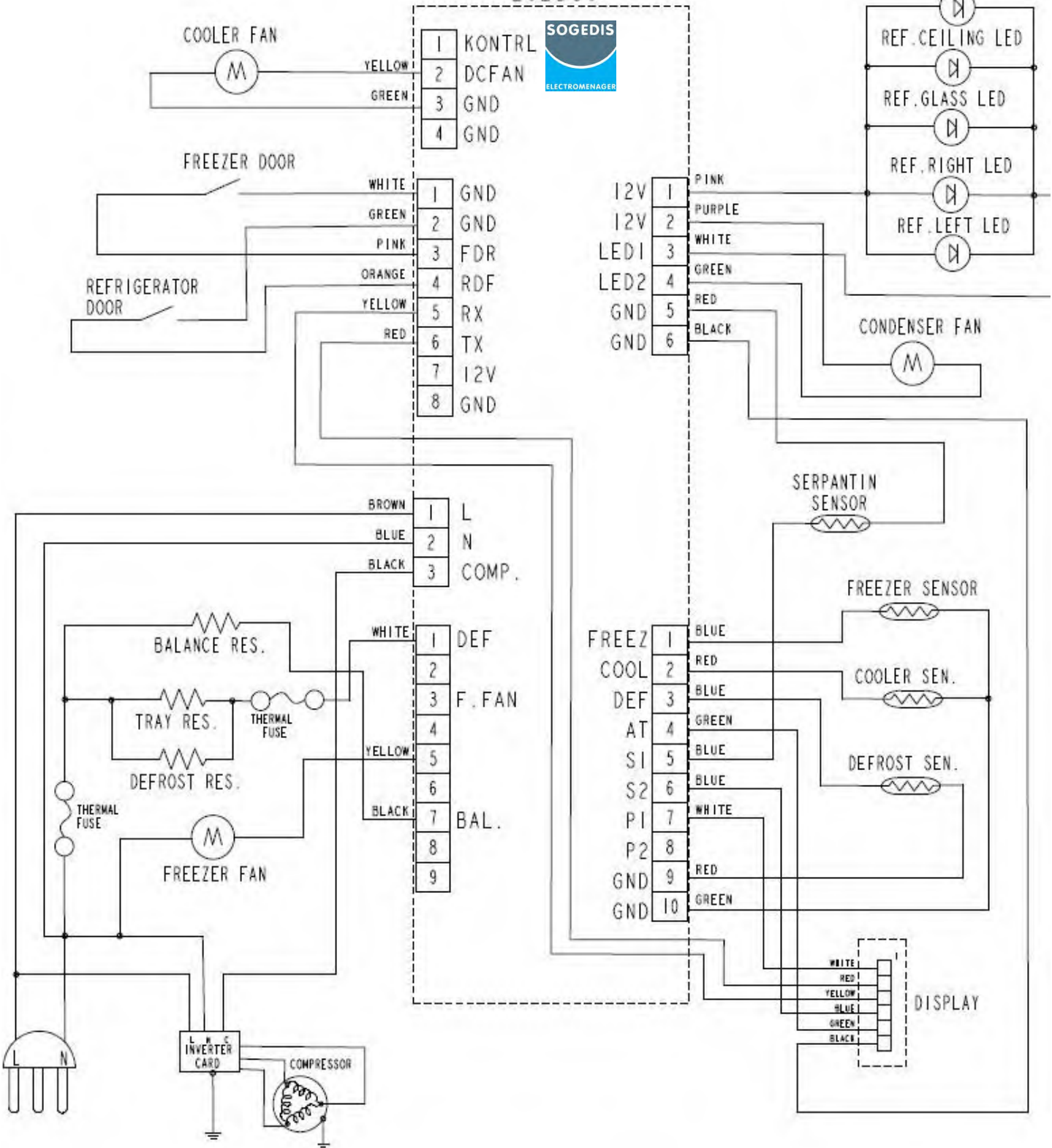


MAINBOARD 20BD39



MAINBOARD

BD67



- BLUE: 5V
- BROWN: VCC
- WHITE: AT
- WHITE: 5V

