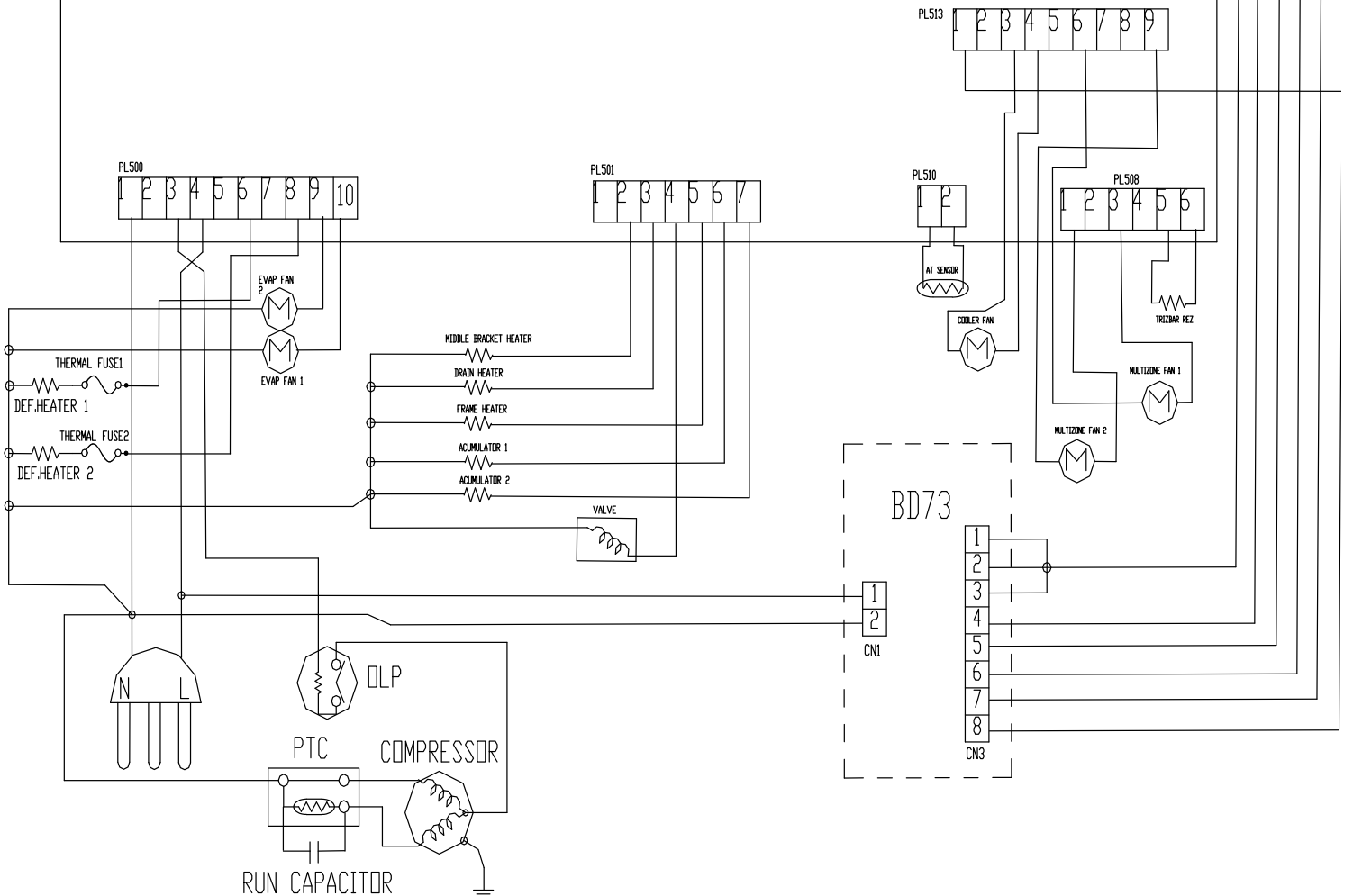
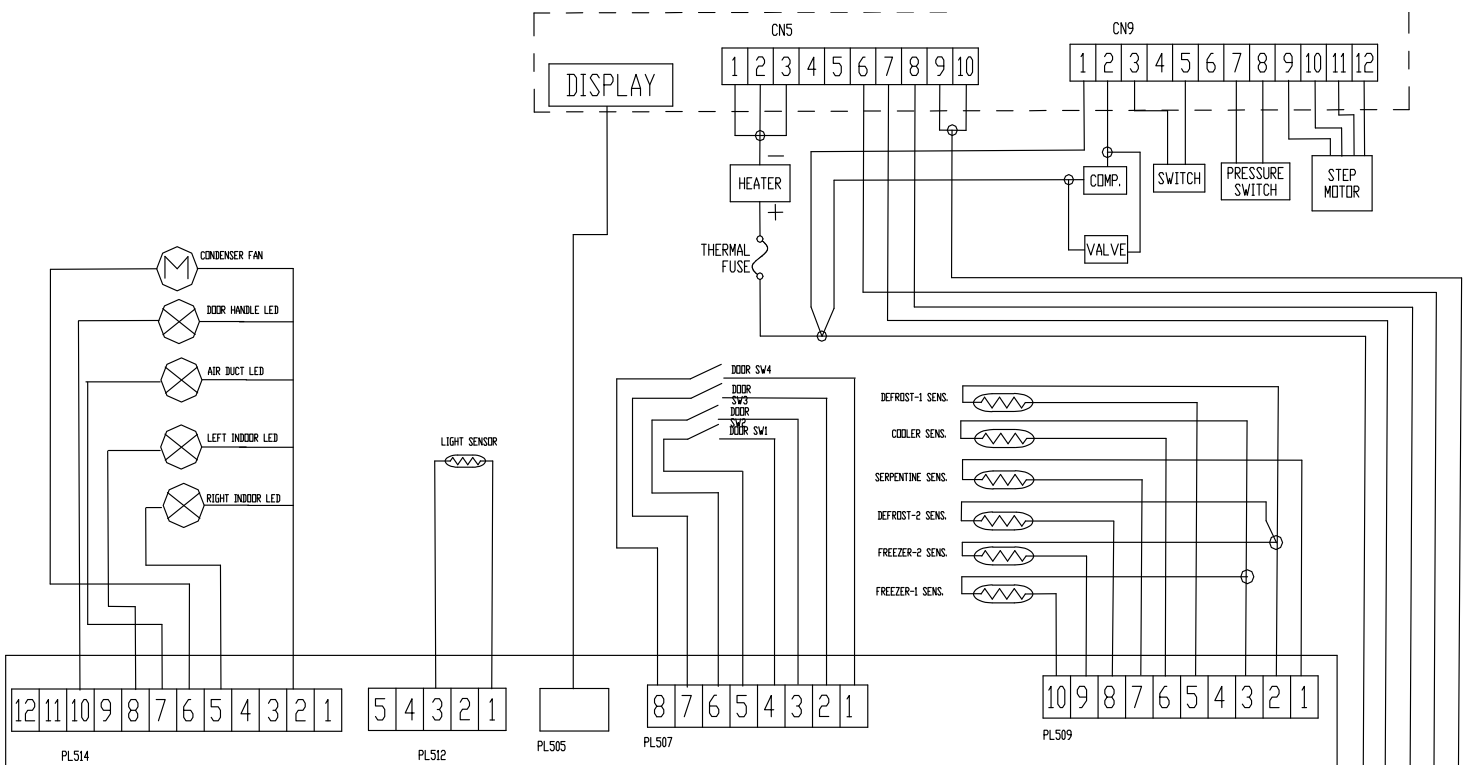


CIRCUIT DIAGRAMME A+

BD10 MAINBOARD





CIRCUIT DIAGRAMME A++

BD10 MAINBOARD

