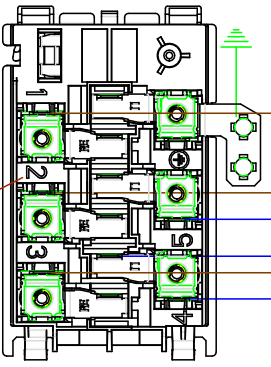
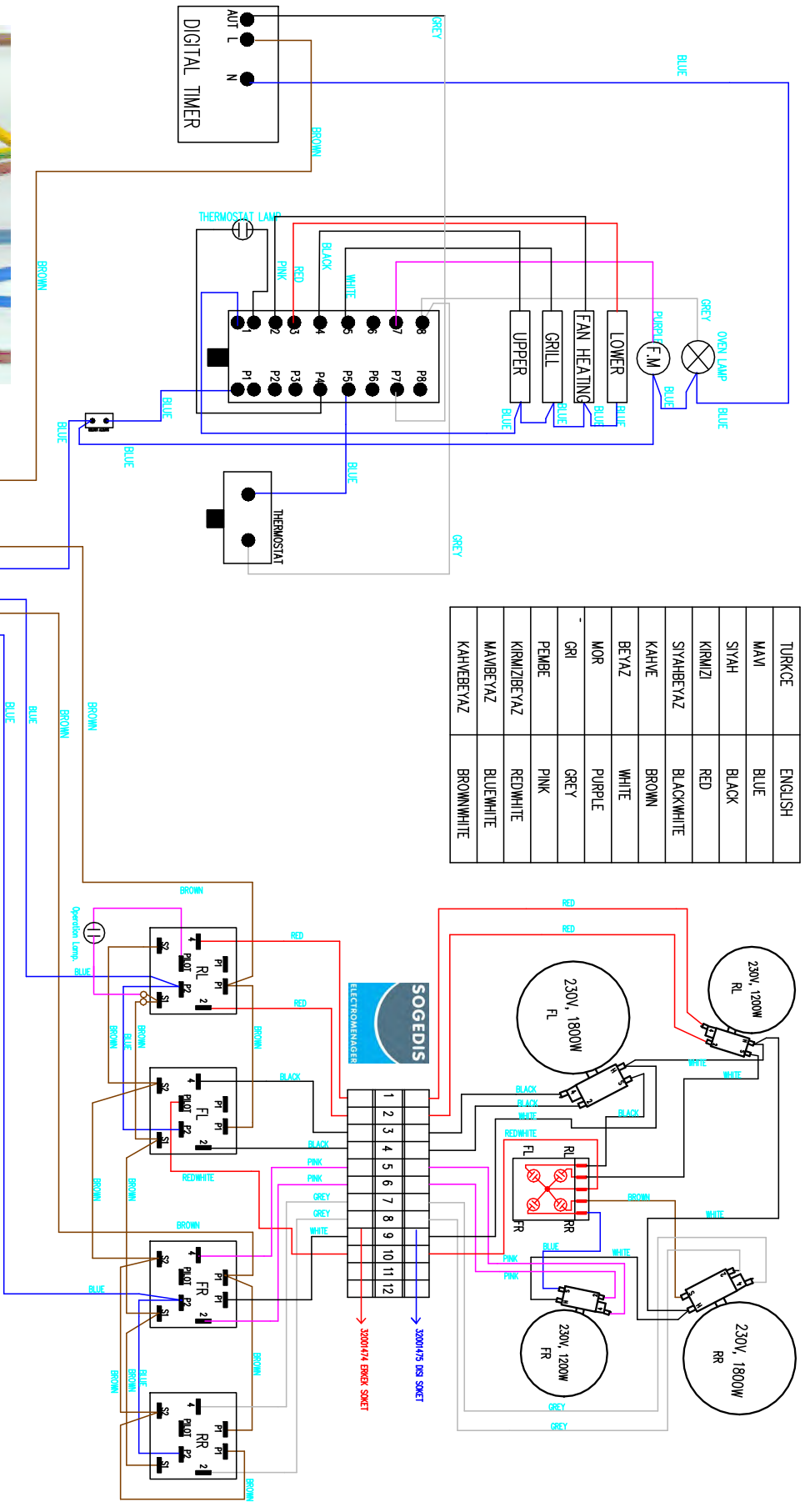


TURKCE	ENGLISH
MAVI	BLUE
SIYAH	BLACK
KIRMIZI	RED
SIYAHBEYAZ	BLACK/WHITE
KAHVE	BROWN
BEYAZ	WHITE
MOR	PURPLE
GRI	GREY
PEMBE	PINK
KIRMIZIBEYAZ	RED/WHITE
MAVIBEYAZ	BLUE/WHITE
KAHVEBEYAZ	BROWN/WHITE



The phase and neutrals are interchangeable in themselves, sequence doesn't matter as long as phase and neutrals doesn't mixed