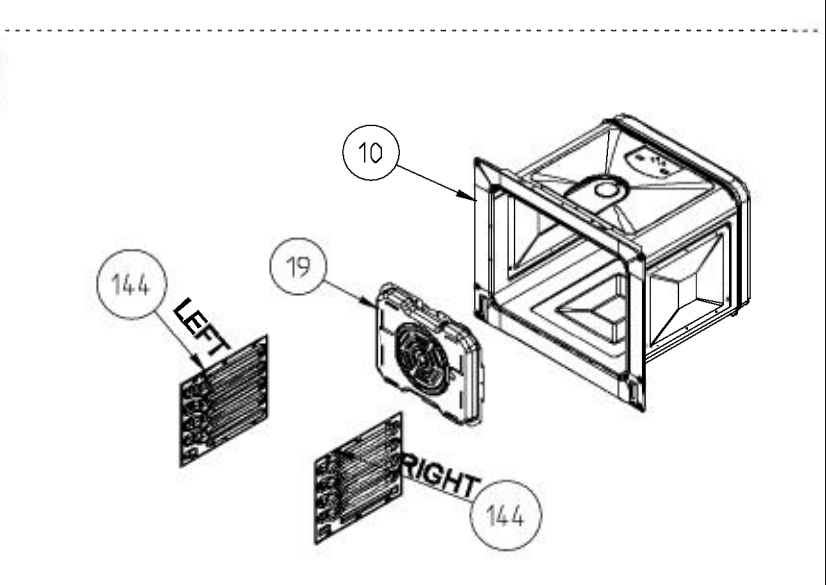
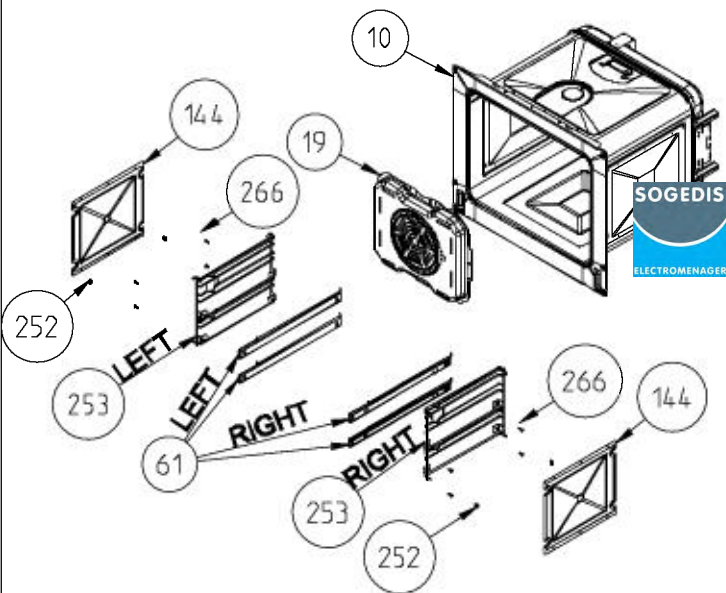


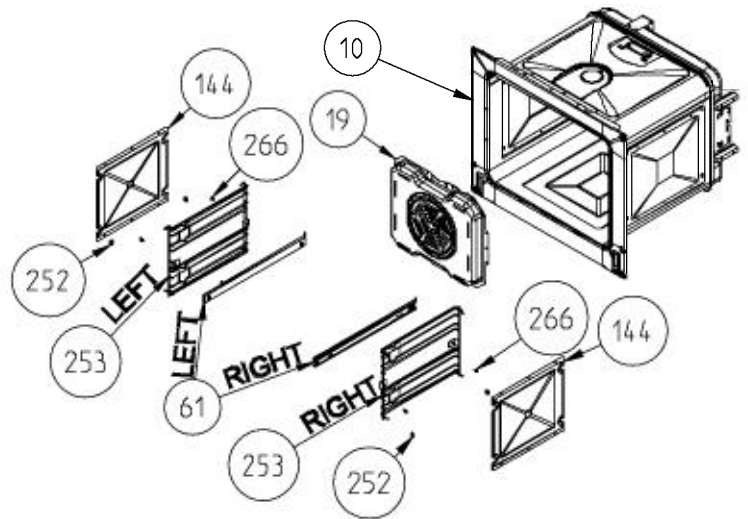
WIRE SHELF CAVITY ASSEMBLY WITH / WITHOUT CATALYTIC PANEL (OPTIONAL)



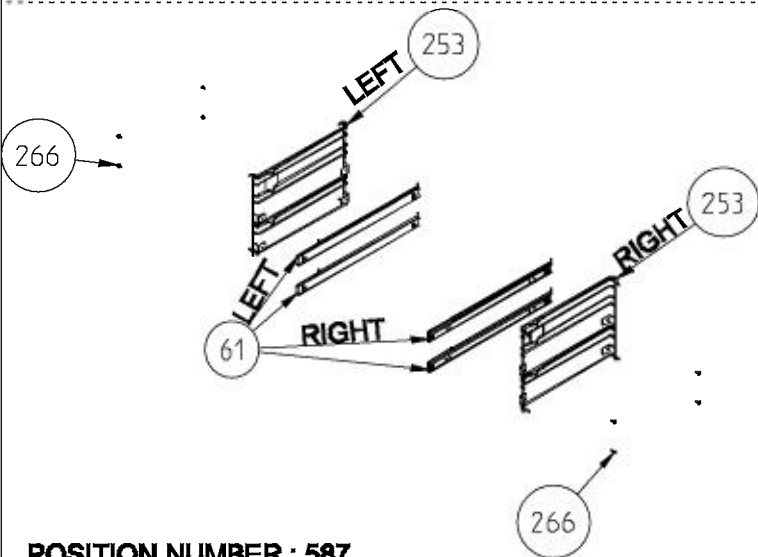
CAVITY ASSEMBLY WITH CATALYTIC SHELF (OPTIONAL)



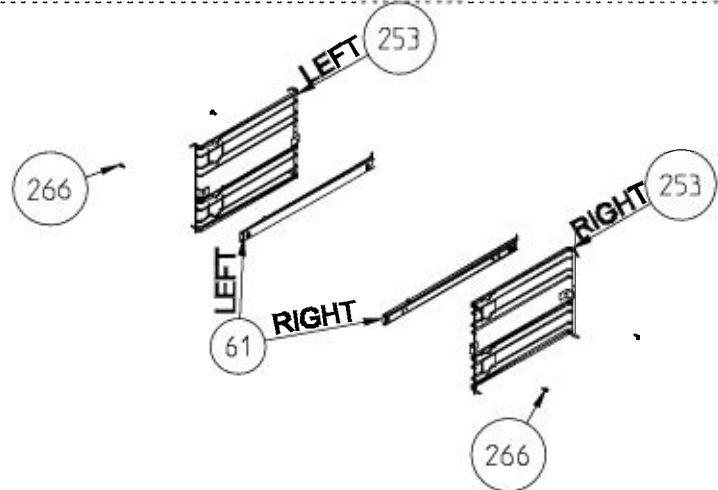
**WIRE SHELF CAVITY ASSEMBLY
WITH/ WITHOUT CATALYTIC PANEL
OPTIONAL:DOUBLE TELESCOPIC RAIL (R / L)**



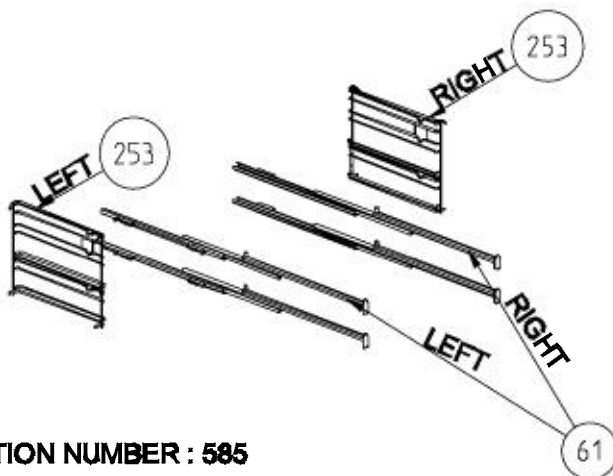
**WIRE SHELF CAVITY ASSEMBLY
WITH/ WITHOUT CATALYTIC PANEL
OPTIONAL:TELESCOPIC RAIL (R / L)**



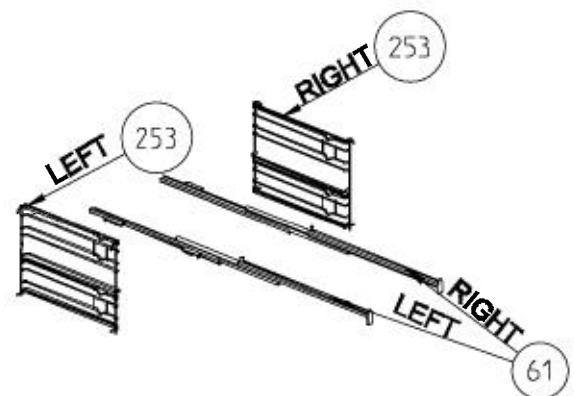
**POSITION NUMBER : 587
WIRE SHELF (SINGLE EXTENSION)
OPTIONAL:DOUBLE TELESCOPIC RAIL (R / L) GROUP**



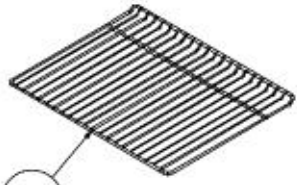
**POSITION NUMBER : 588
WIRE SHELF (SINGLE EXTENSION)
OPTIONAL: SINGLE TELESCOPIC RAIL (R / L) GROUP**



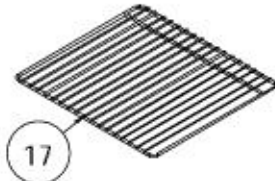
**POSITION NUMBER : 585
WIRE SHELF (FULL EXTENSION)
OPTIONAL:DOUBLE TELESCOPIC RAIL (R / L) GROUP**



**POSITION NUMBER: 586
WIRE SHELF (FULL EXTENSION)
OPTIONAL: SINGLE TELESCOPIC RAIL (R / L) GROUP**



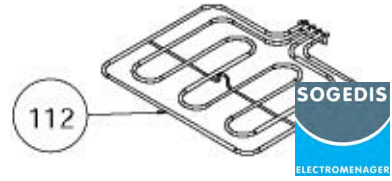
LOCKED



17

W. TELESCOPIC RAIL

GRID (OPTIONAL)



112

TOP AND GRILL HEATING ELEMENT (OPTIONAL)



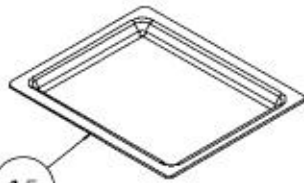
15

DEEP



15

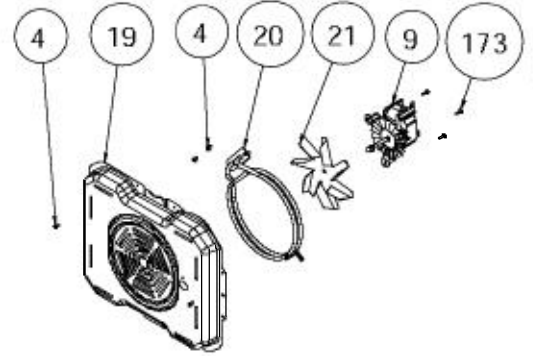
SHALLOW



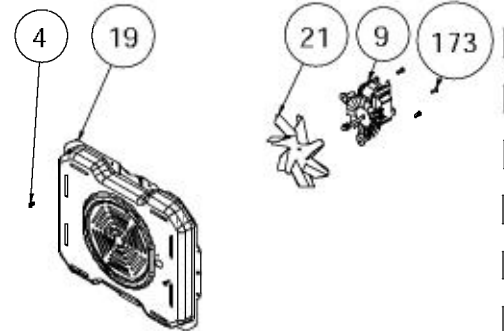
15

GLASS

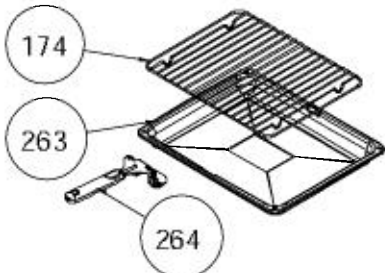
TRAYS (OPTIONAL)



RING HEATING ELEMENT WITH FAN (OPTIONAL)



(FAN COVER/ FAN IMPELLER(6 WINGS) / FAN MOTOR) (OPTIONAL)

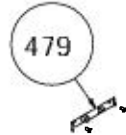


174

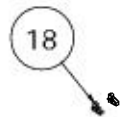
263

264

GRILL PAN AND HANDLE SET (TRAY SET FOR GRILL) - POSITION NO 265 (OPTIONAL)



479



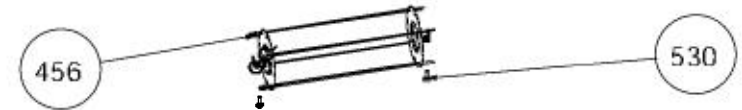
18

THERMST BULB HOLDER/BACKET



116

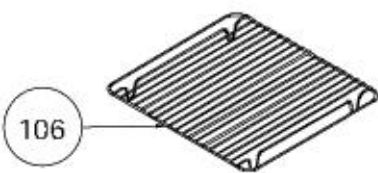
TURNSPIT SKEWER



456

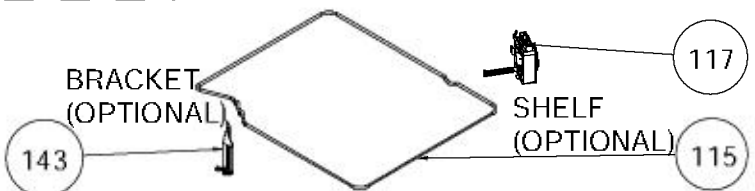
530

SHISH KEBAB ACCESSORY (OPTIONAL)



106

DEEP TRAY GRID (OPTIONAL)



143

BRACKET (OPTIONAL)

117

SHELF (OPTIONAL)

117

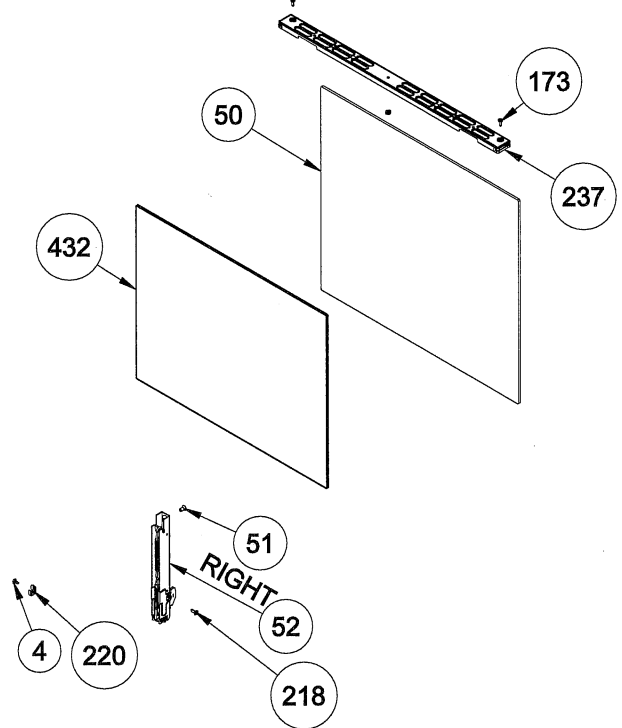
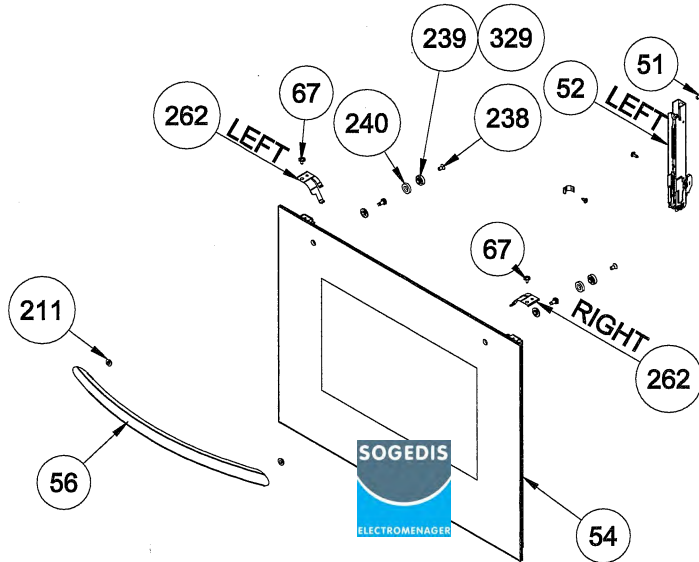
115

TURNSPIT (OPTIONAL)

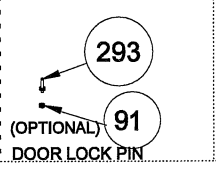
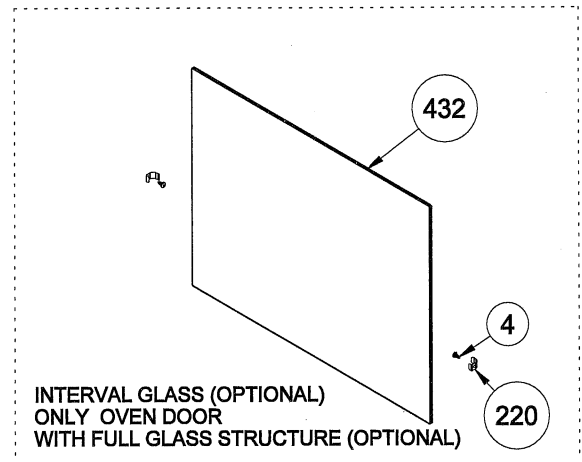
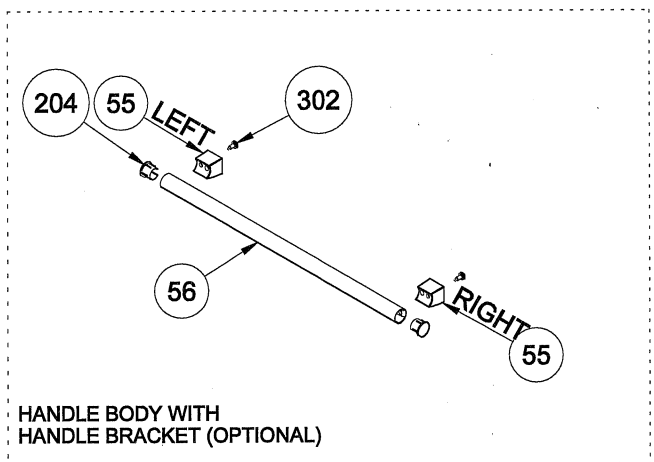
EXPLODED VIEW - CAVITY ASSEMBLY

OVEN DOOR ASSEMBLY EXPLODED VIEW (OPTIONAL)

POSITION
NUMBER :377
(DOOR)

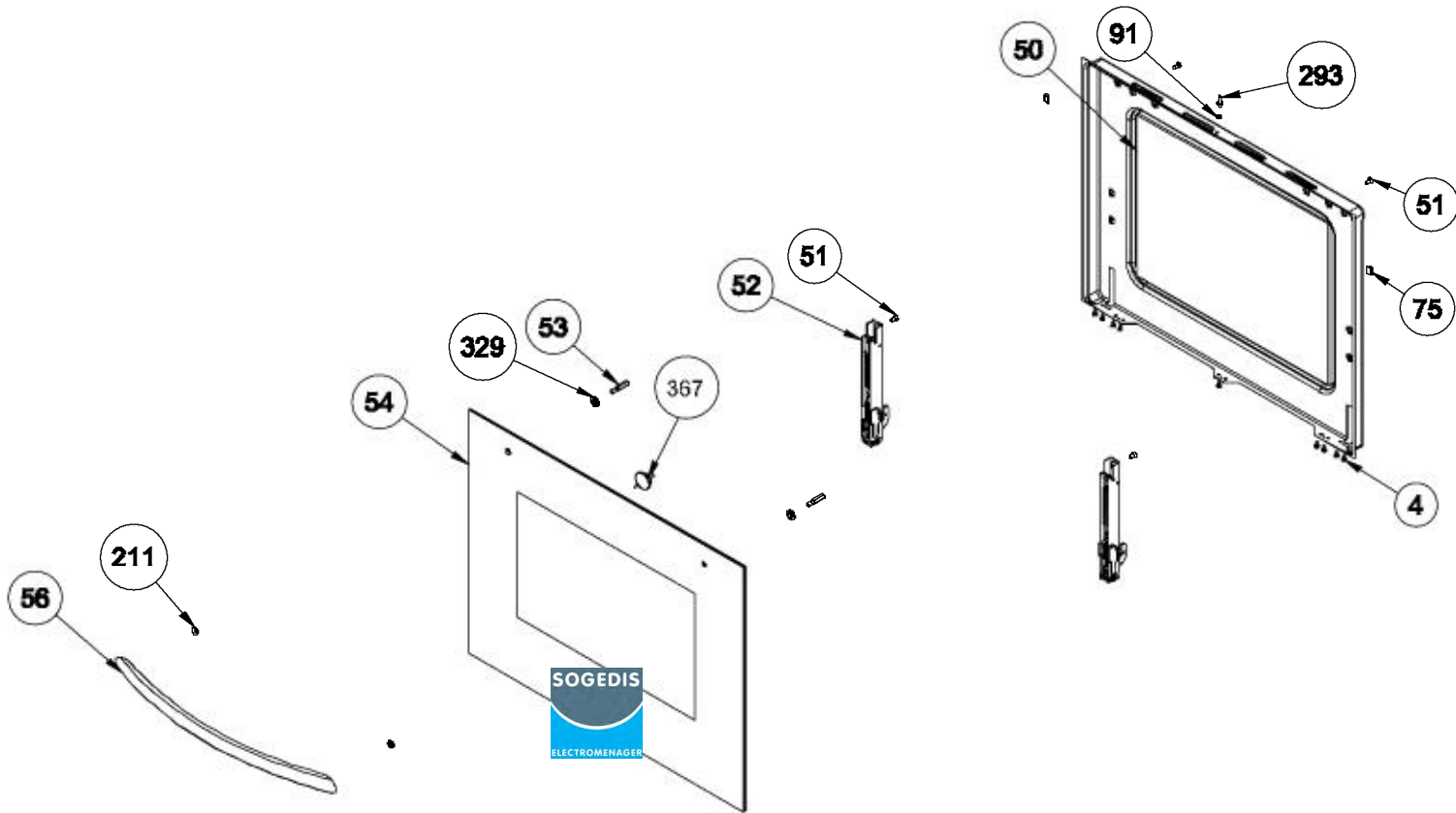


Note :
220,239,240,432 is for Removable Third Glass Versions
262,67 is for Removable Glass Versions



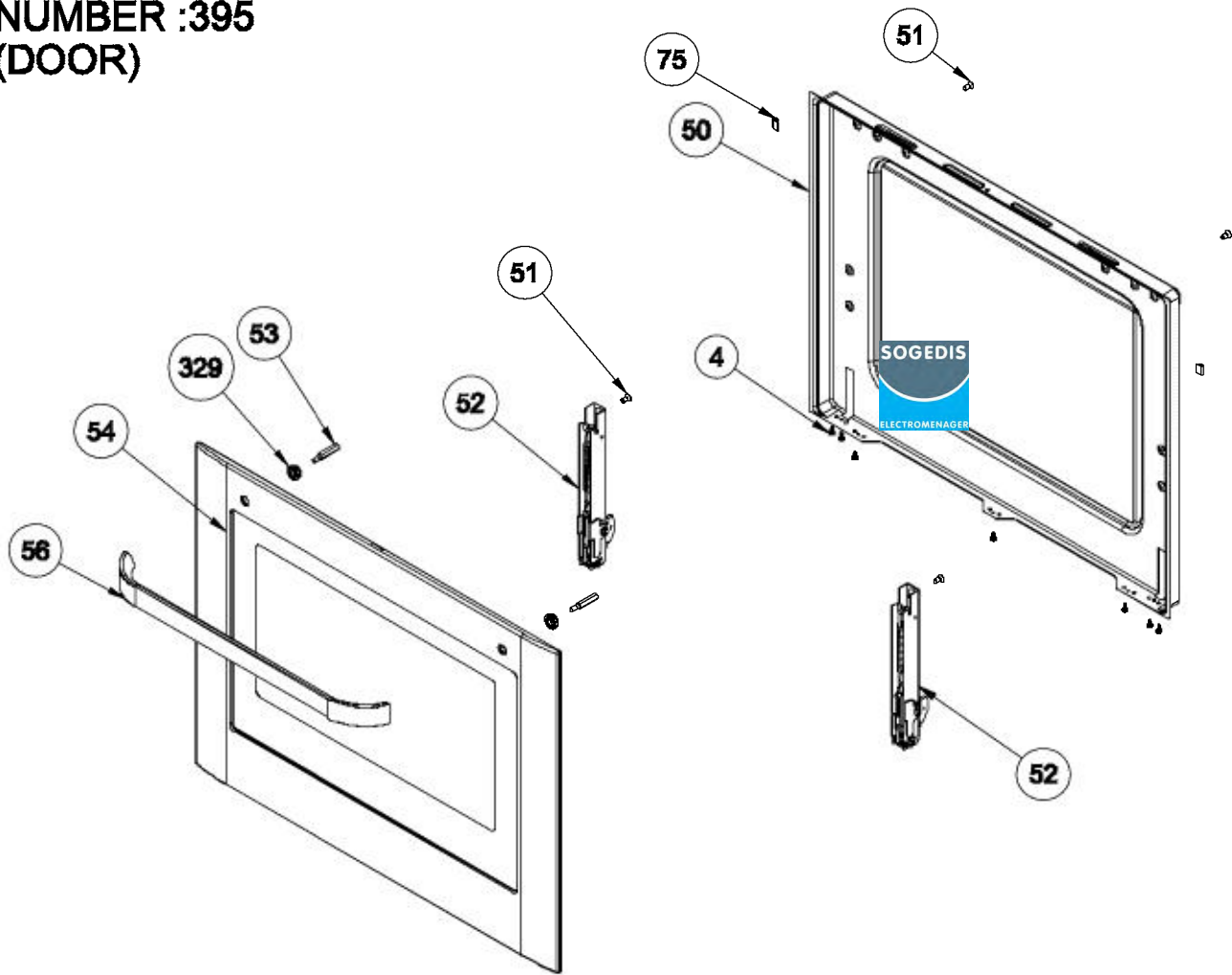
**SOLID TYPE OVEN DOOR ASSEMBLY EXPLODED VIEW
(FRONT VIEW OF GLASS)
(OPTIONAL)**

**POSITION
NUMBER :376
(DOOR)**

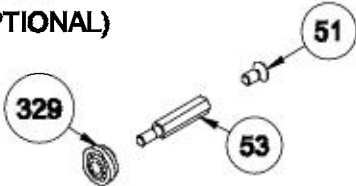


**SOLID TYPE OVEN DOOR ASSEMBLY EXPLODED VIEW
(FRONT VIEW OF METAL WITH GLASS) (OPTIONAL)**

**POSITION
NUMBER :395
(DOOR)**

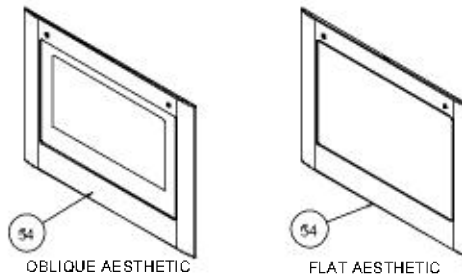


(OPTIONAL)



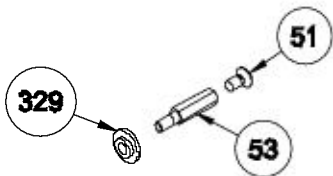
TYPE 1

**HANDLE ASSEMBLY GROUP
POSITION NUMBER : 49
(OPTIONAL)**



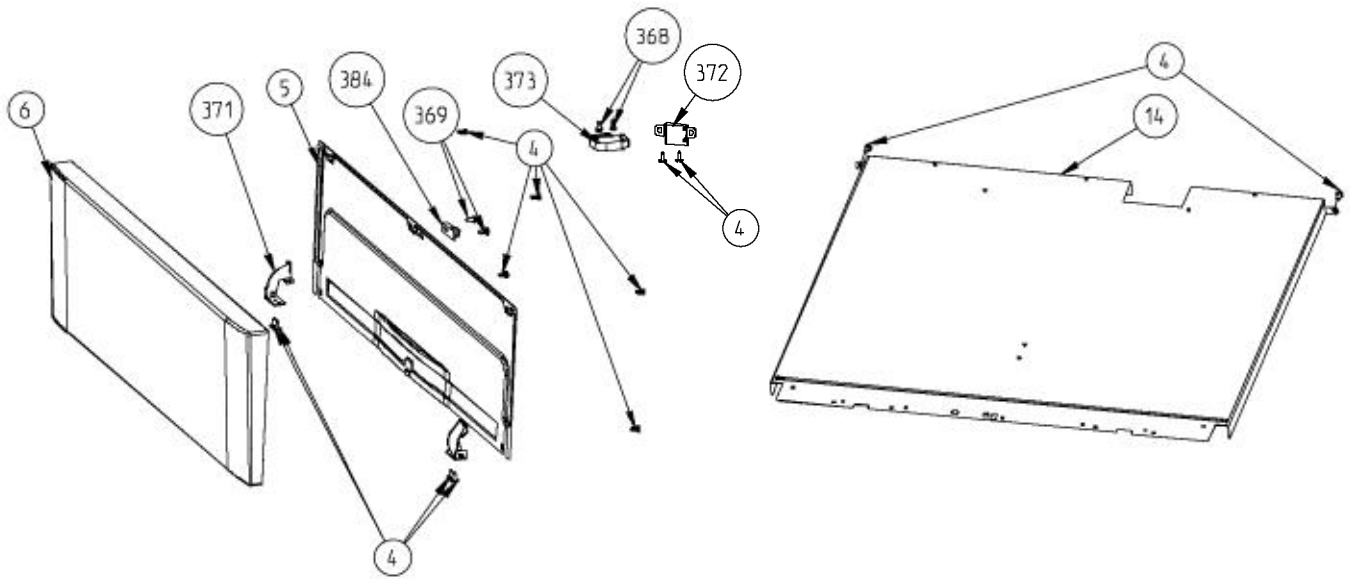
SOLID TYPE - POSITION NO 54 (OPTIONAL)

(OPTIONAL)

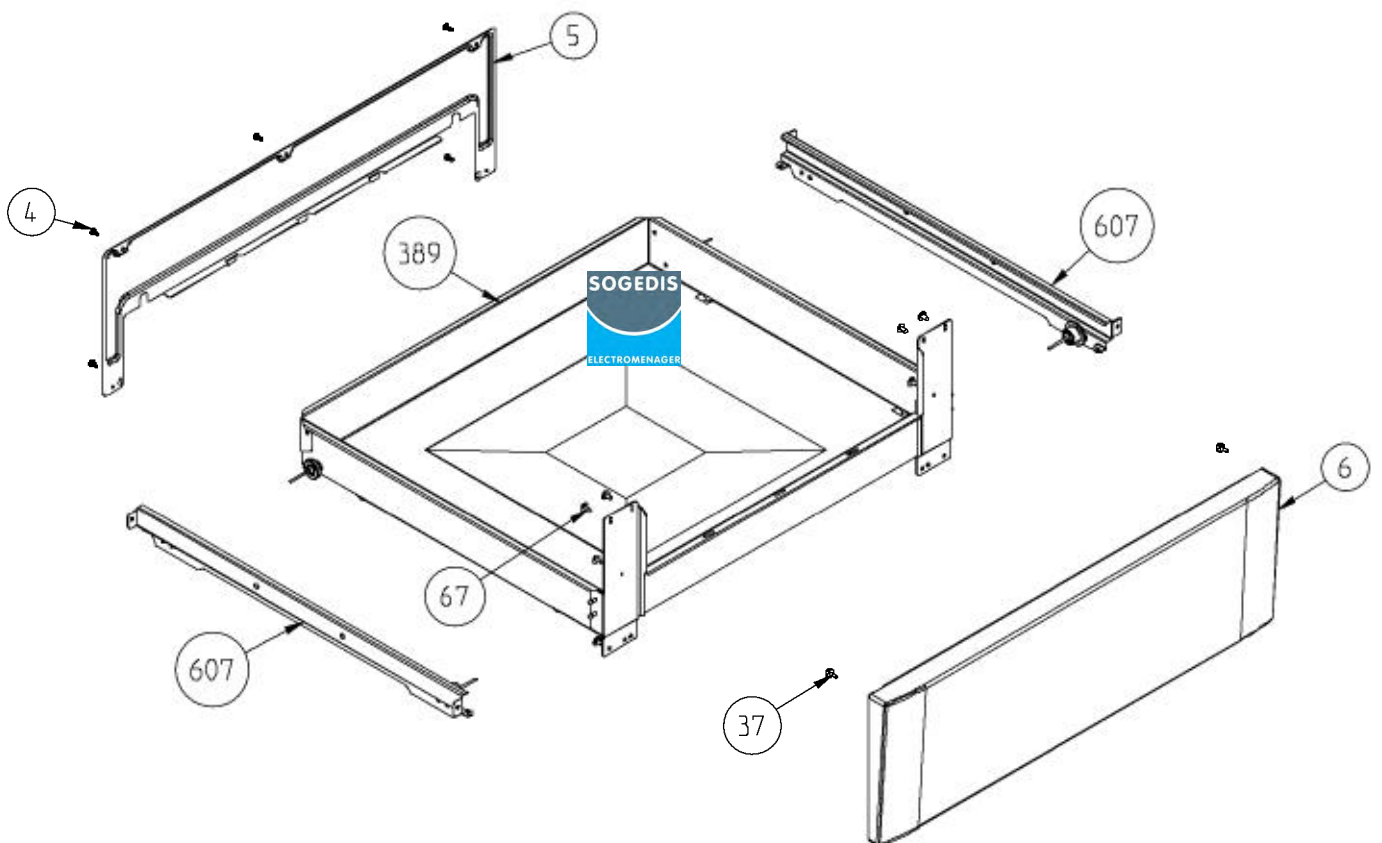


TYPE 2

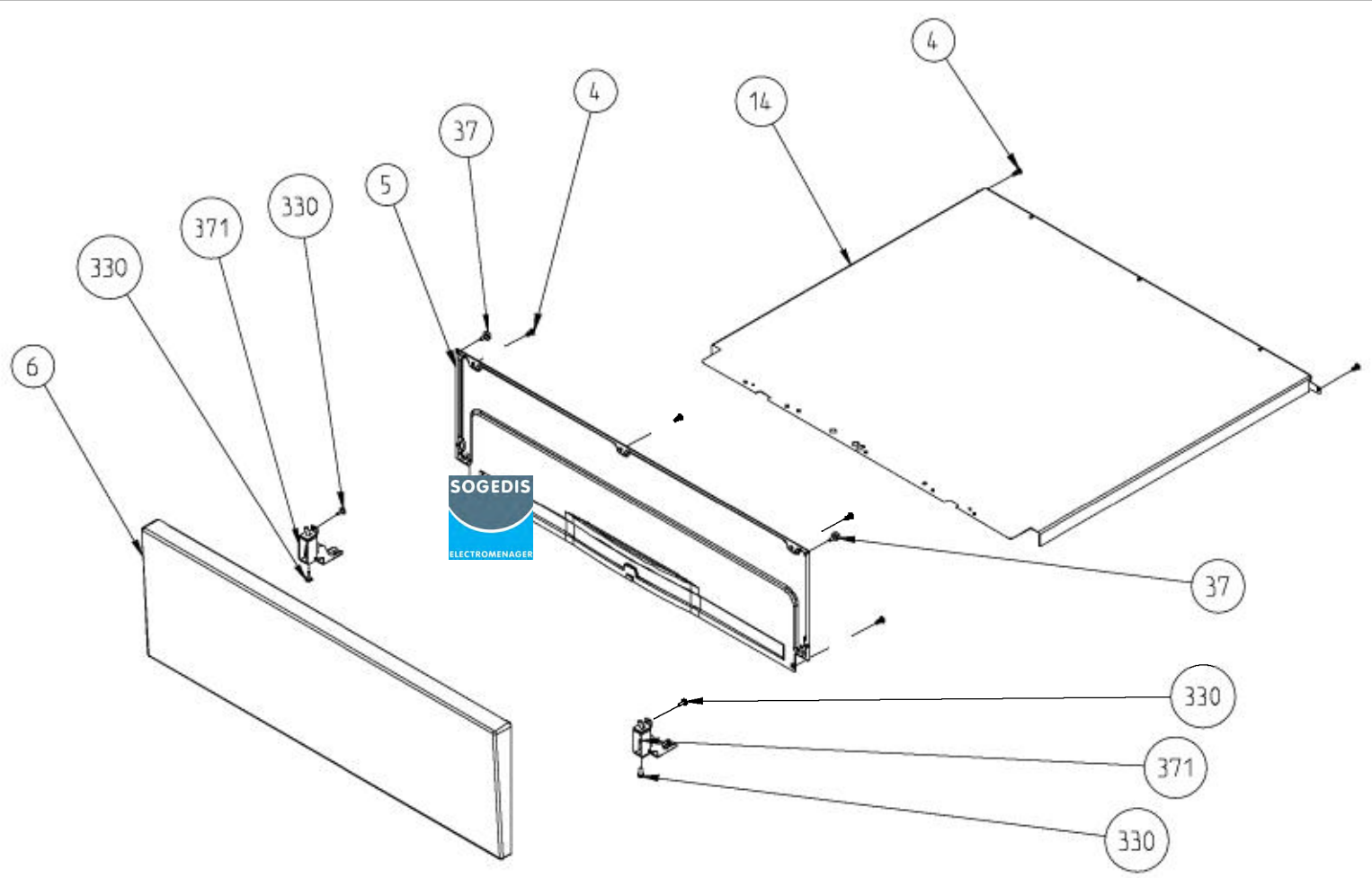
**HANDLE ASSEMBLY GROUP
POSITION NUMBER : 49
(OPTIONAL)**



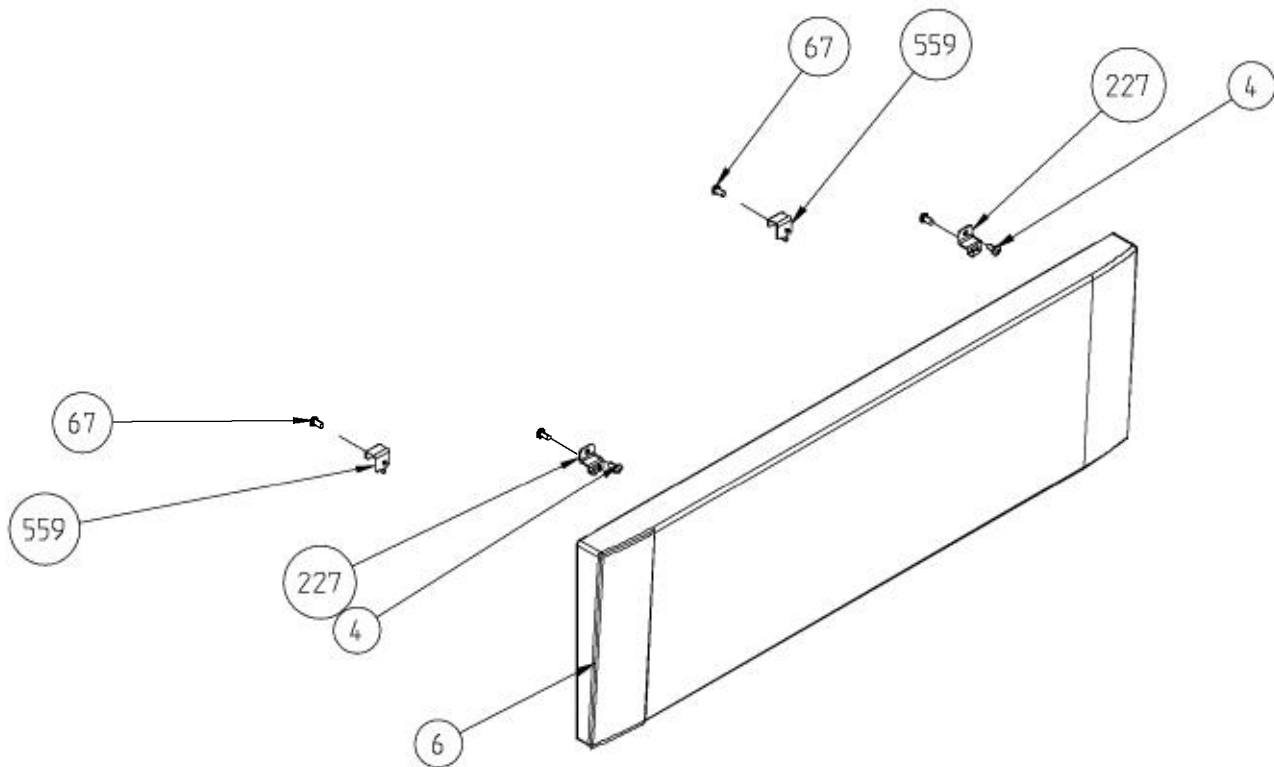
PUSH PULL FLAP DRAWER ASSEMBLY (OPTIONAL)



4WG DRAWER ASSEMBLY (OPTIONAL)



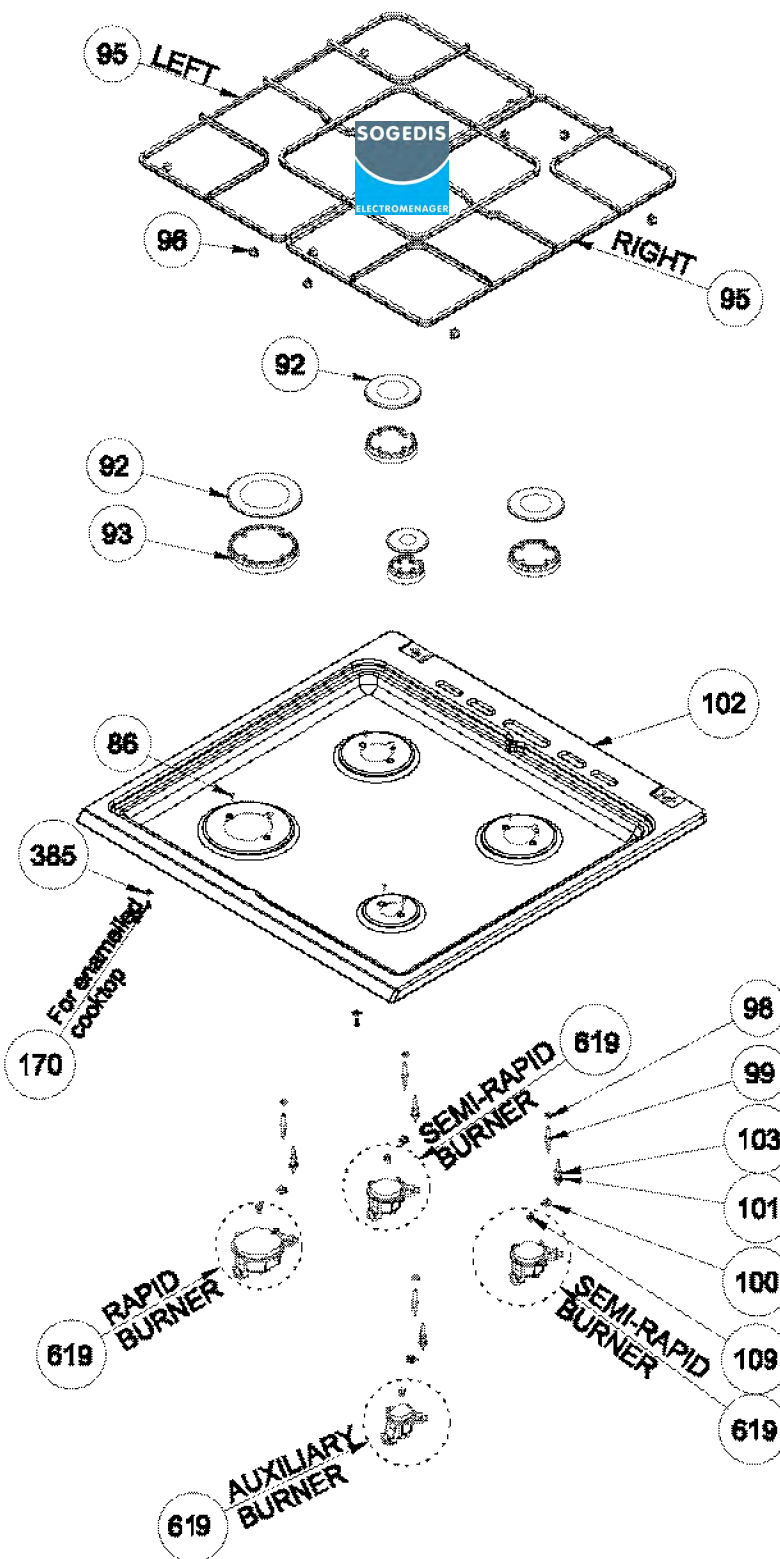
YNTB FLAP DRAWER ASSEMBLY



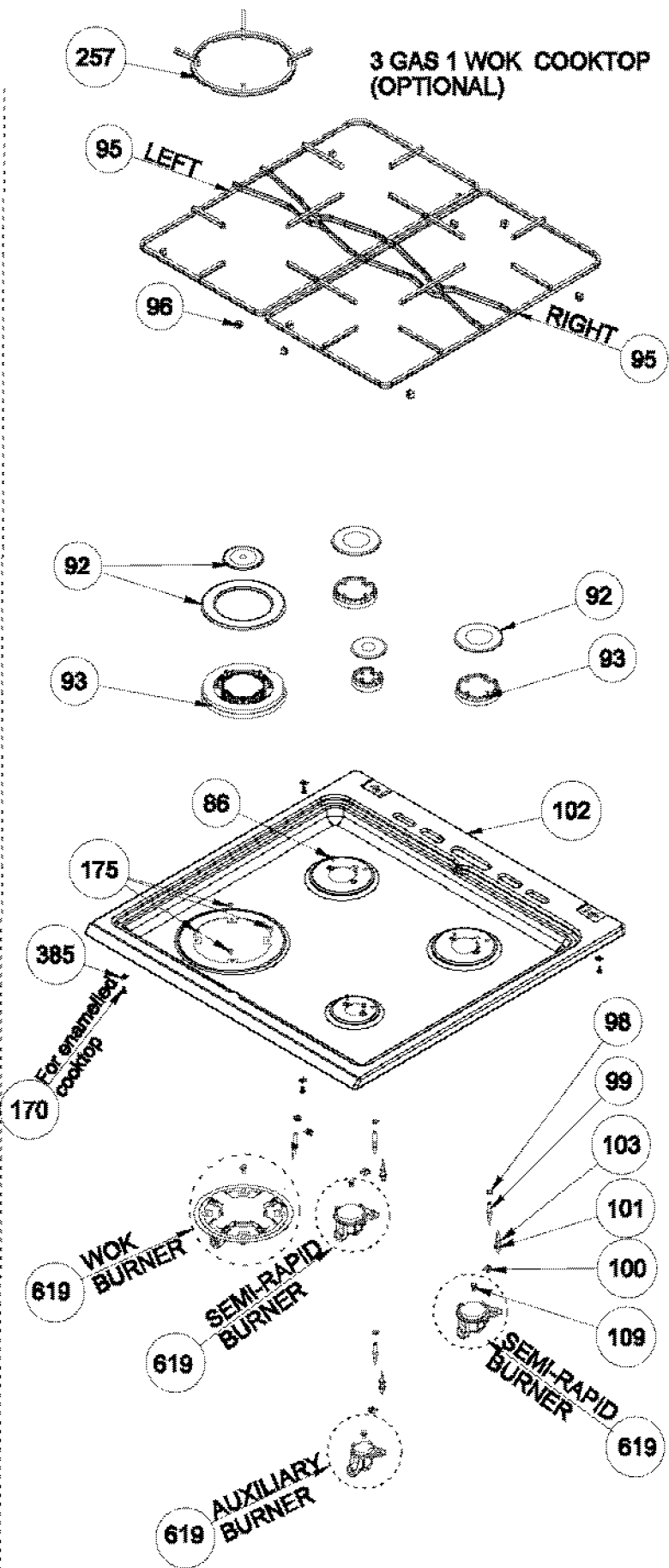
**FIXED DRAWER ASSEMBLY
(OPTIONAL)**

FREE STANDING COOKTOP VERSIONS

4 GAS COOKTOP (OPTIONAL)



3 GAS 1 WOK COOKTOP (OPTIONAL)

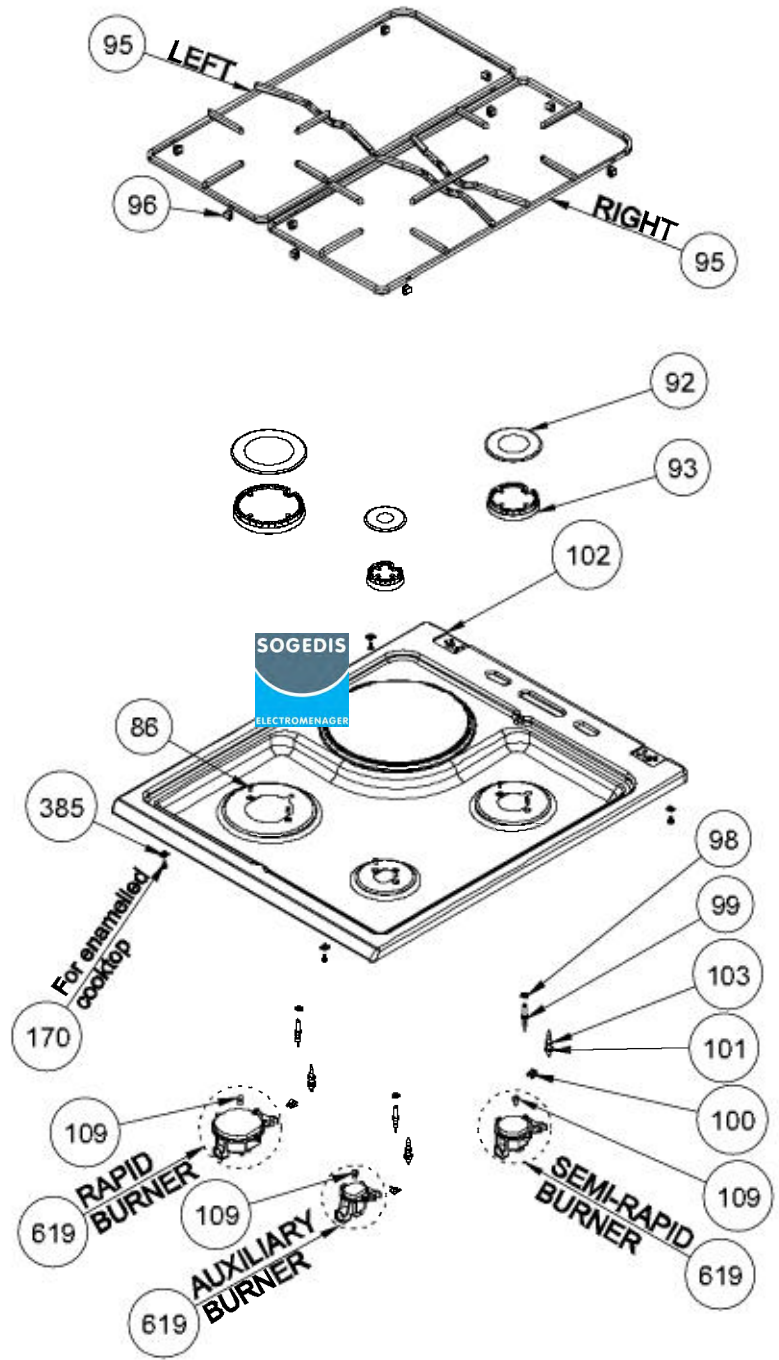
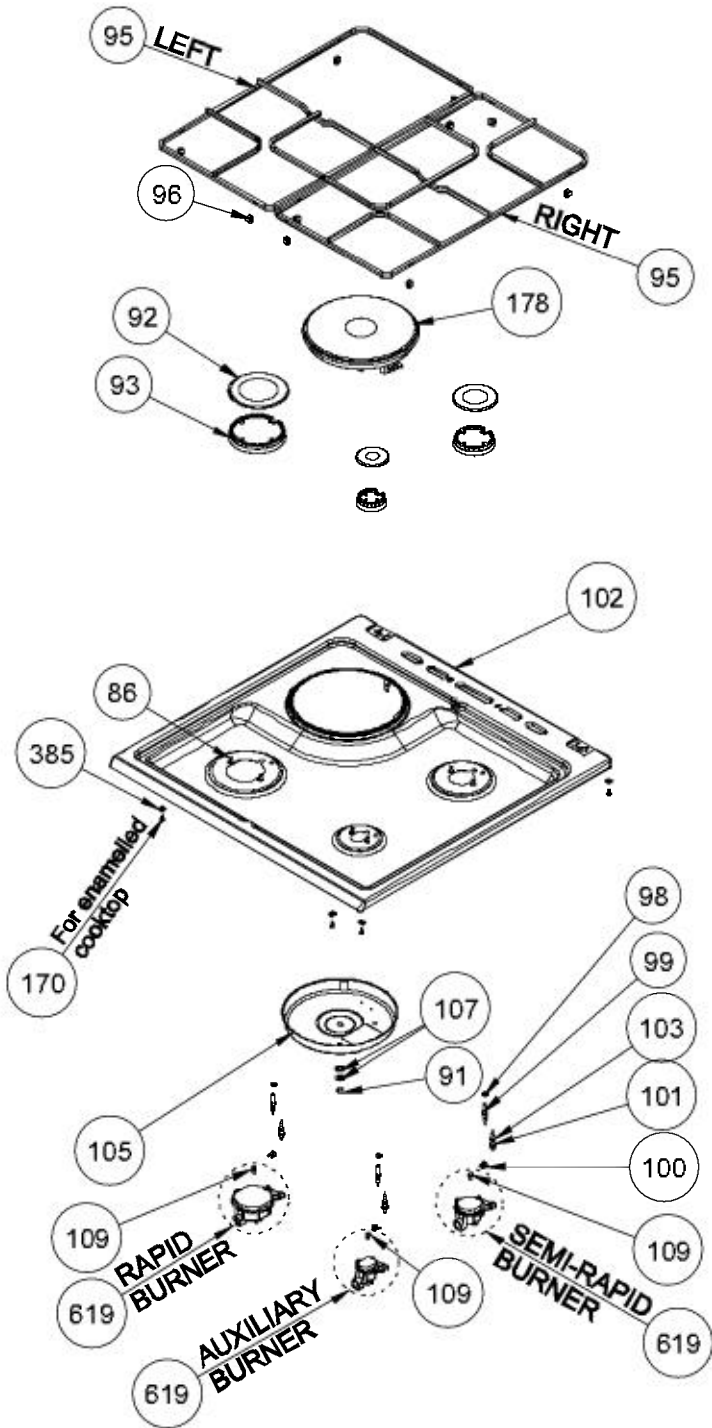


The exploded views given in this document are generic. They include all possible versions of the product. For specific part codes please refer to the bom list of regarding model.

FREE STANDING COOKTOP VERSIONS

3 GAS 1 ELECTRIC COOKTOP
(OPTIONAL)

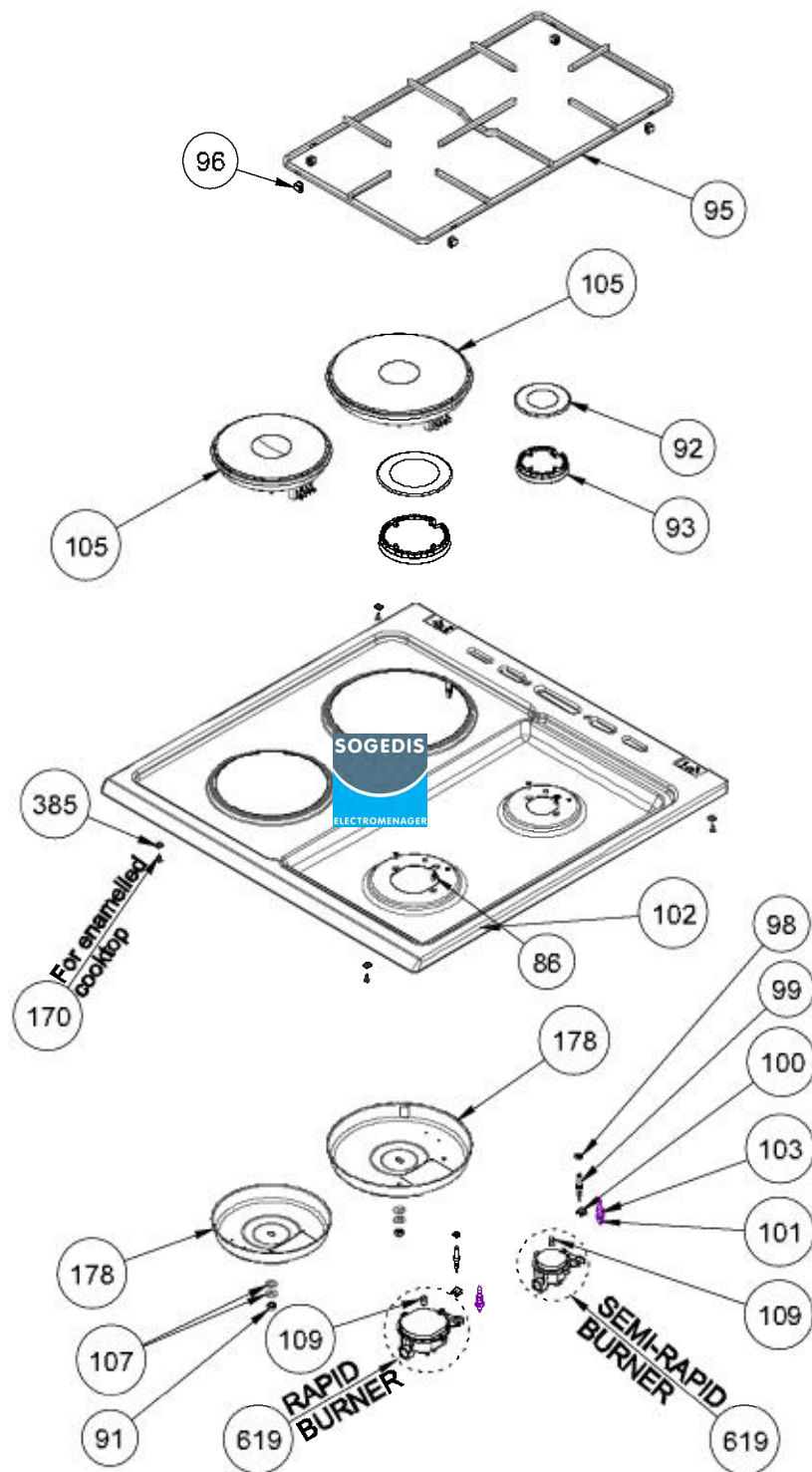
3 GAS COOKTOP
(OPTIONAL)



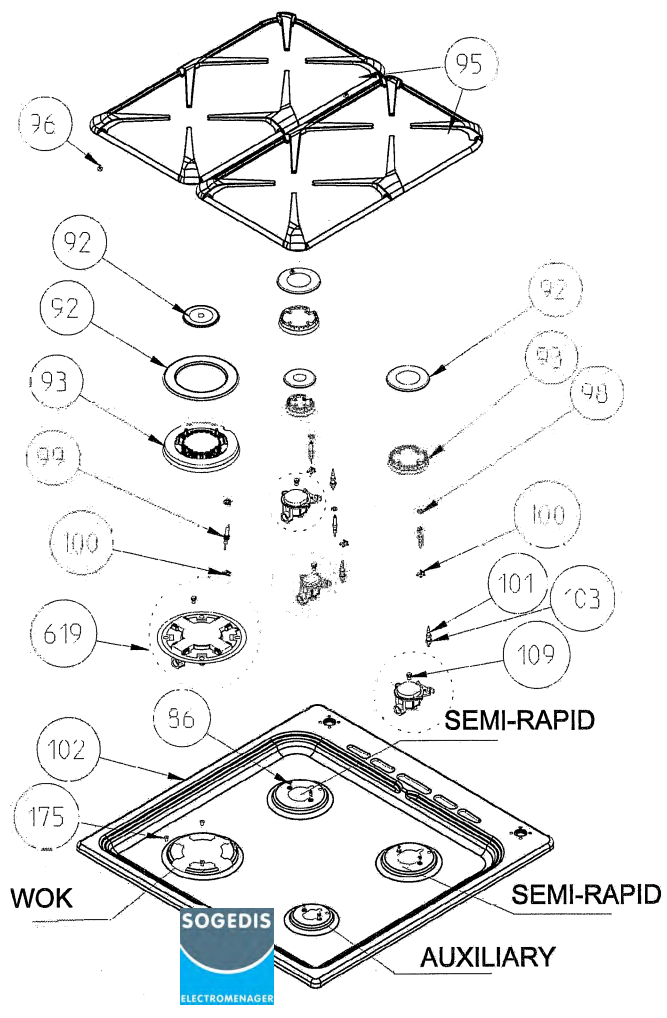
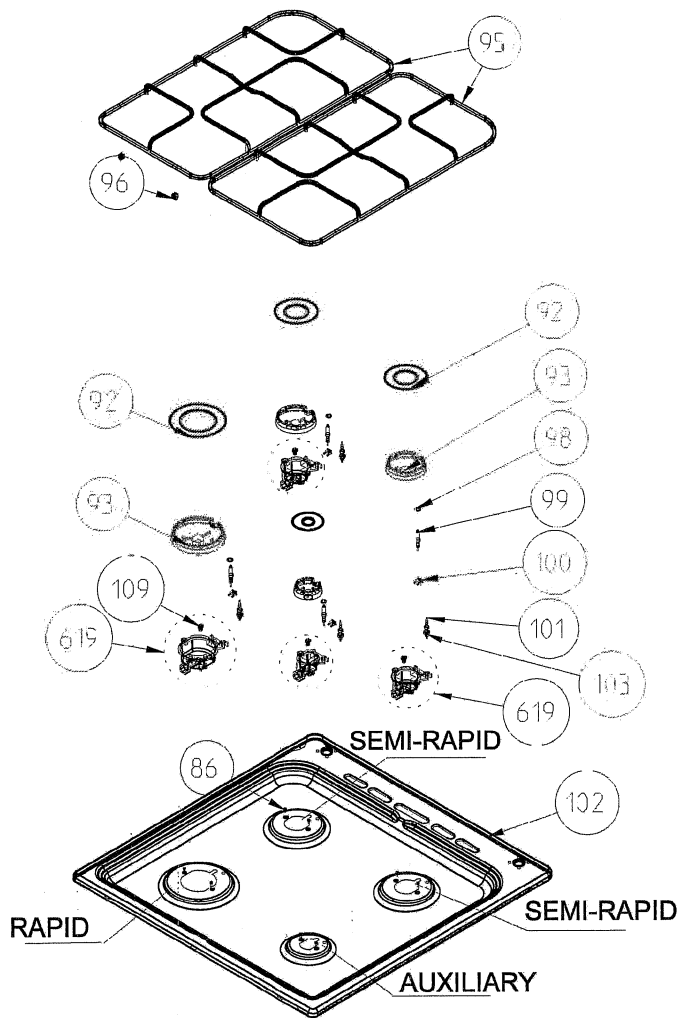
The exploded views given in this document are generic. They include all possible versions of the product. For specific part codes please refer to the bom list of regarding model.

FREE STANDING COOKTOP VERSIONS

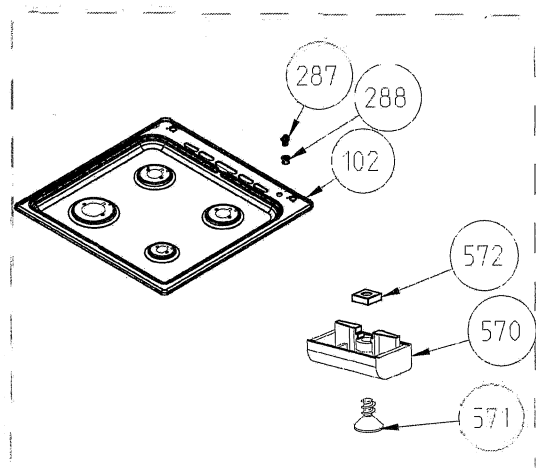
2 GAS 2 ELECTRIC COOKTOP
(OPTIONAL)



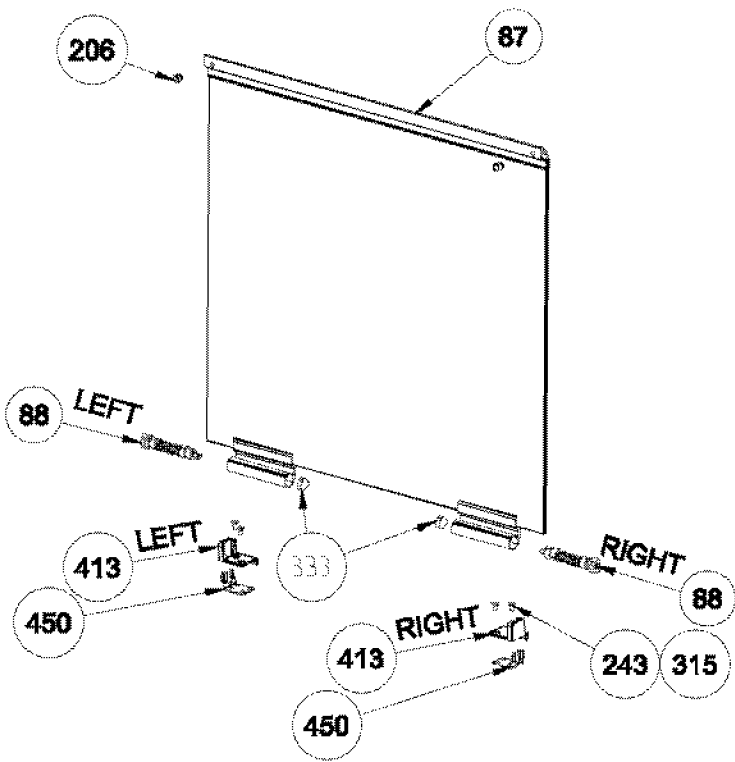
The exploded views given in this document are generic. They include all possible versions of the product. For specific part codes please refer to the bom list of regarding model.



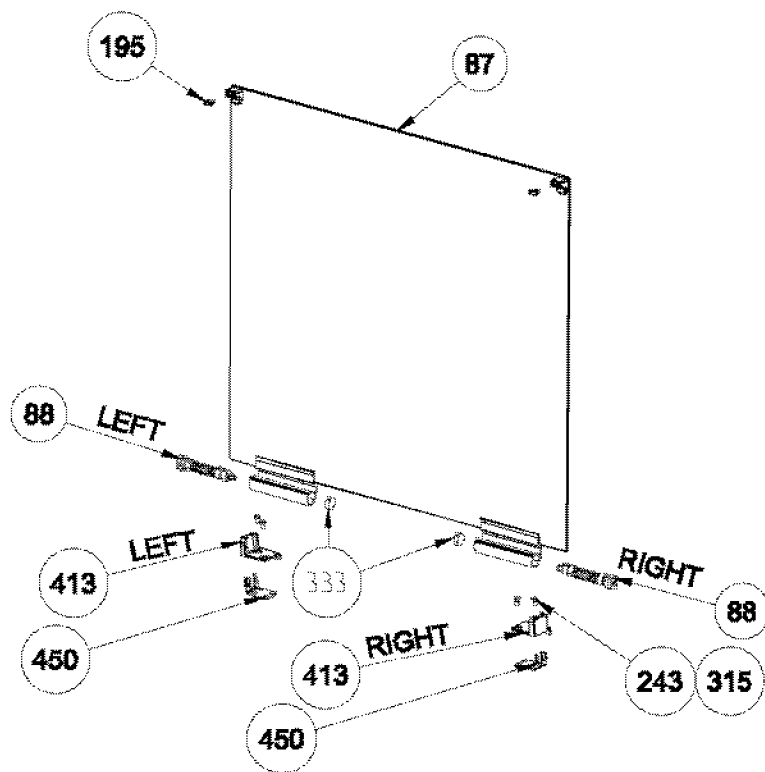
GAS + WOK BURNER



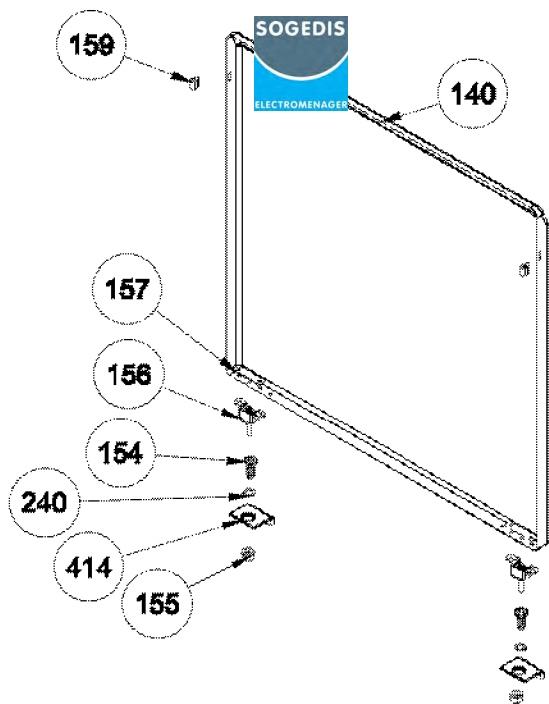
SHUT-OFF VALVE BUTTON & RING (OPTIONAL)



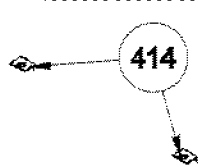
**GLASS LID WITH SHORT PROFILE
(OPTIONAL)**



**GLASS LID WITH BUMPER
(OPTIONAL)**



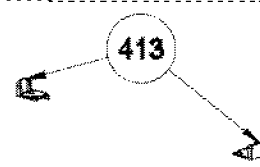
**METAL LID (OPTIONAL)
POSITION NUMBER :153**



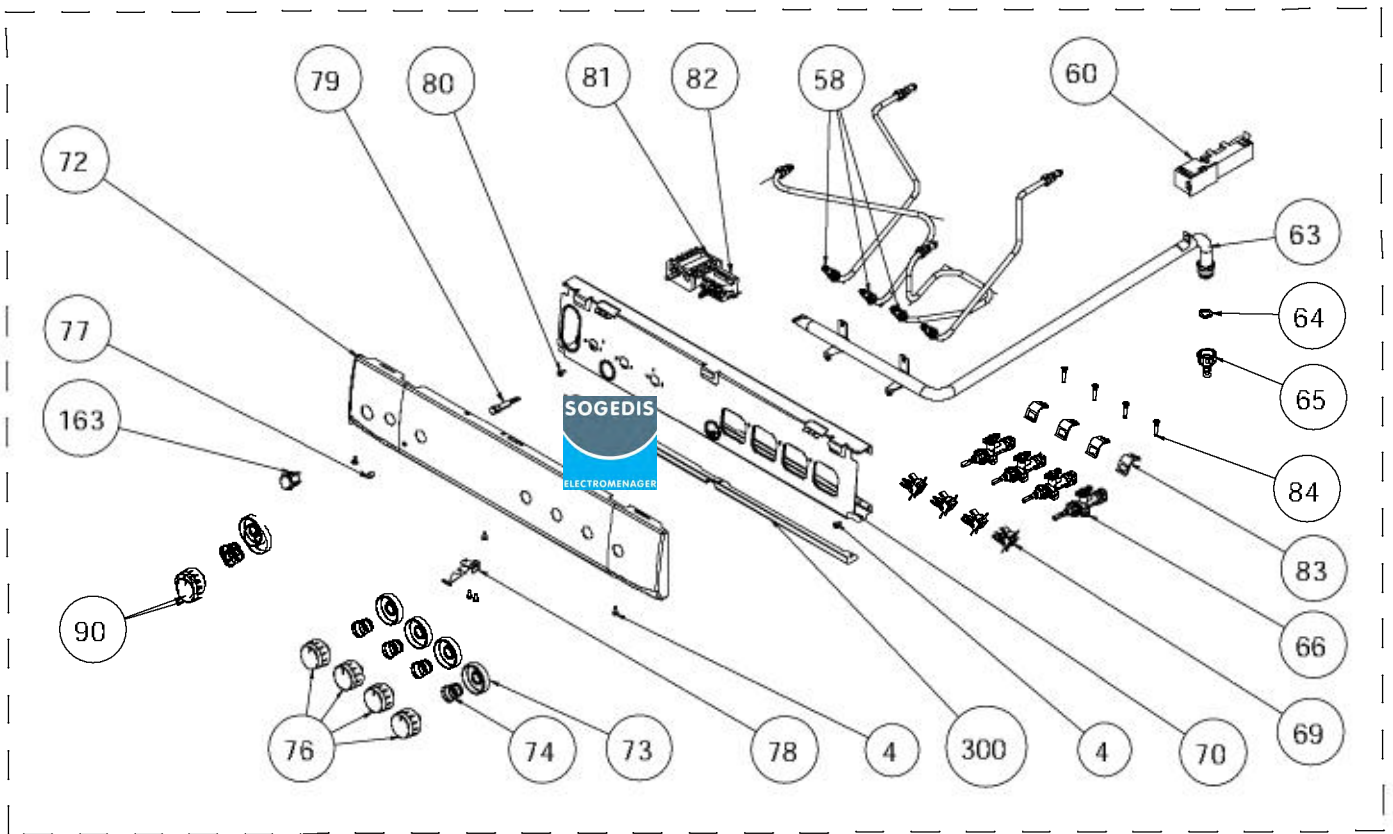
**ONLY FOR
METAL LID**



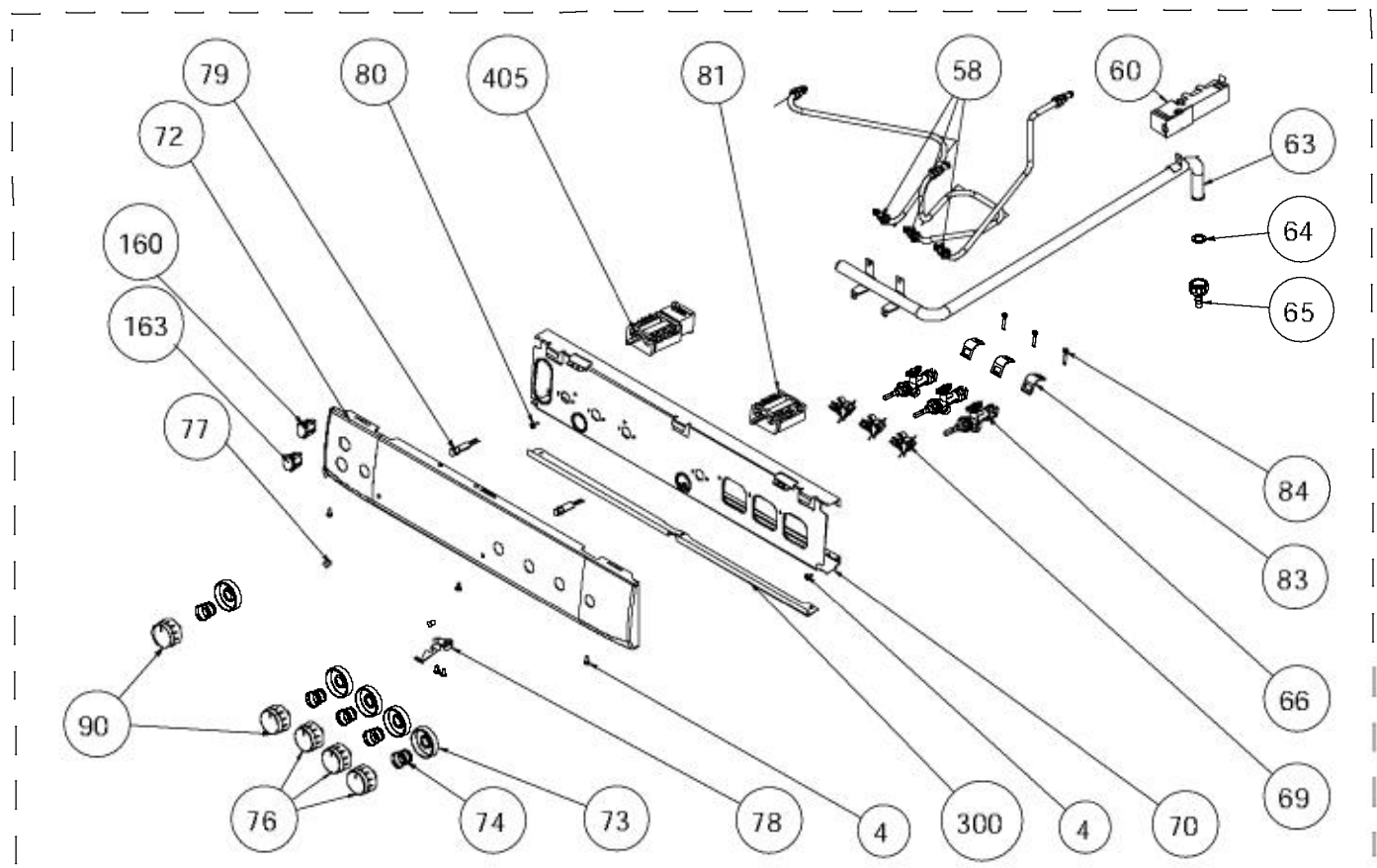
**ONLY FOR
NONE LID**



**ONLY FOR
GLASS LID**

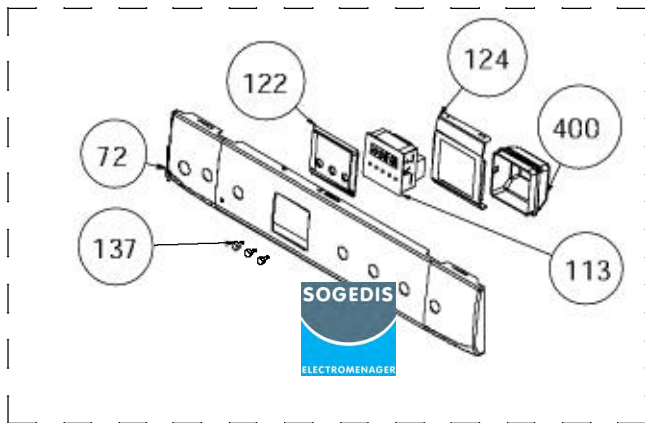


3D- 4GAS - NO TIMER CONTROL PANEL ASSEMBLY

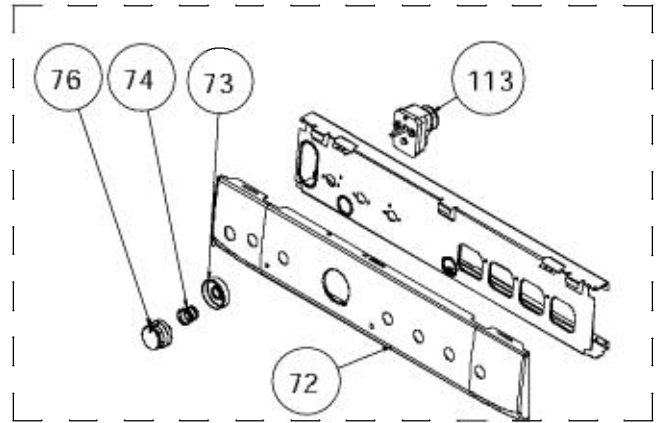


3D- 3GAS+1ELECTRIC - NO TIMER CONTROL PANEL ASSEMBLY

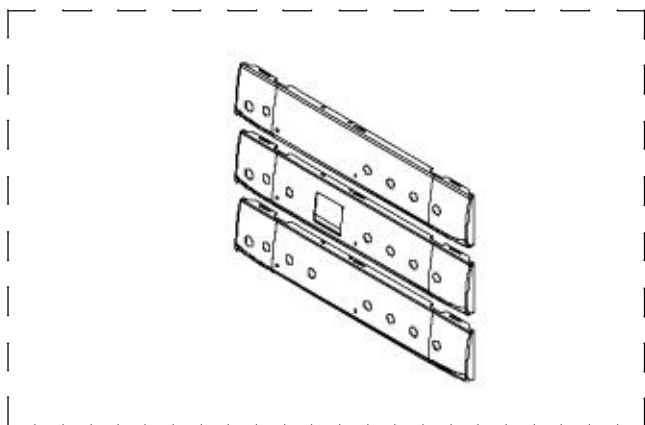
EXPLODED VIEW - CONTROL PANEL ASSEMBLY



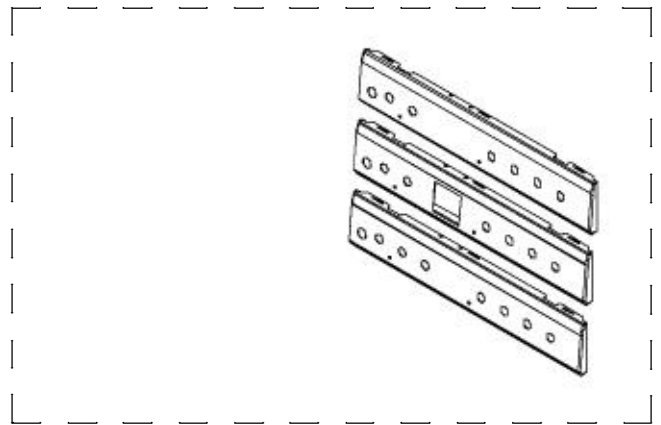
DIGITAL TIMER (OPTIONAL)



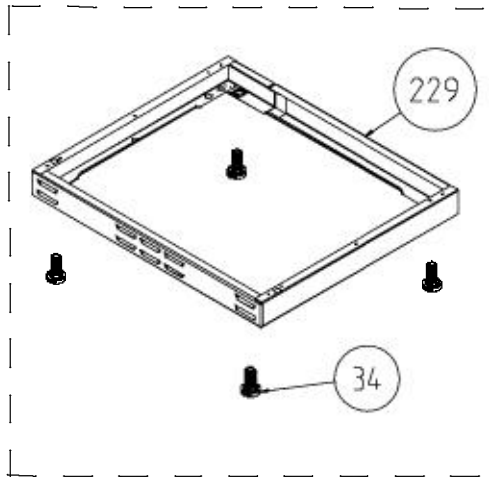
MECHANIC TIMER (OPTIONAL)



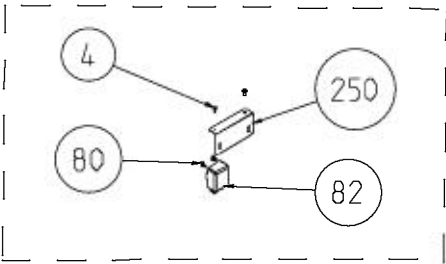
3D METAL CONTROL PANELS
(OPTIONAL)



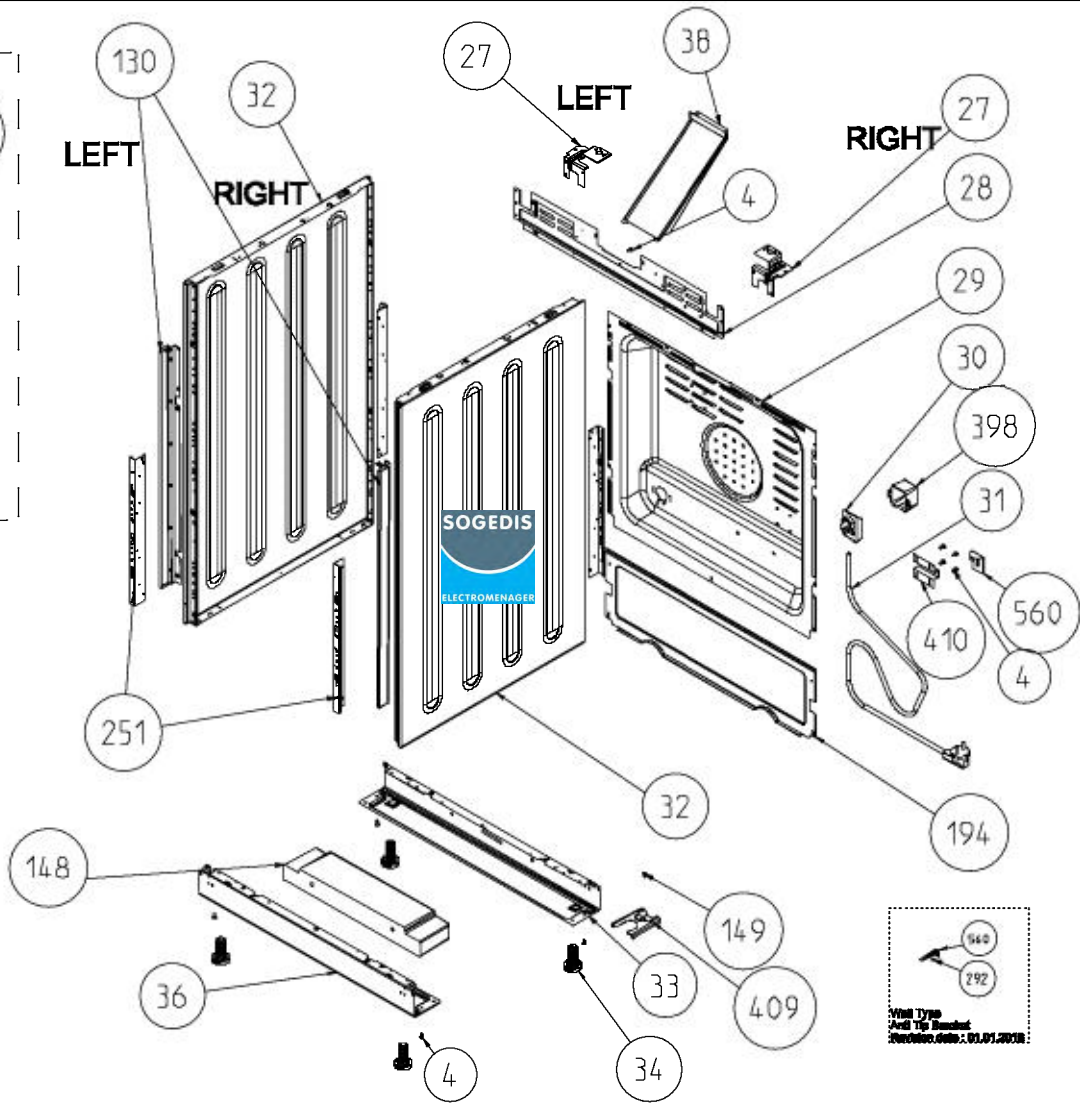
FLAT METAL CONTROL PANELS
(OPTIONAL)



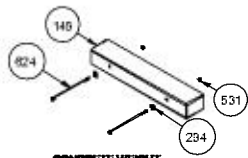
**EXTRA BOTTOM SUPPORT
(WITH LOUVRES)**



**(OPTIONAL ONLY FOR
ELECTRIC GRILL FS GAS)**

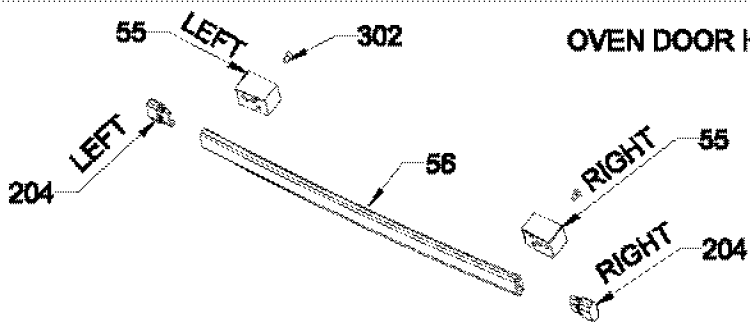


Wiring Type
Part No. 940
Revision date: 01.01.2018

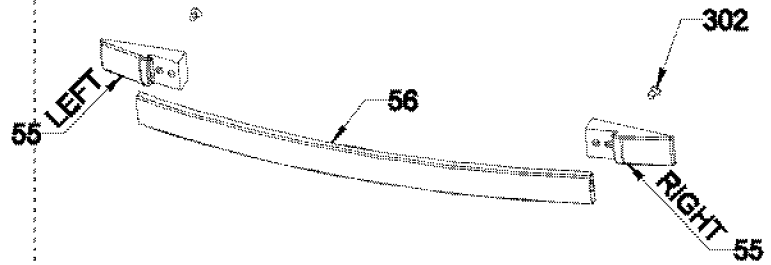


CONCRETE WEIGHT
Revision date: 01.04.2017

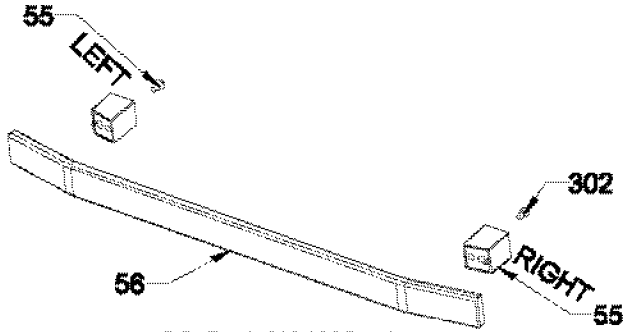
OVEN DOOR HANDLES (OPTIONAL)



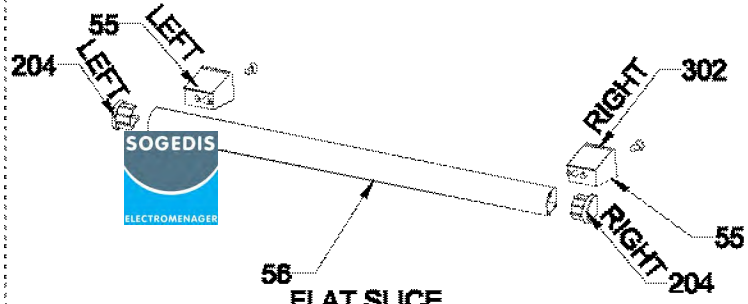
CURVED QUADRANGLE



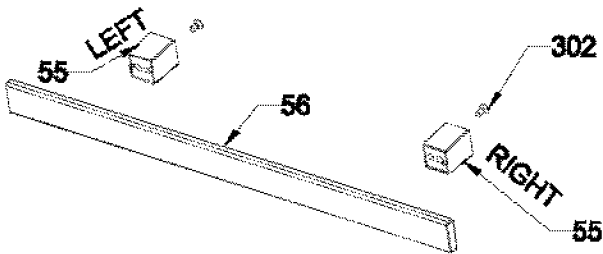
ARC QUADRANGLE



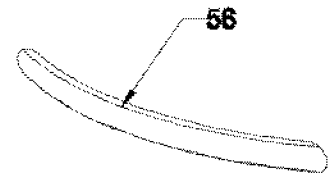
3D QUADRANGLE



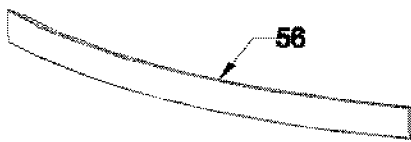
FLAT SLICE



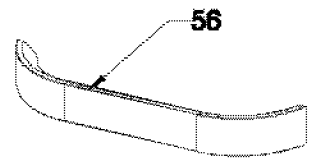
FLAT QUADRANGLE



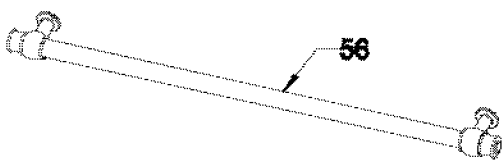
ELLIPSE ARC



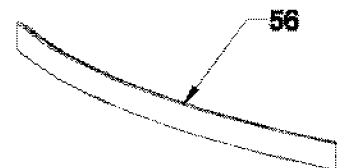
D PROFILE ARC, ELECTROLUX



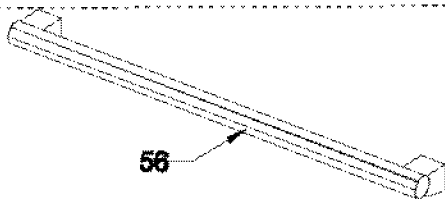
BOW



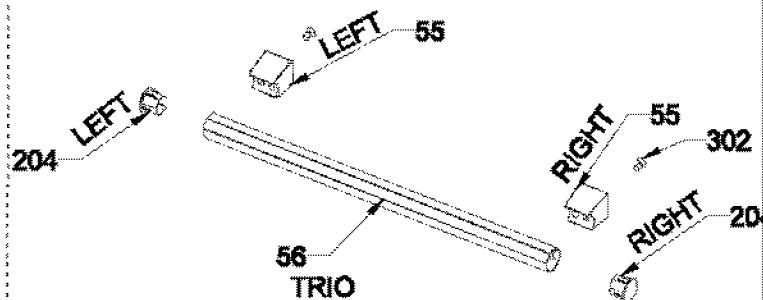
RUSTIK RISUS



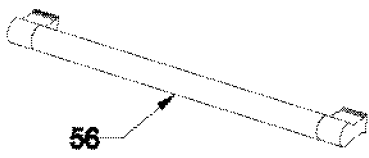
D PROFILE ARC



METALUX

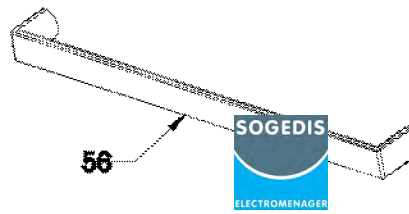


TRIO



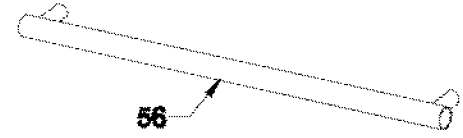
56

TROY



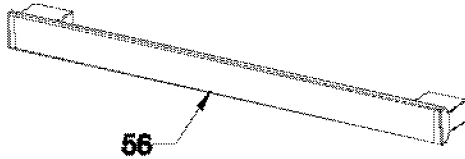
56

VERO



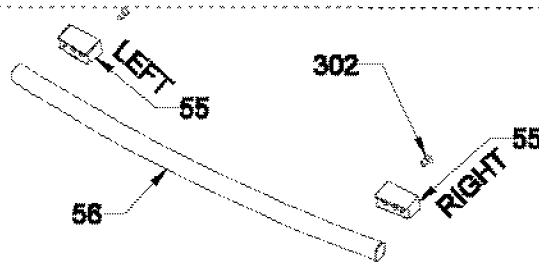
56

CYLINDER



56

JUNO VESTEL ONLY



56

LEFT

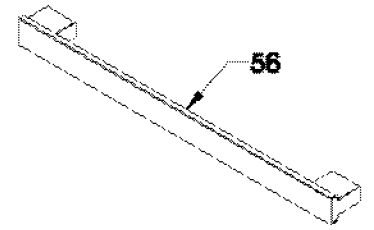
55

302

RIGHT

55

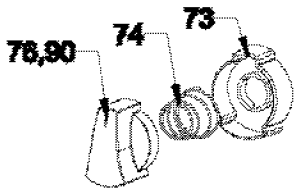
ARC TUBE



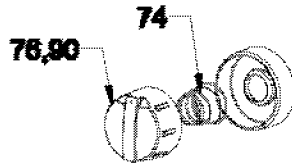
56

TITAN VESTEL & SHARP ONLY

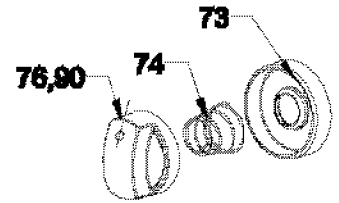
KNOBS (NEW FREESTANDING OVEN ONLY - OPTIONAL)



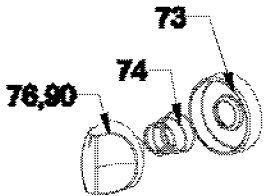
DELTA RING



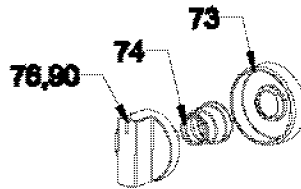
ANTERO



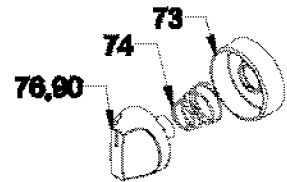
ECLIPSE RING



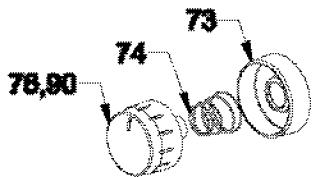
GAMA RING



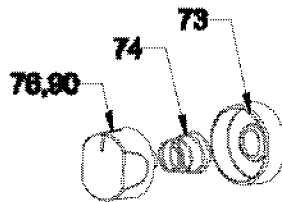
NORD RING



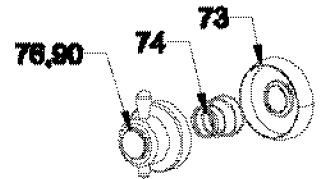
PELGIRIM



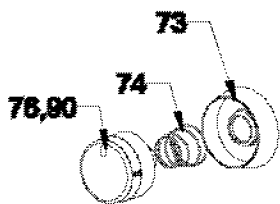
OMEGA



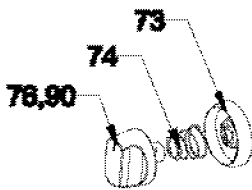
RIMO RING



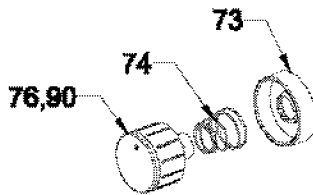
RUSTIK RISUS RING



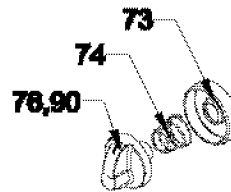
SIGMA



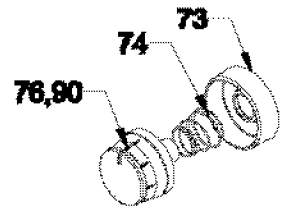
TRIO



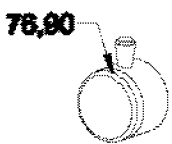
SMALL MACRO RING



VARIO RING



SPEKTRUM



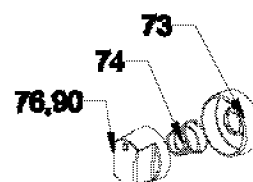
AGA CLASSIC ONLY



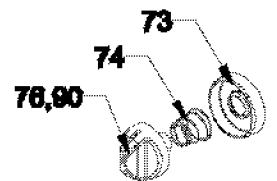
AGA KITCHENER ONLY



AGA PROFESSIONAL ONLY



VESTA



ZETA RING