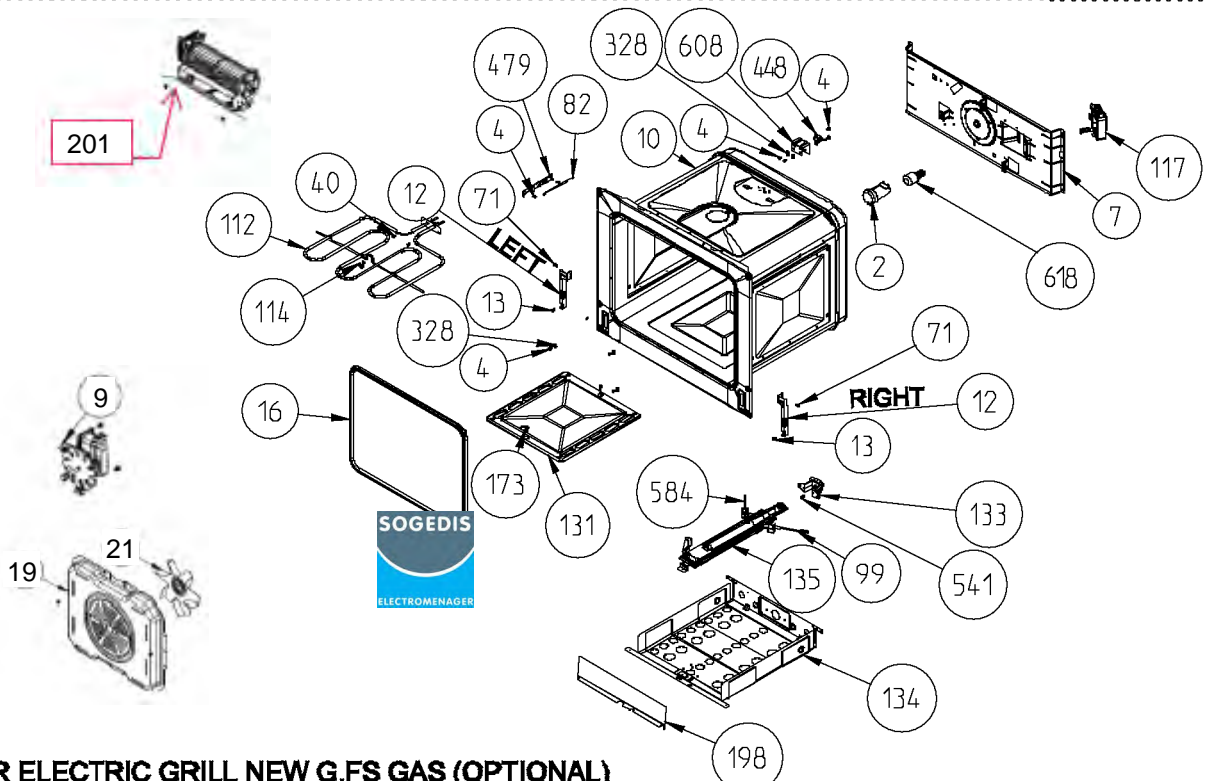
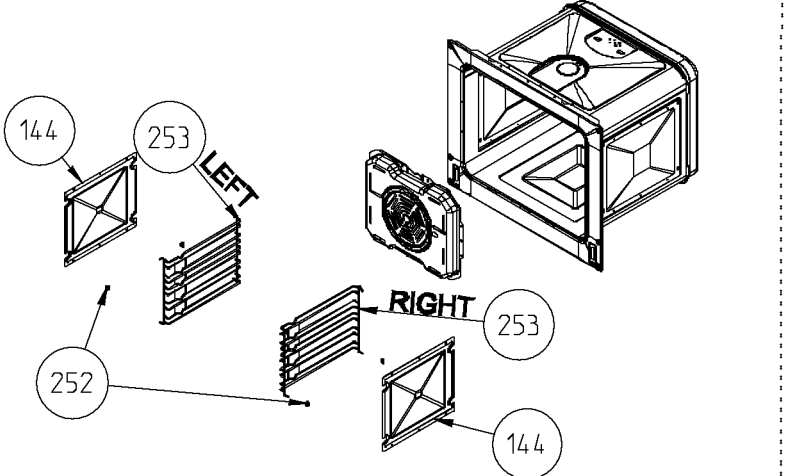


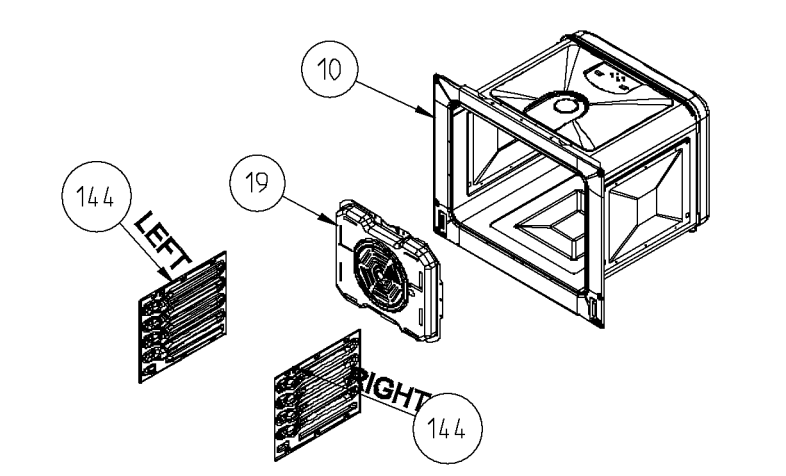
NEW G.FS GAS (OPTIONAL)



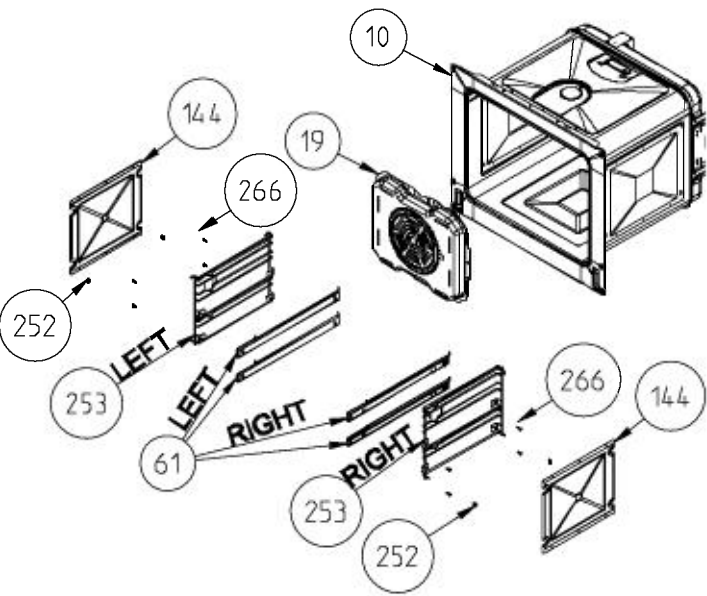
ONLY FOR ELECTRIC GRILL NEW G.FS GAS (OPTIONAL)



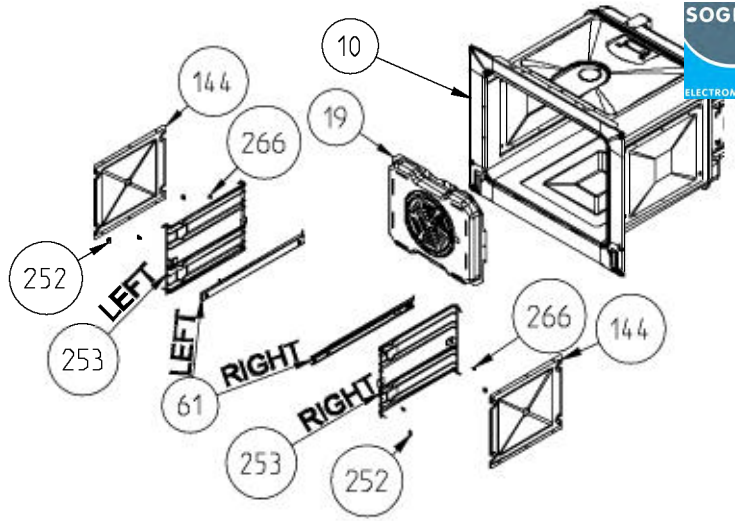
WIRE SHELF CAVITY ASSEMBLY WITH/ WITHOUT CATALYTIC PANEL (OPTIONAL)



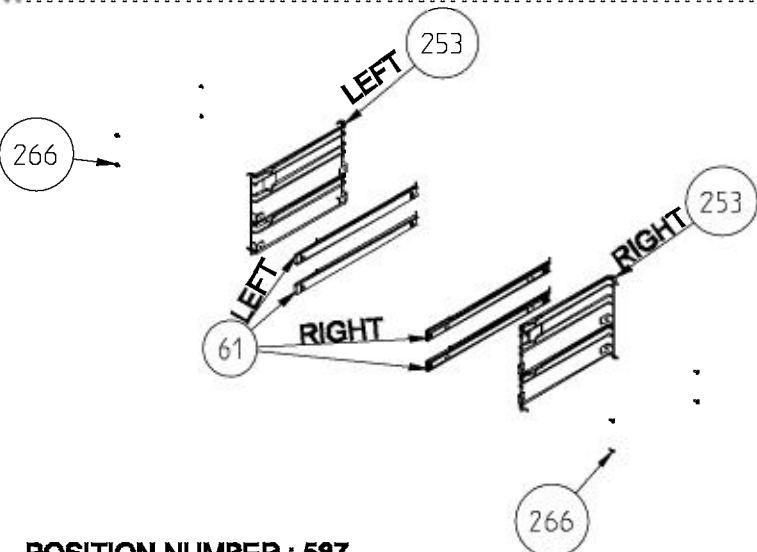
CAVITY ASSEMBLY WITH CATALYTIC SHELF (OPTIONAL)



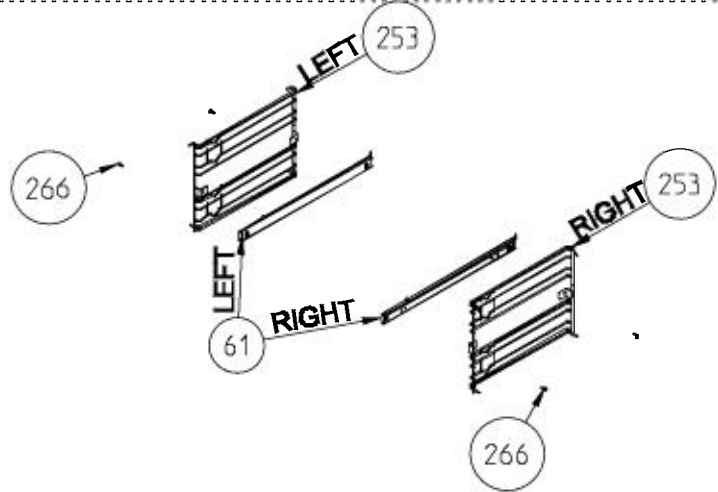
**WIRE SHELF CAVITY ASSEMBLY
WITH/ WITHOUT CATALYTIC PANEL
OPTIONAL:DOUBLE TELESCOPIC RAIL (R / L)**



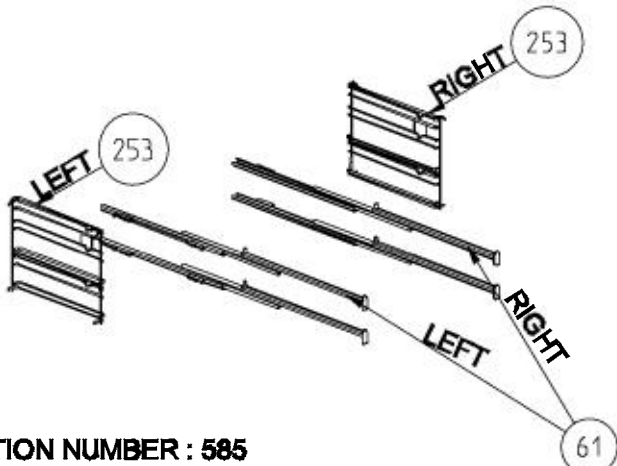
**WIRE SHELF CAVITY ASSEMBLY
WITH/ WITHOUT CATALYTIC PANEL
OPTIONAL:TELESCOPIC RAIL (R / L)**



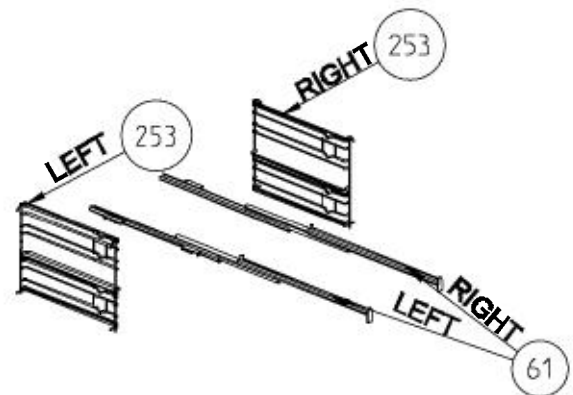
**POSITION NUMBER : 587
WIRE SHELF (SINGLE EXTENSION)
OPTIONAL:DOUBLE TELESCOPIC RAIL (R / L) GROUP**



**POSITION NUMBER : 588
WIRE SHELF (SINGLE EXTENSION)
OPTIONAL: SINGLE TELESCOPIC RAIL (R / L) GROUP**



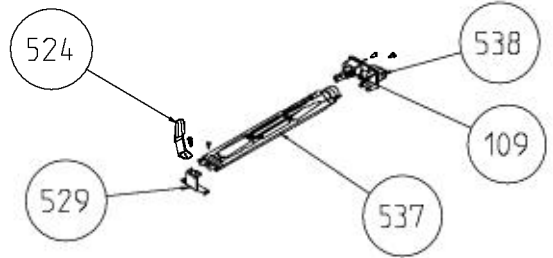
**POSITION NUMBER : 585
WIRE SHELF (FULL EXTENSION)
OPTIONAL:DOUBLE TELESCOPIC RAIL (R / L) GROUP**



**POSITION NUMBER: 586
WIRE SHELF (FULL EXTENSION)
OPTIONAL: SINGLE TELESCOPIC RAIL (R / L) GROUP**



TOP AND GRILL HEATING ELEMENT
(OPTIONAL ONLY FOR
ELECTRIC GRILL NEW G.FS GAS)



OVEN BURNER
(ONLY FOR NEW G.FS GAS)



LOCKED



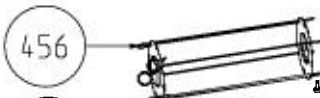
W. TELESCOPIC RAIL
GRID (OPTIONAL)



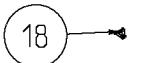
TURNSPIT HANDLE / SKEWER



THERMIST BULB
HOLDER/BACKET



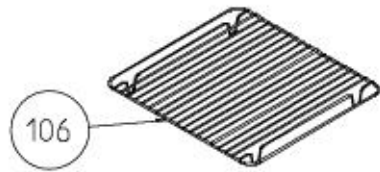
SHISH KEBAB
ACCESSORY (OPTIONAL)



TURNSPIT (OPTIONAL)



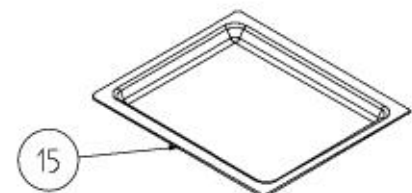
DEEP



DEEP TRAY GRID (OPTIONAL)

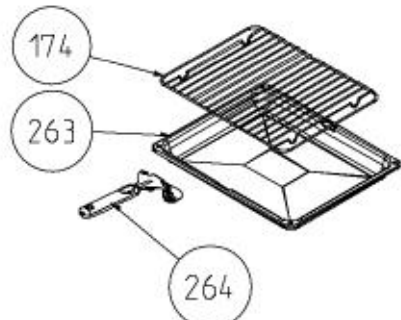


SHALLOW



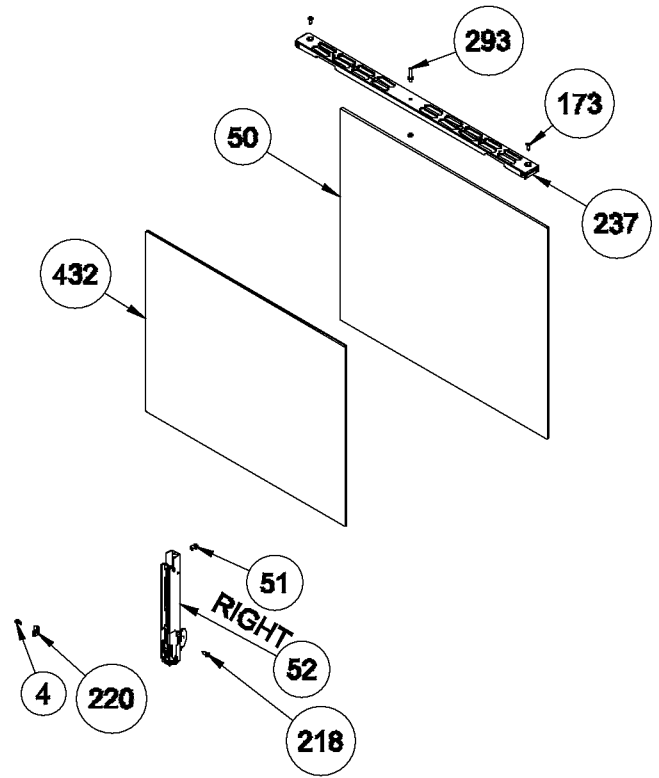
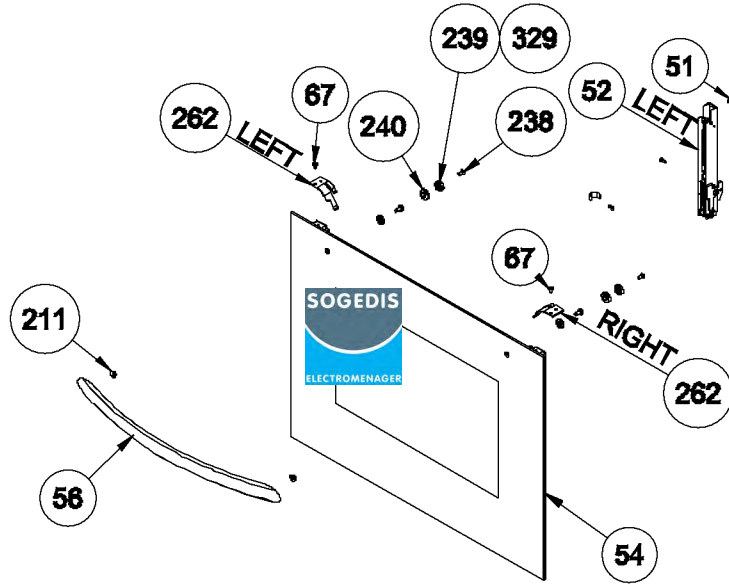
GLASS

TRAYS (OPTIONAL)

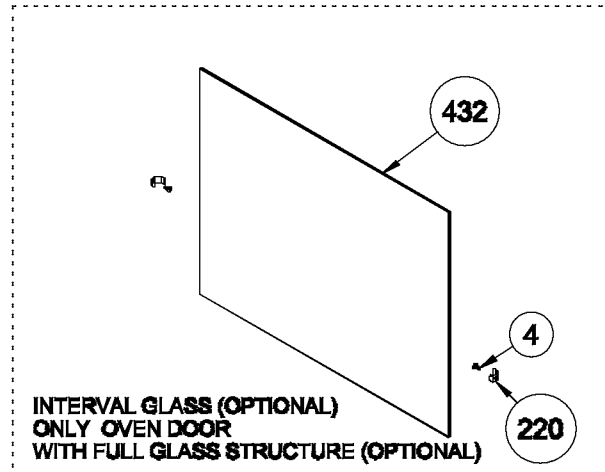
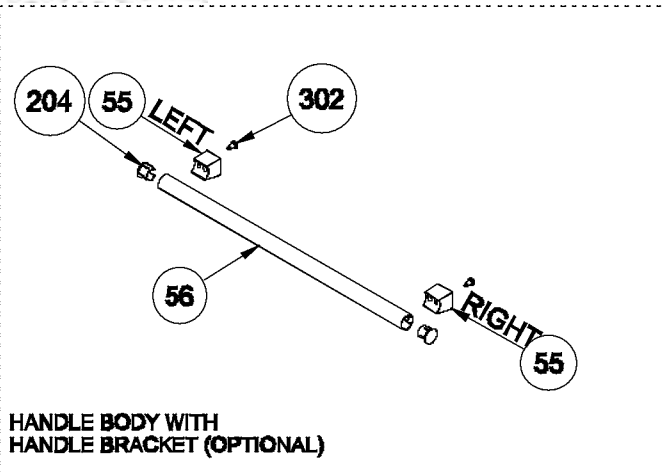


GRILL PAN AND HANDLE SET
(TRAY SET FOR GRILL) -
POSITION NO 265 (OPTIONAL)

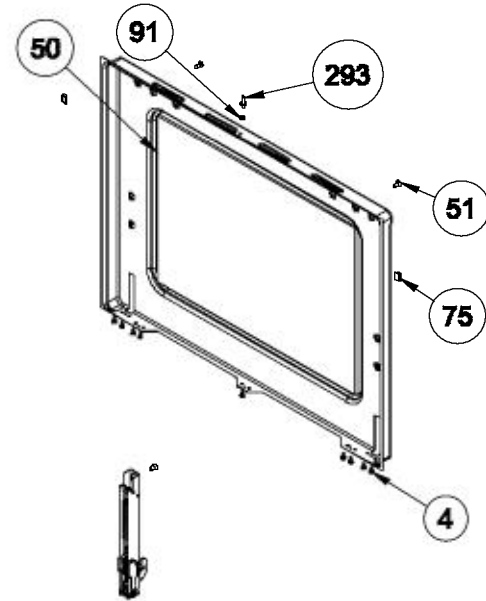
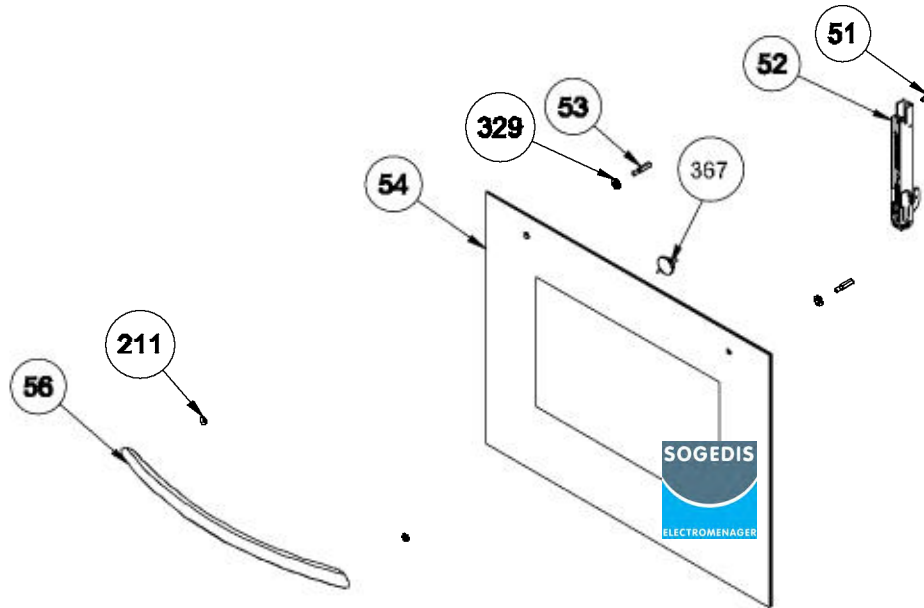
**POSITION
NUMBER :377
(DOOR)**



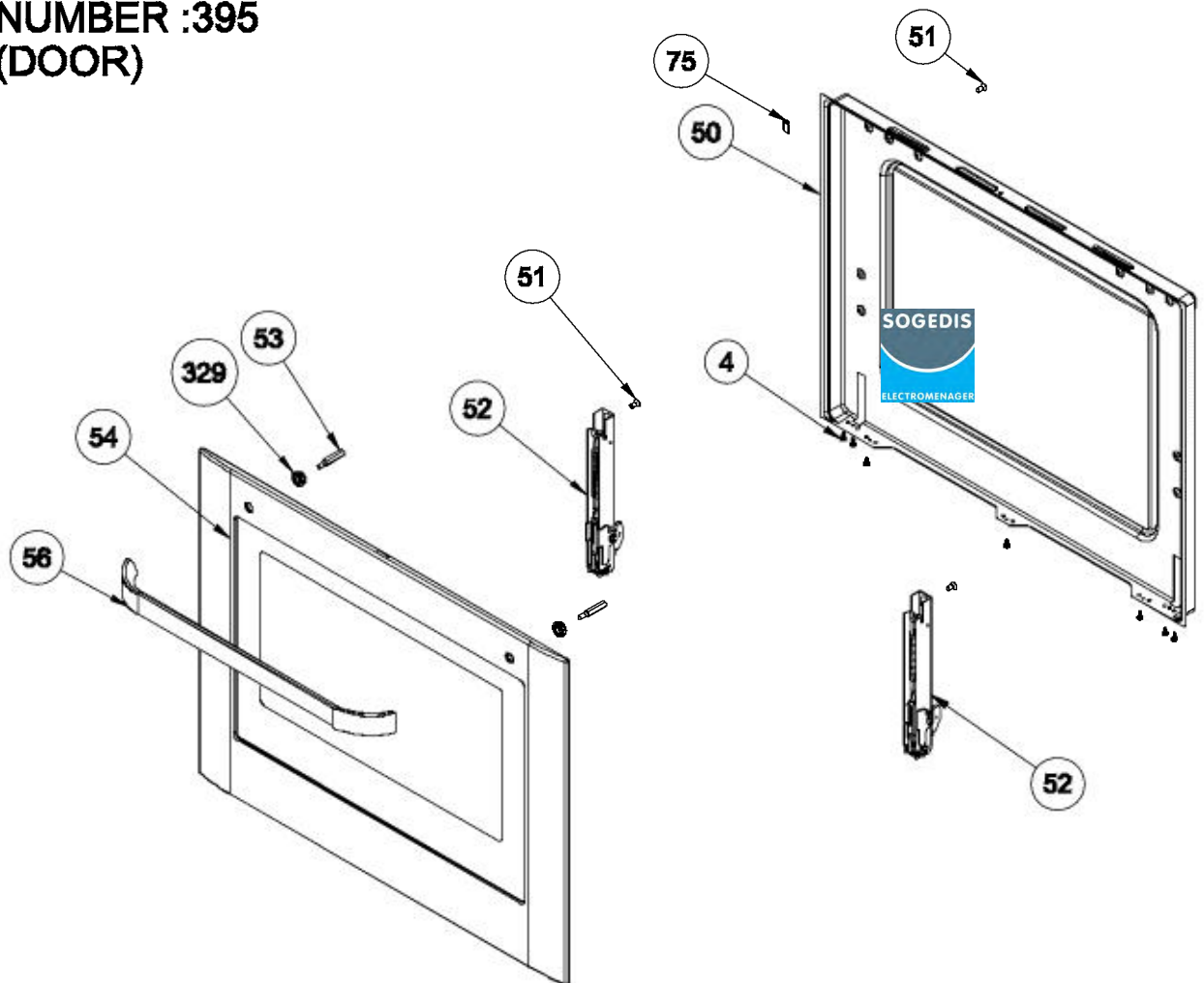
Note :
220,239,240,432 is for Removable Third Glass Versions
262,67 is for Removable Glass Versions



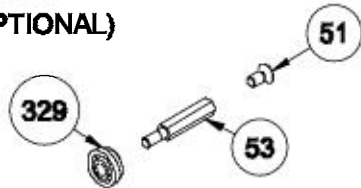
**POSITION
NUMBER :376
(DOOR)**



**POSITION
NUMBER :395
(DOOR)**

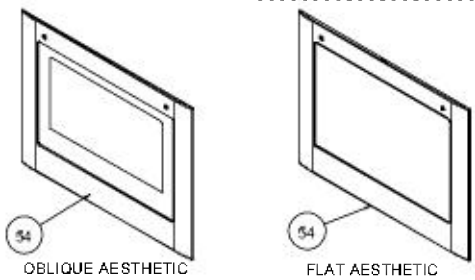


(OPTIONAL)



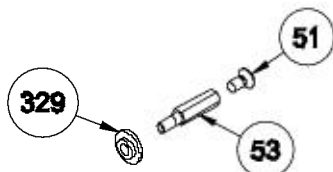
TYPE 1

**HANDLE ASSEMBLY GROUP
POSITION NUMBER : 49
(OPTIONAL)**



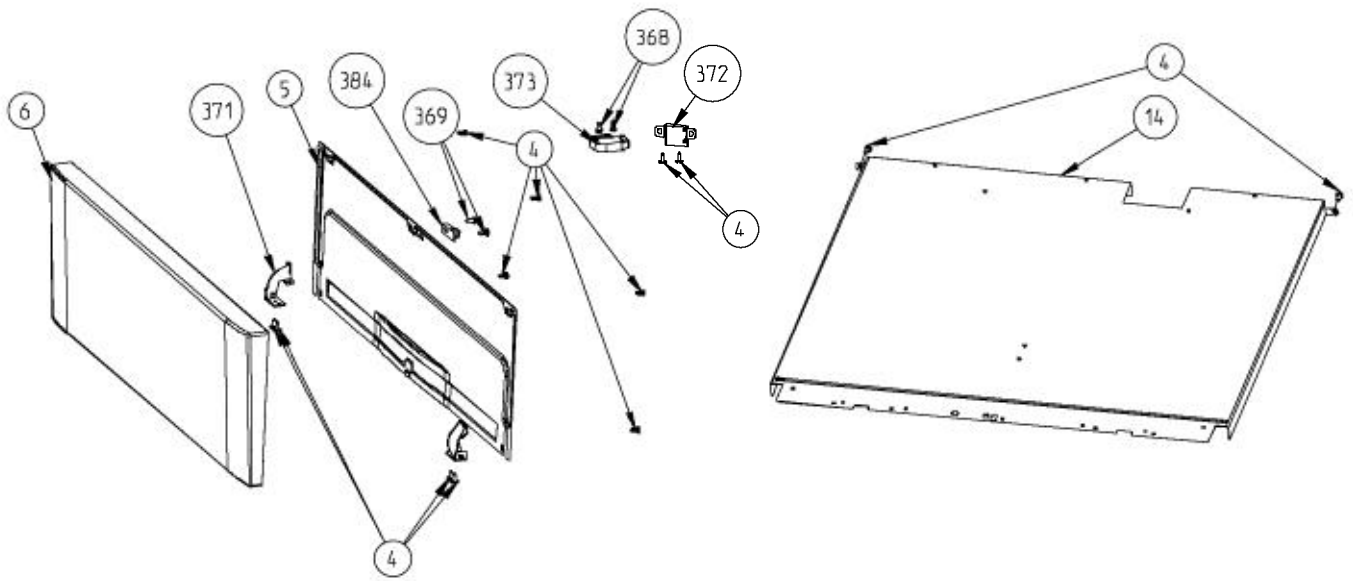
SOLID TYPE - POSITION NO 54 (OPTIONAL)

(OPTIONAL)

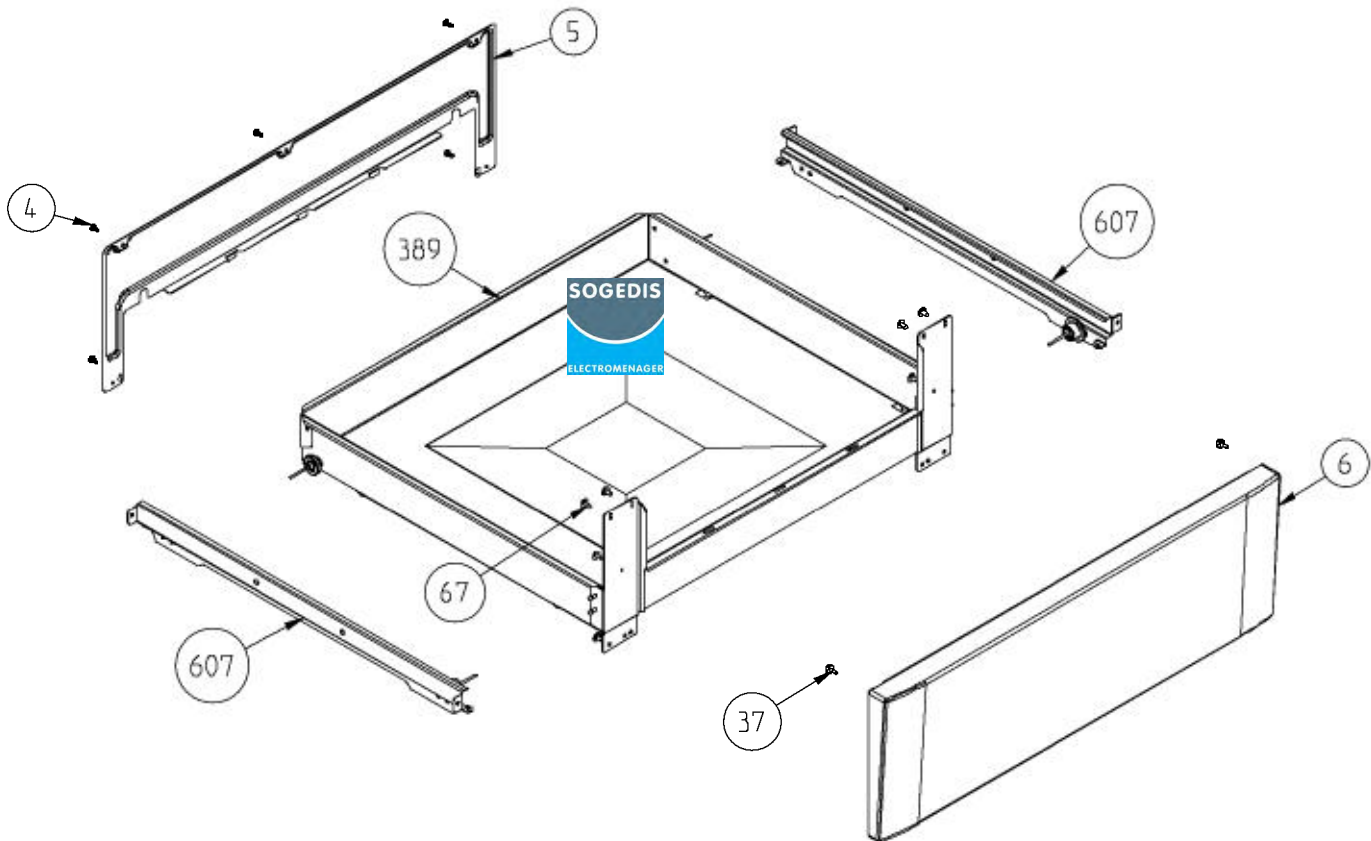


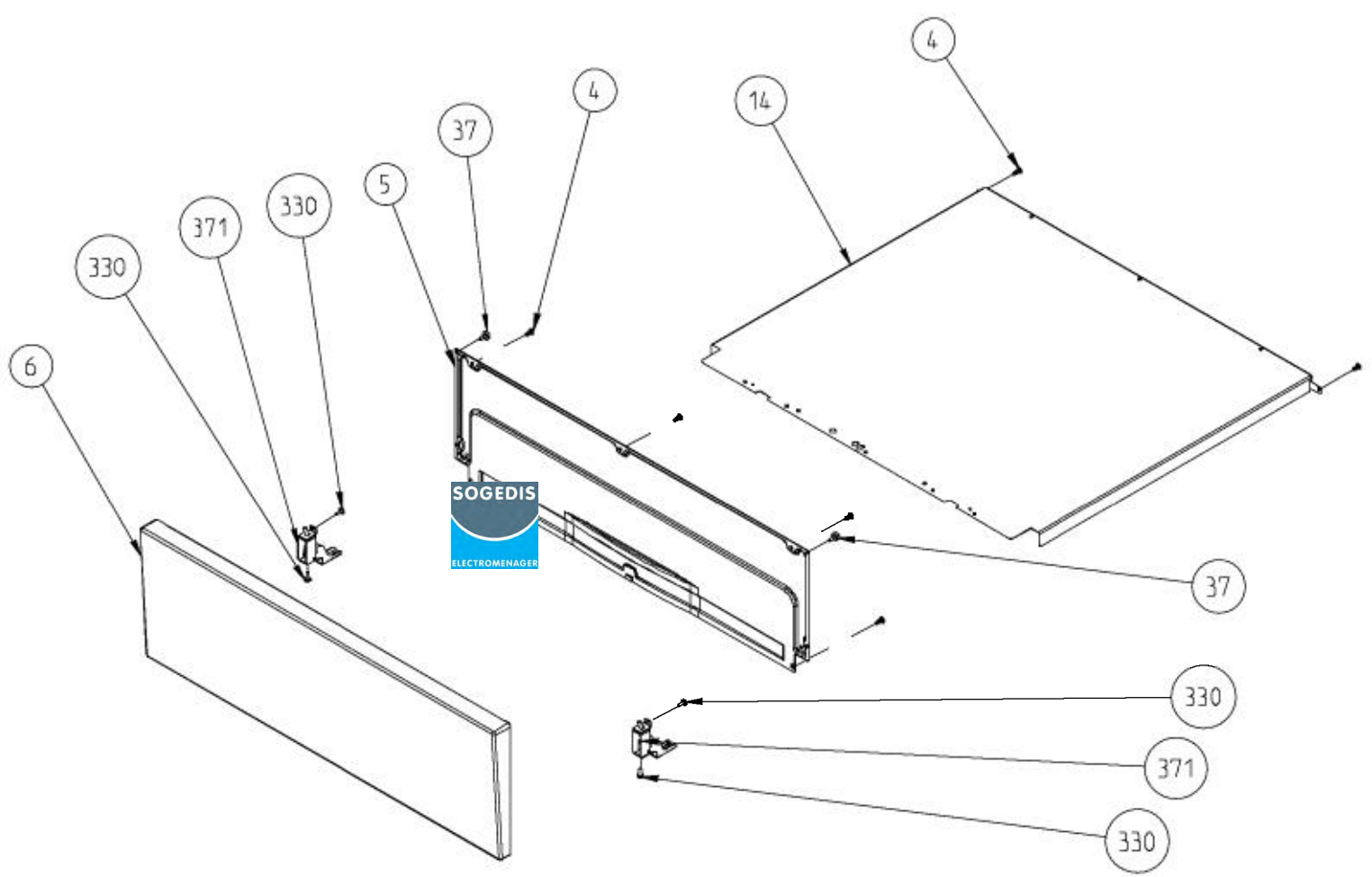
TYPE 2

**HANDLE ASSEMBLY GROUP
POSITION NUMBER : 49
(OPTIONAL)**

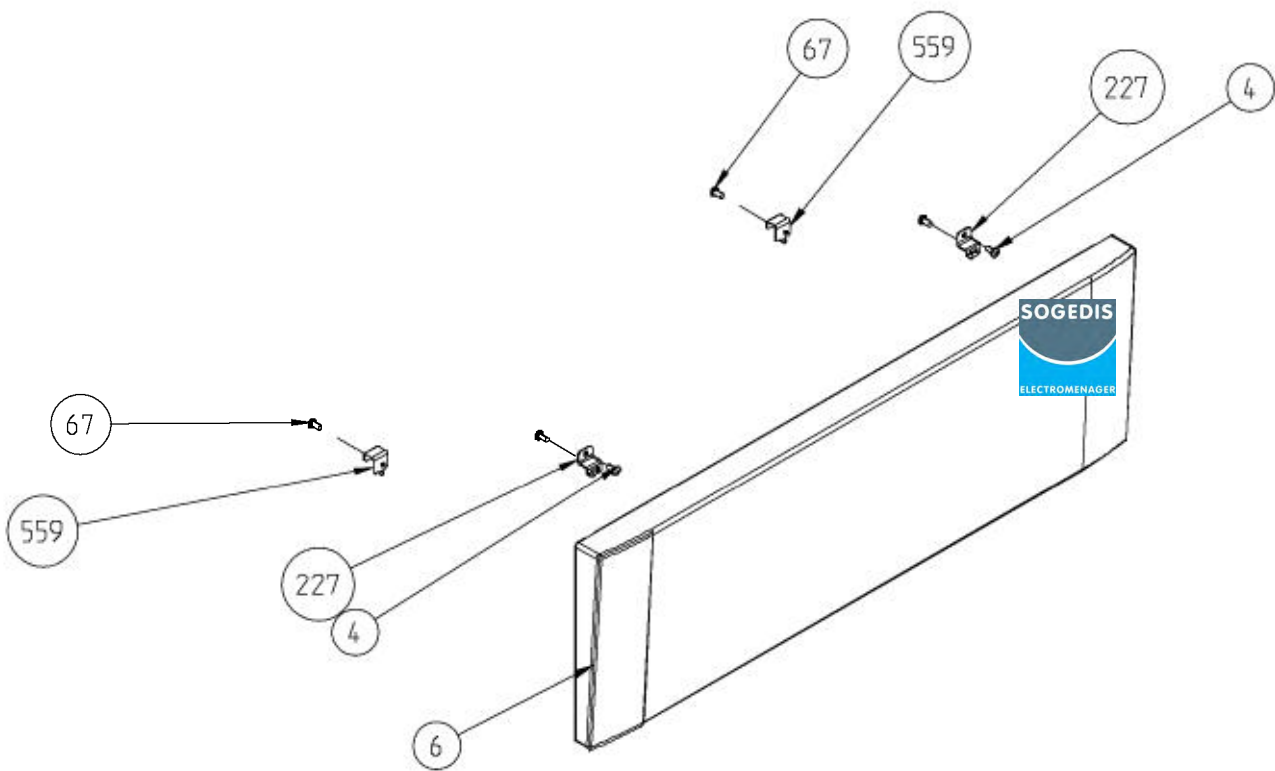


PUSH PULL FLAP DRAWER ASSEMBLY (OPTIONAL)



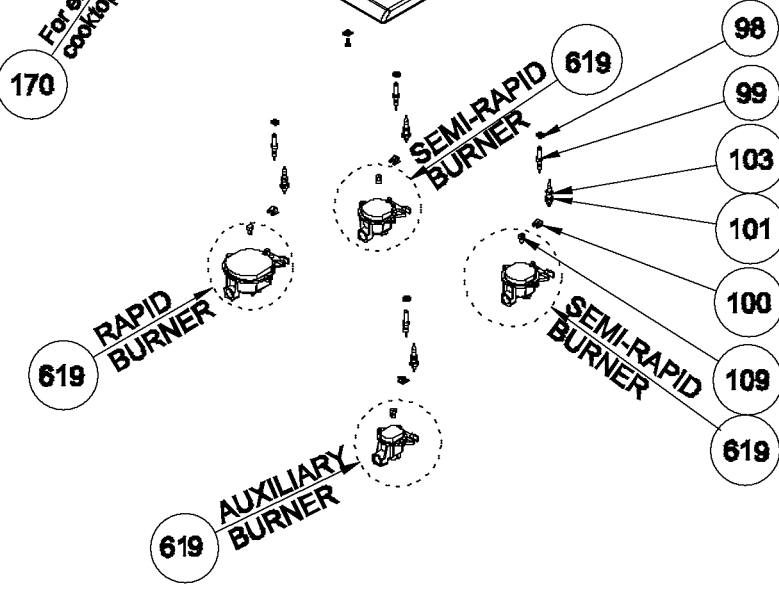
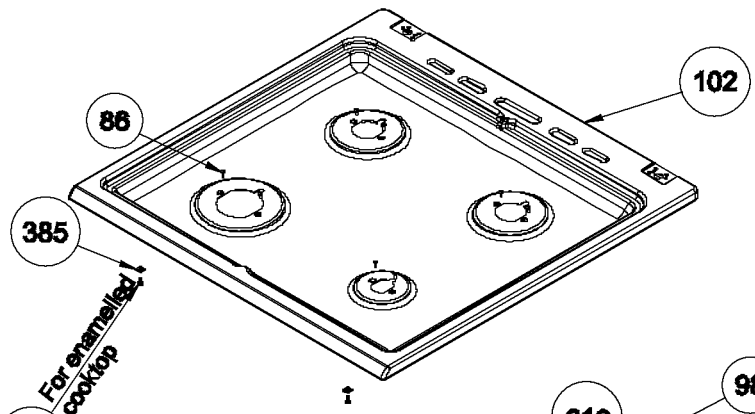
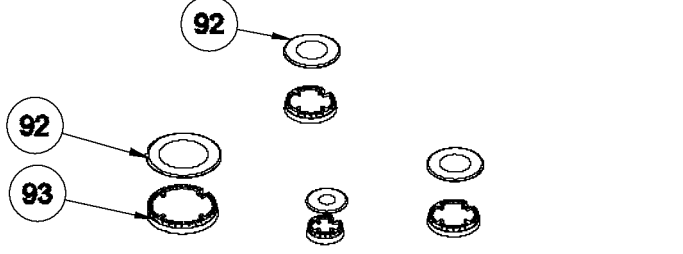
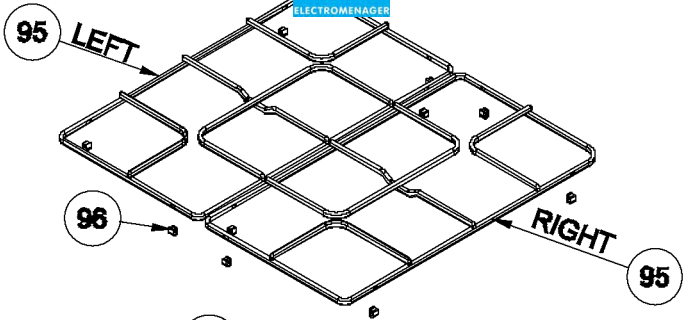


YNTB FLAP DRAWER ASSEMBLY

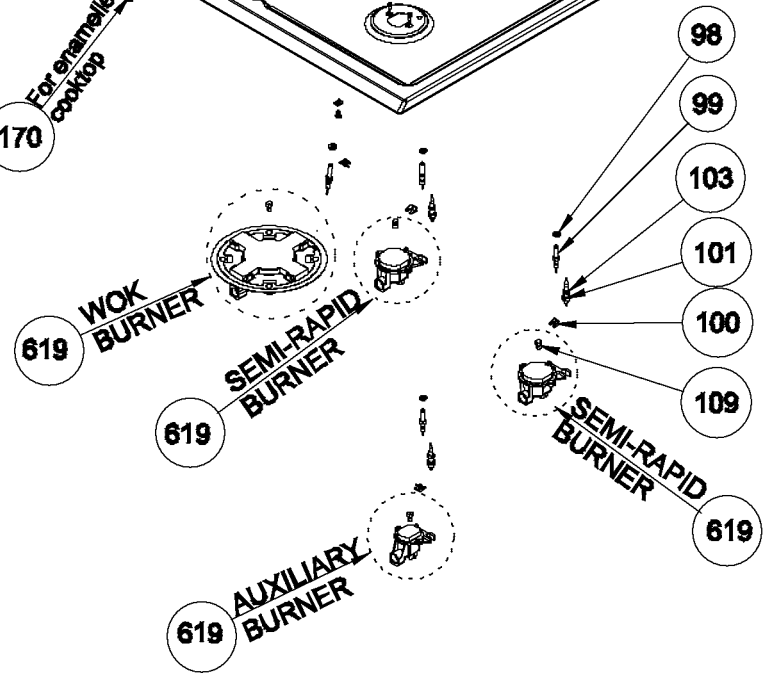
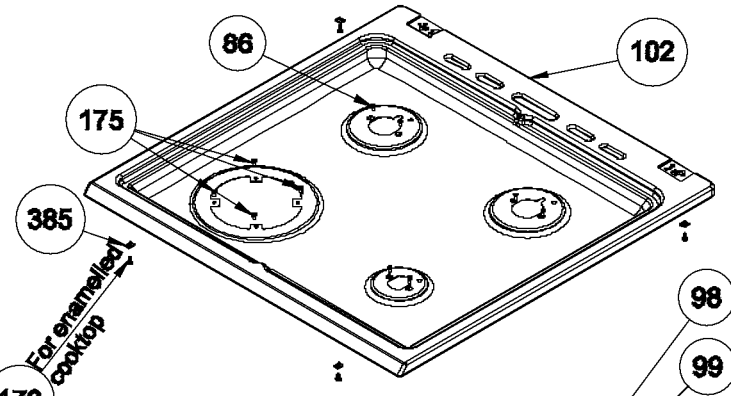
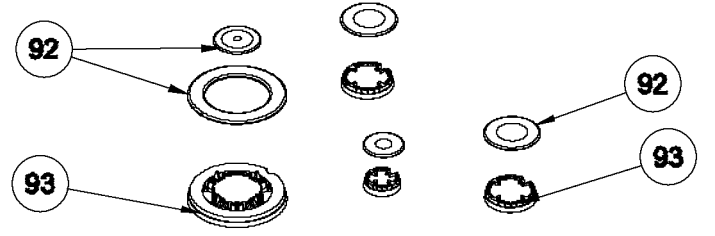
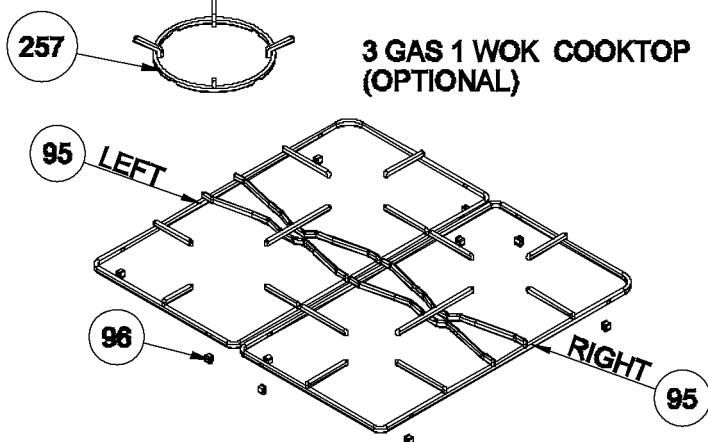


**FIXED DRAWER ASSEMBLY
(OPTIONAL)**

**4 GAS COOKTOP
(OPTIONAL)**

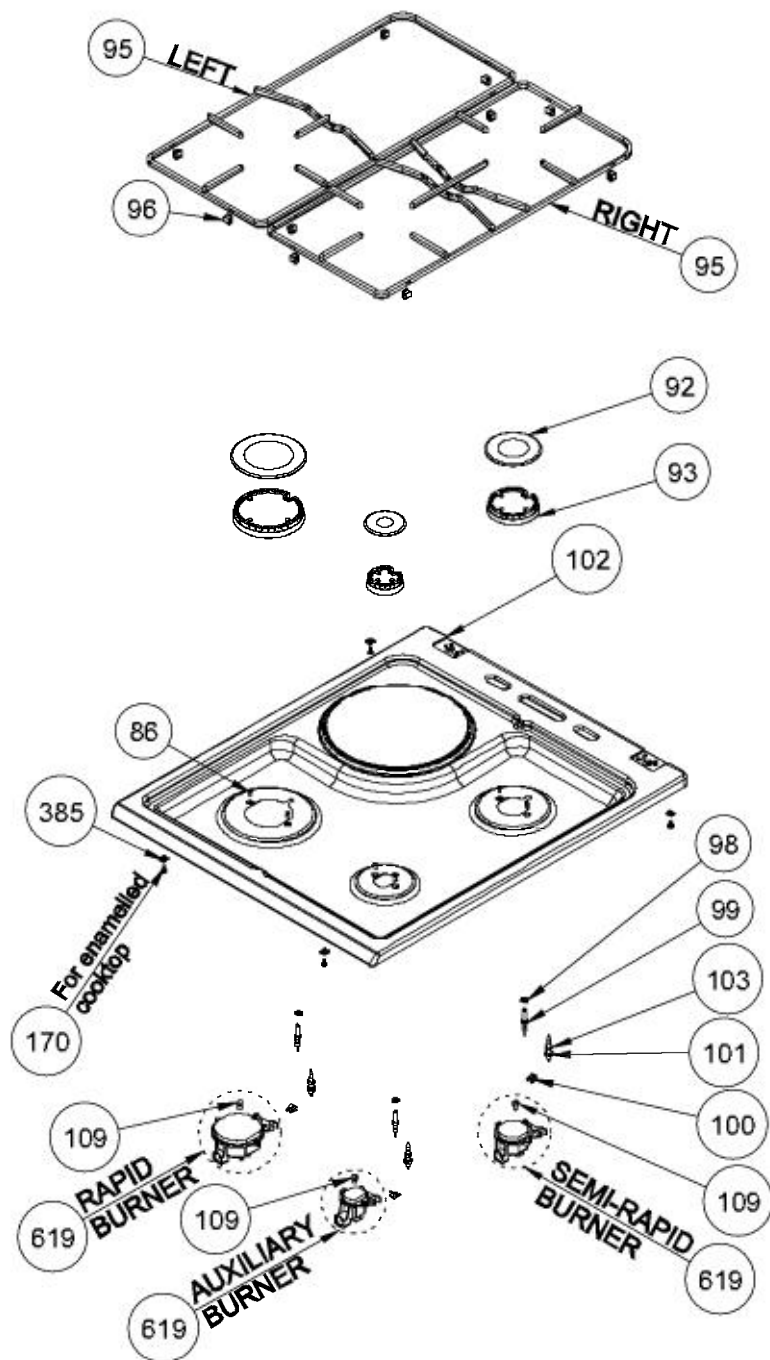
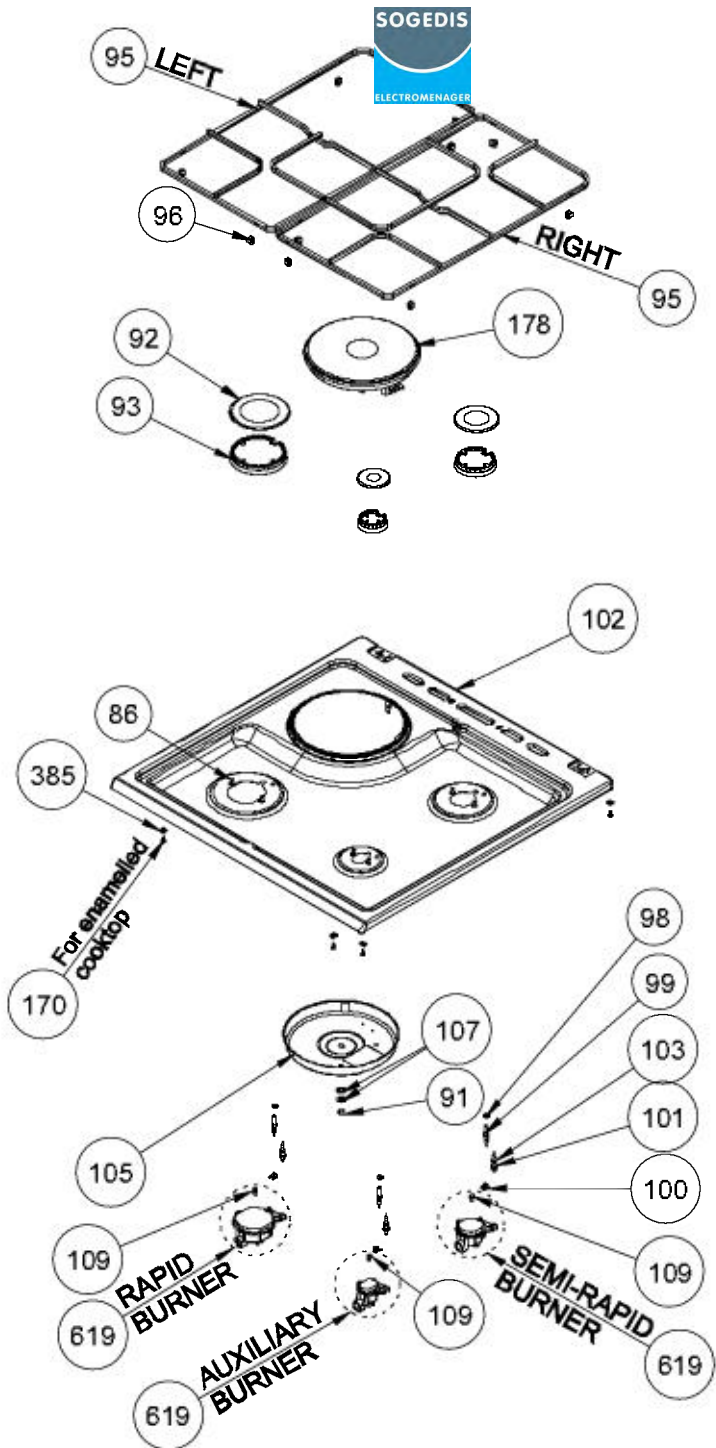


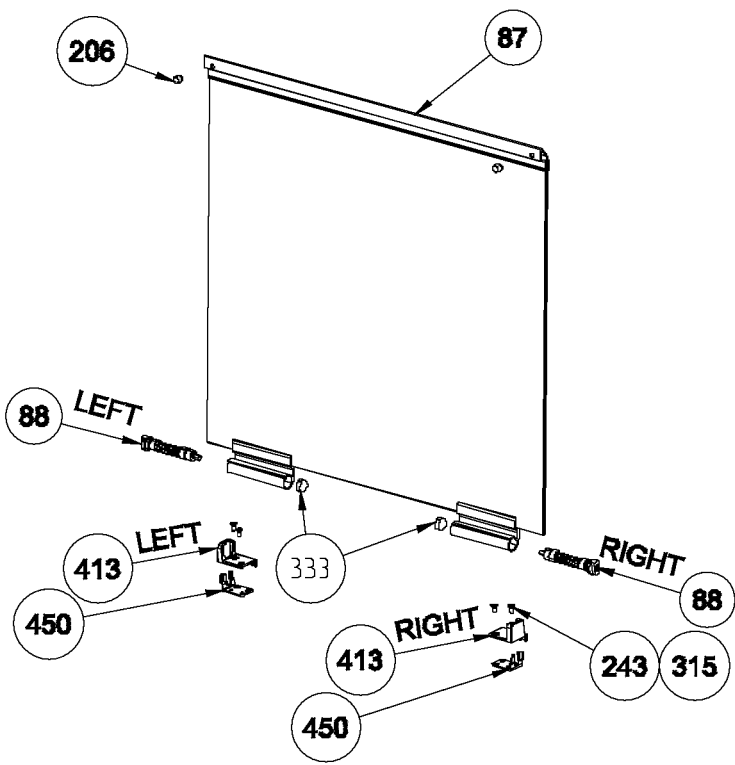
**3 GAS 1 WOK COOKTOP
(OPTIONAL)**



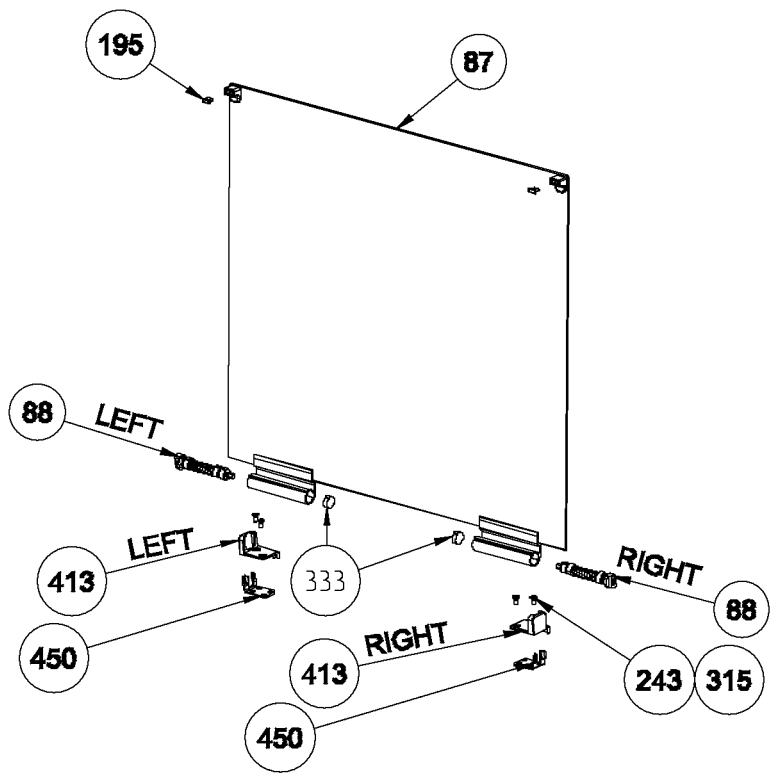
3 GAS 1 ELECTRIC COOKTOP
(OPTIONAL)

3 GAS COOKTOP
(OPTIONAL)

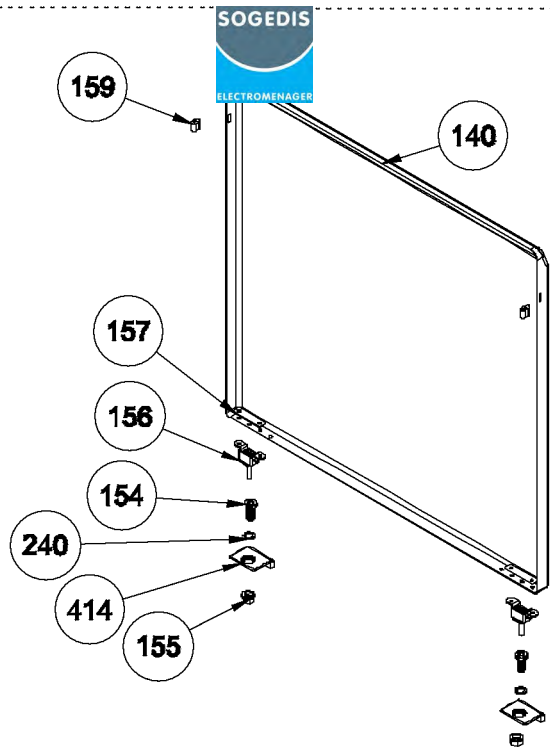




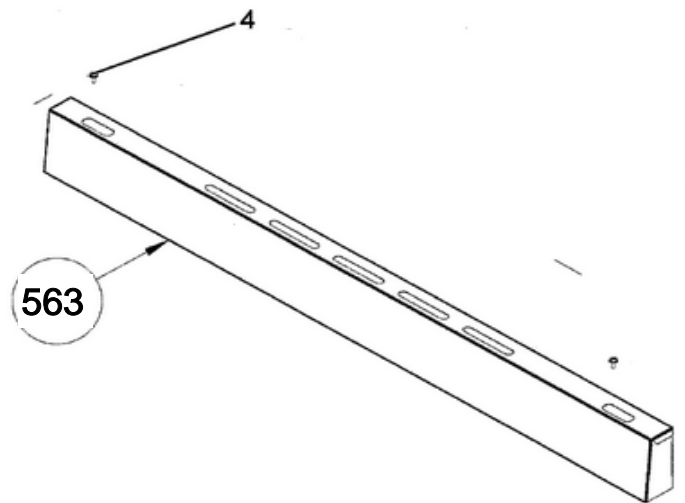
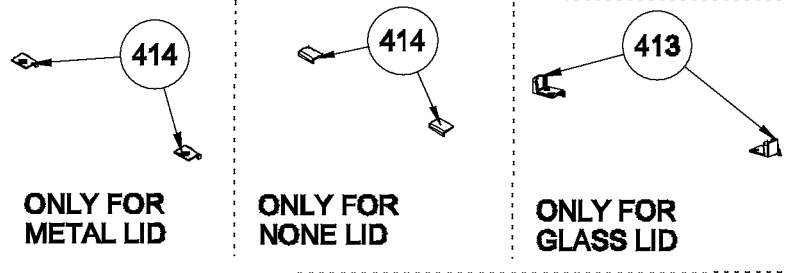
**GLASS LID WITH SHORT PROFILE
(OPTIONAL)**

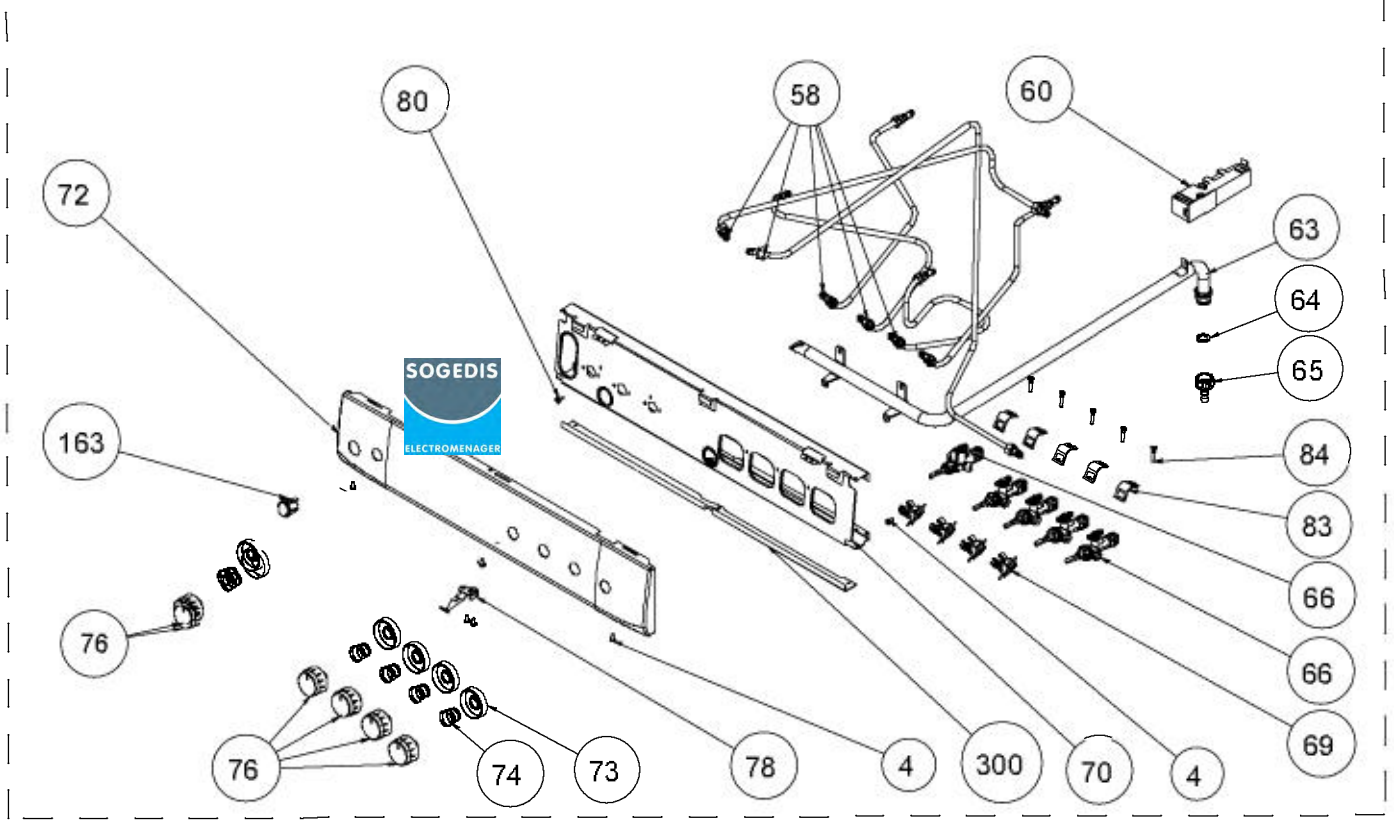


**GLASS LID WITH BUMPER
(OPTIONAL)**

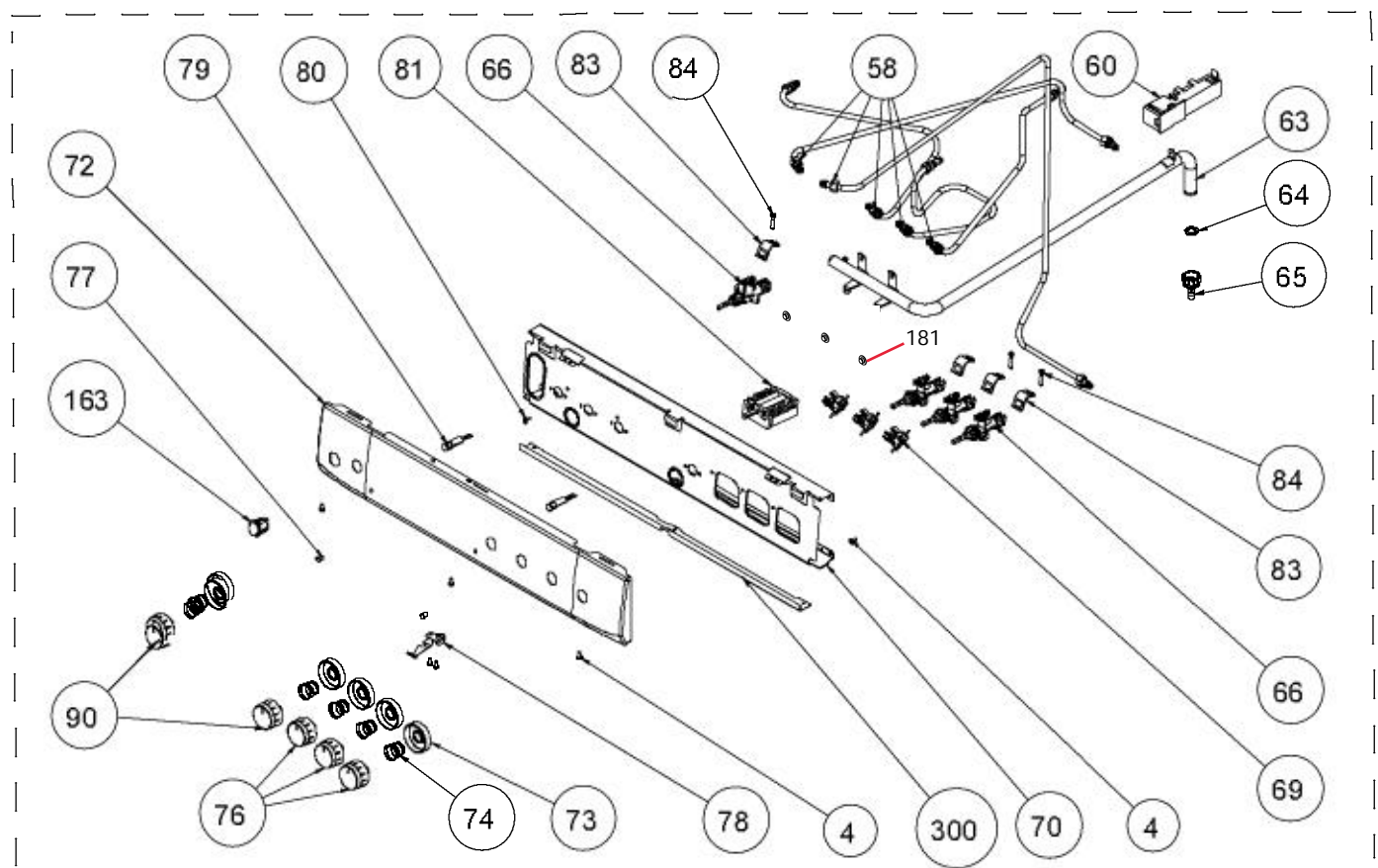


**METAL LID (OPTIONAL)
POSITION NUMBER :153**





3D-5-GAS - NO TIMER CONTROL PANEL ASSEMBLY



3D- 3GAS+1ELECTRIC - NO TIMER CONTROL PANEL ASSEMBLY

Position 66



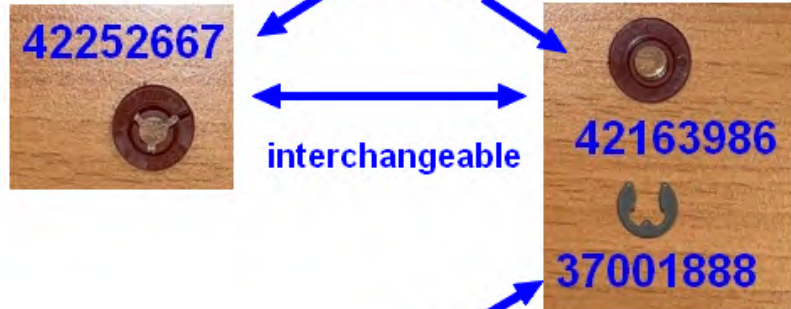
Position 66



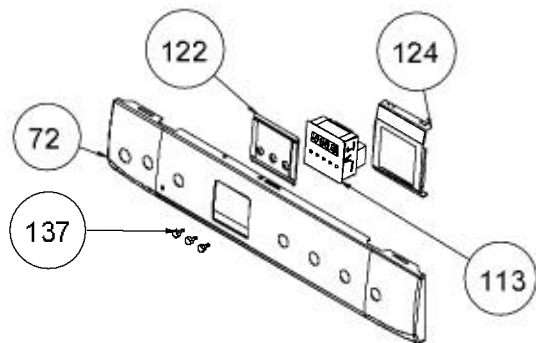
Position 181



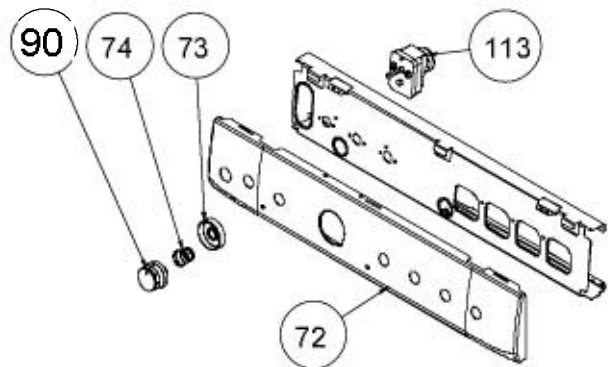
Position 181



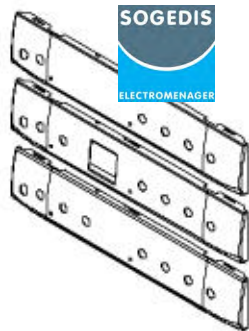
Position 267



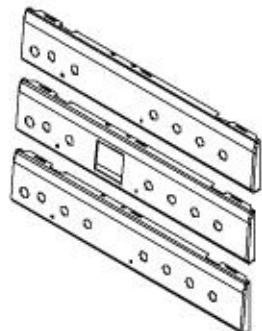
DIGITAL TIMER (OPTIONAL)



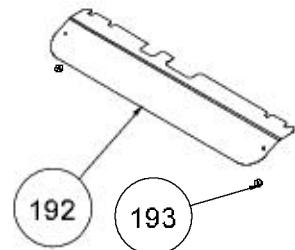
MECHANIC TIMER (OPTIONAL)



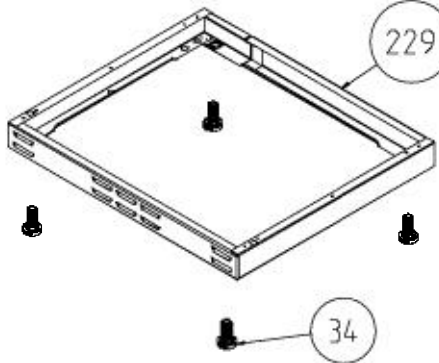
3D METAL CONTROL PANELS
(OPTIONAL)



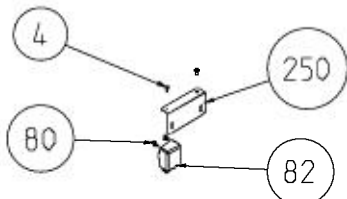
FLAT METAL CONTROL PANELS
(OPTIONAL)



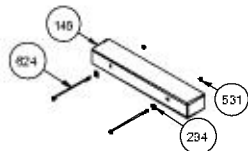
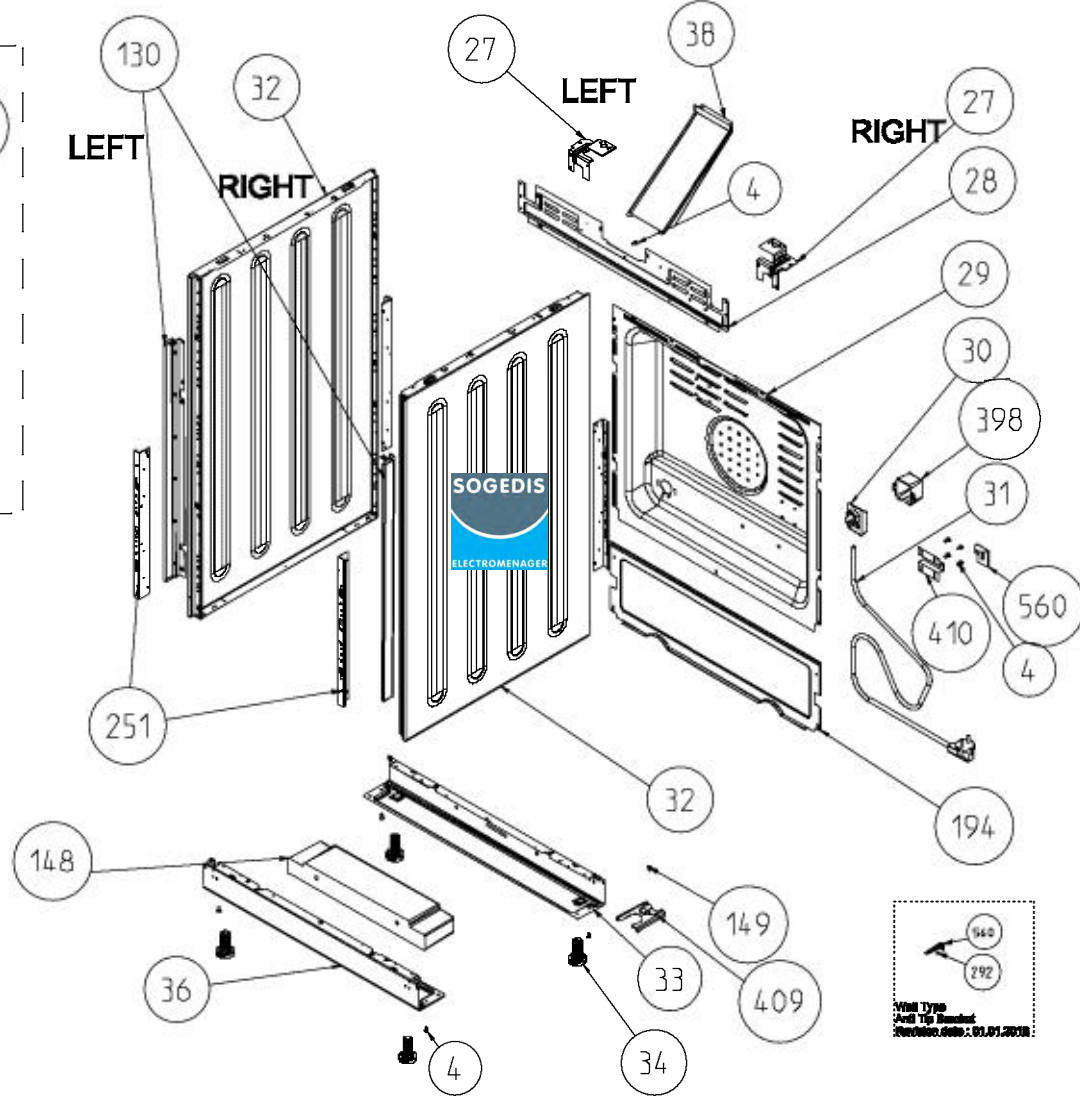
GRILL HEAT COVER
(OPTIONAL)



**EXTRA BOTTOM SUPPORT
(WITH LOUVRES)**

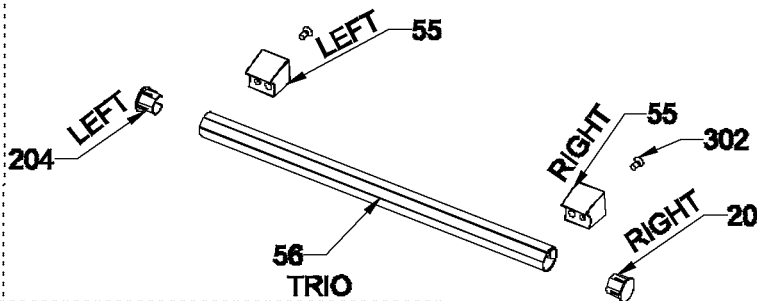
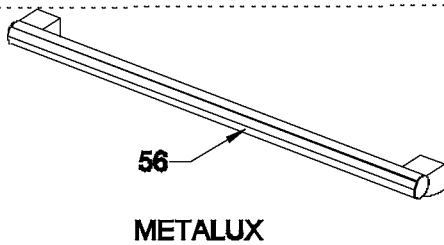
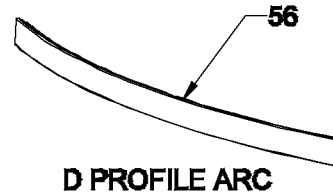
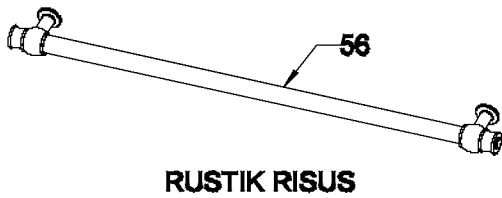
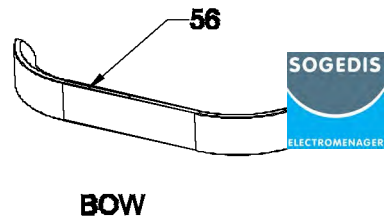
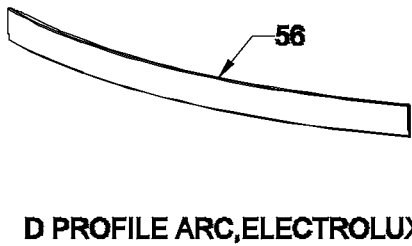
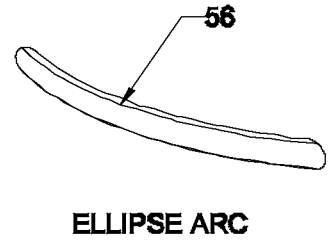
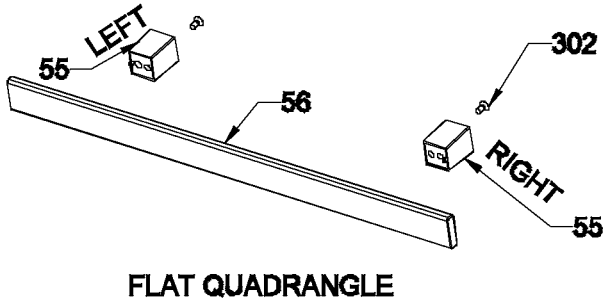
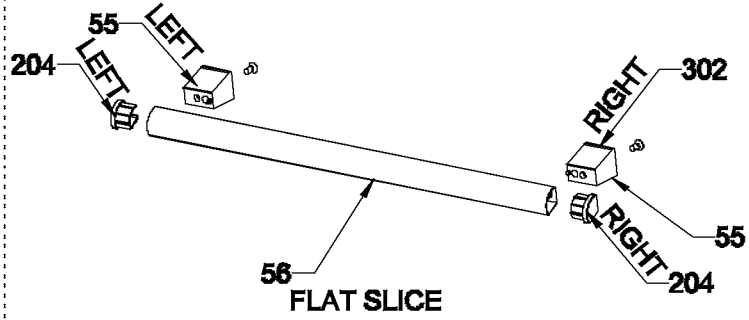
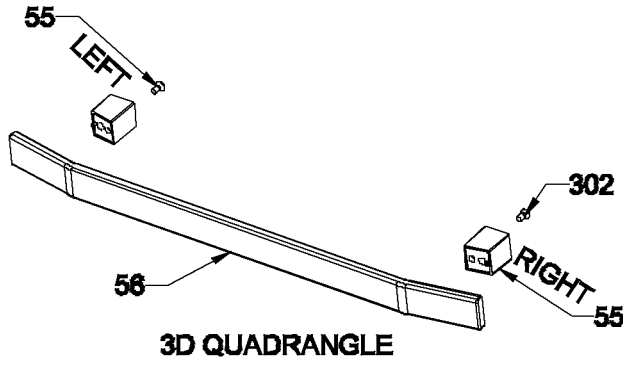
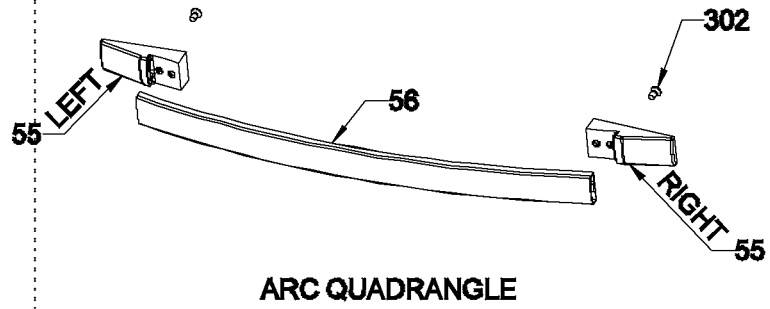
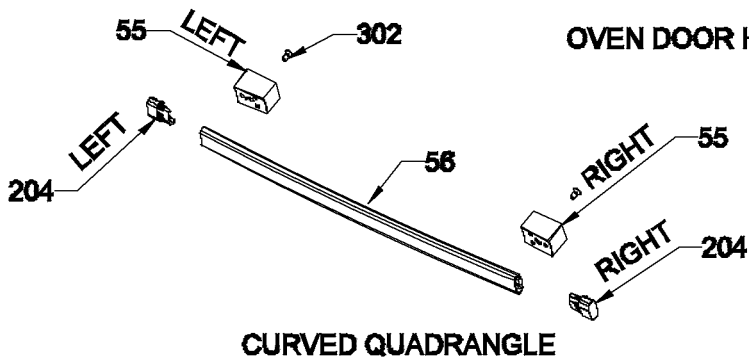


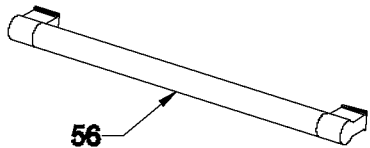
**(OPTIONAL ONLY FOR
ELECTRIC GRILL FS GAS)**



CONCRETE WEIGHT
Revision date: 01.04.2017

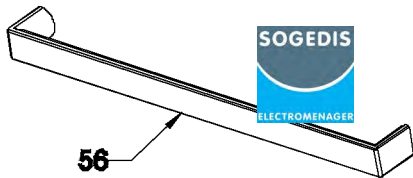
OVEN DOOR HANDLES (OPTIONAL)





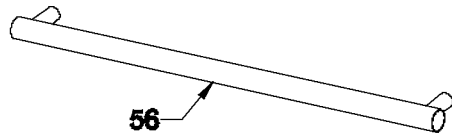
56

TROY



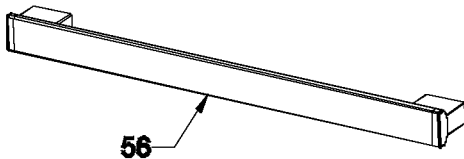
56

VERO



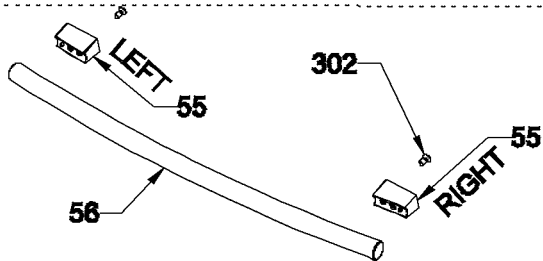
56

CYLINDER



56

JUNO VESTEL ONLY



56

LEFT

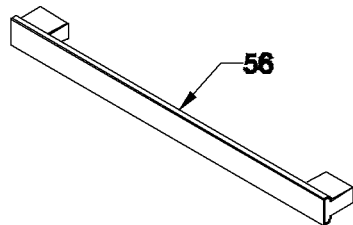
55

302

RIGHT

55

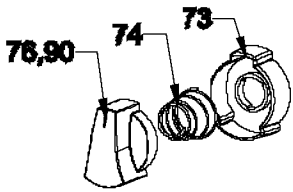
ARC TUBE



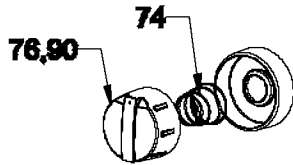
56

TITAN VESTEL & SHARP ONLY

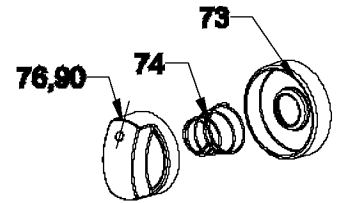
KNOBS (NEW FREESTANDING OVEN ONLY - OPTIONAL)



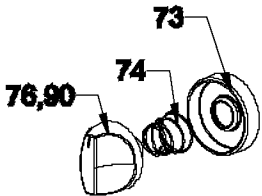
DELTA RING



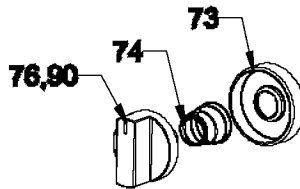
ANTERO



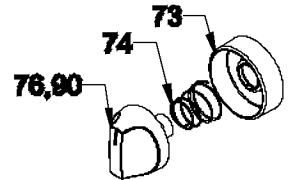
ECLIPSE RING



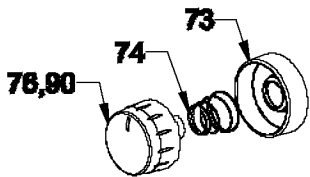
GAMA RING



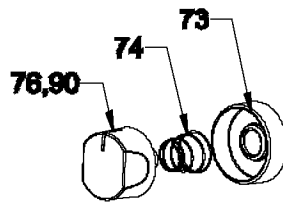
NORD RING



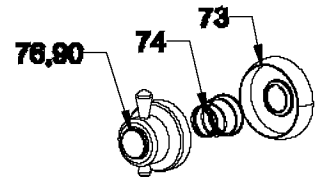
PELGIRIM



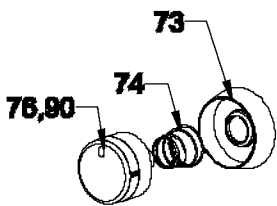
OMEGA



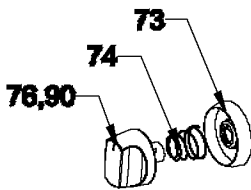
RIMO RING



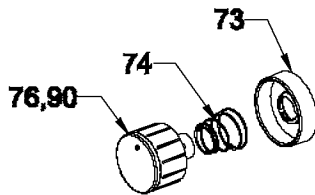
RUSTIK RISUS RING



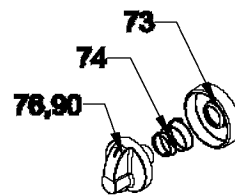
SIGMA



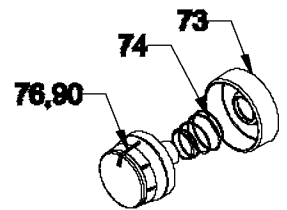
TRIO



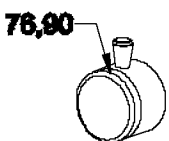
SMALL MACRO RING



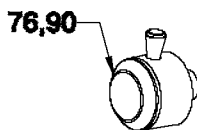
VARIO RING



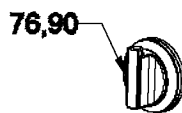
SPEKTRUM



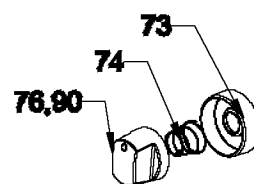
AGA CLASSIC ONLY



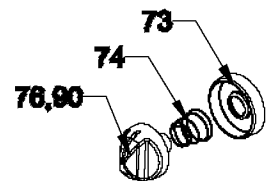
AGA KITCHENER ONLY



AGA PROFESSIONAL ONLY



VESTA



ZETA RING