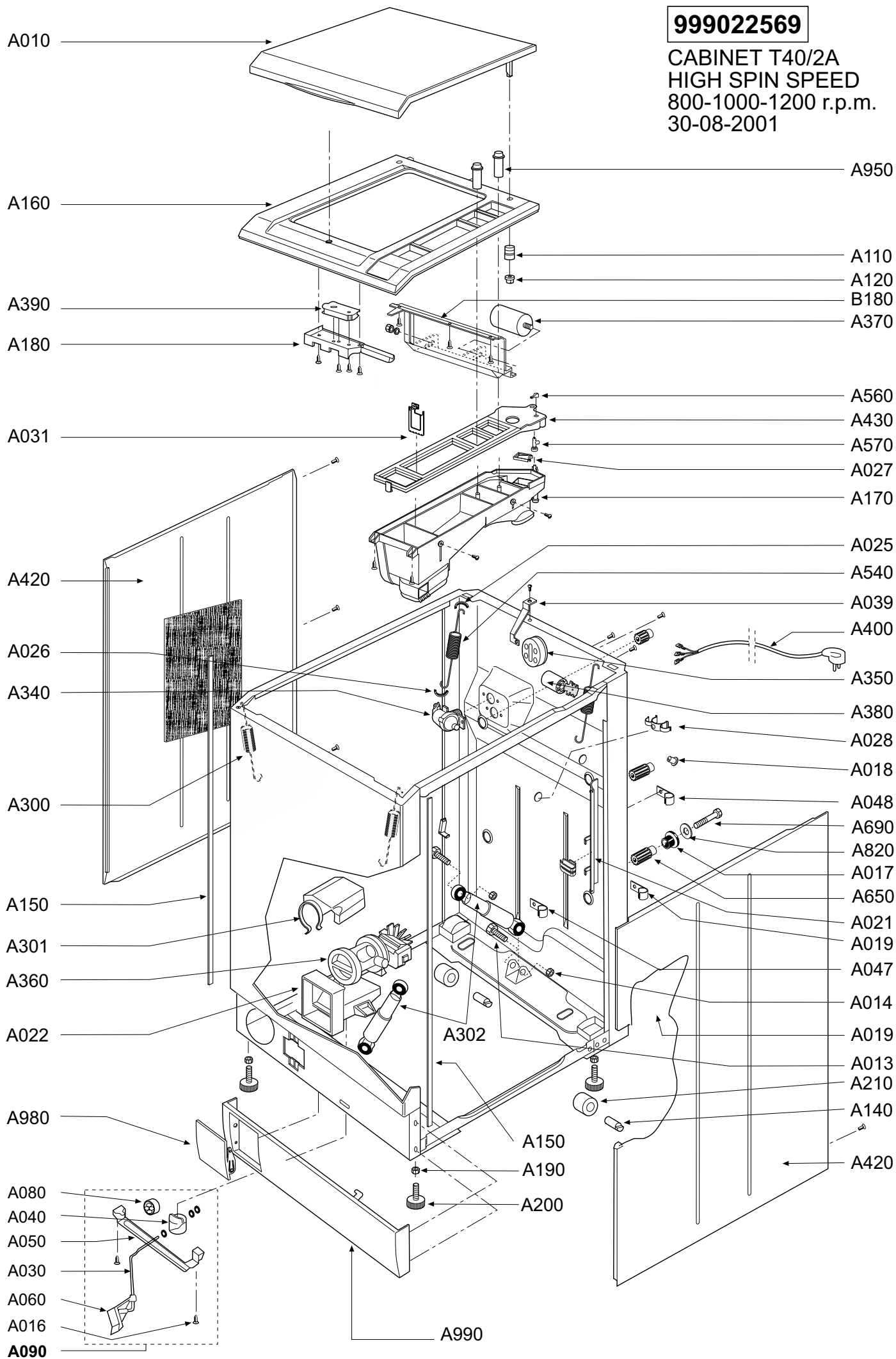
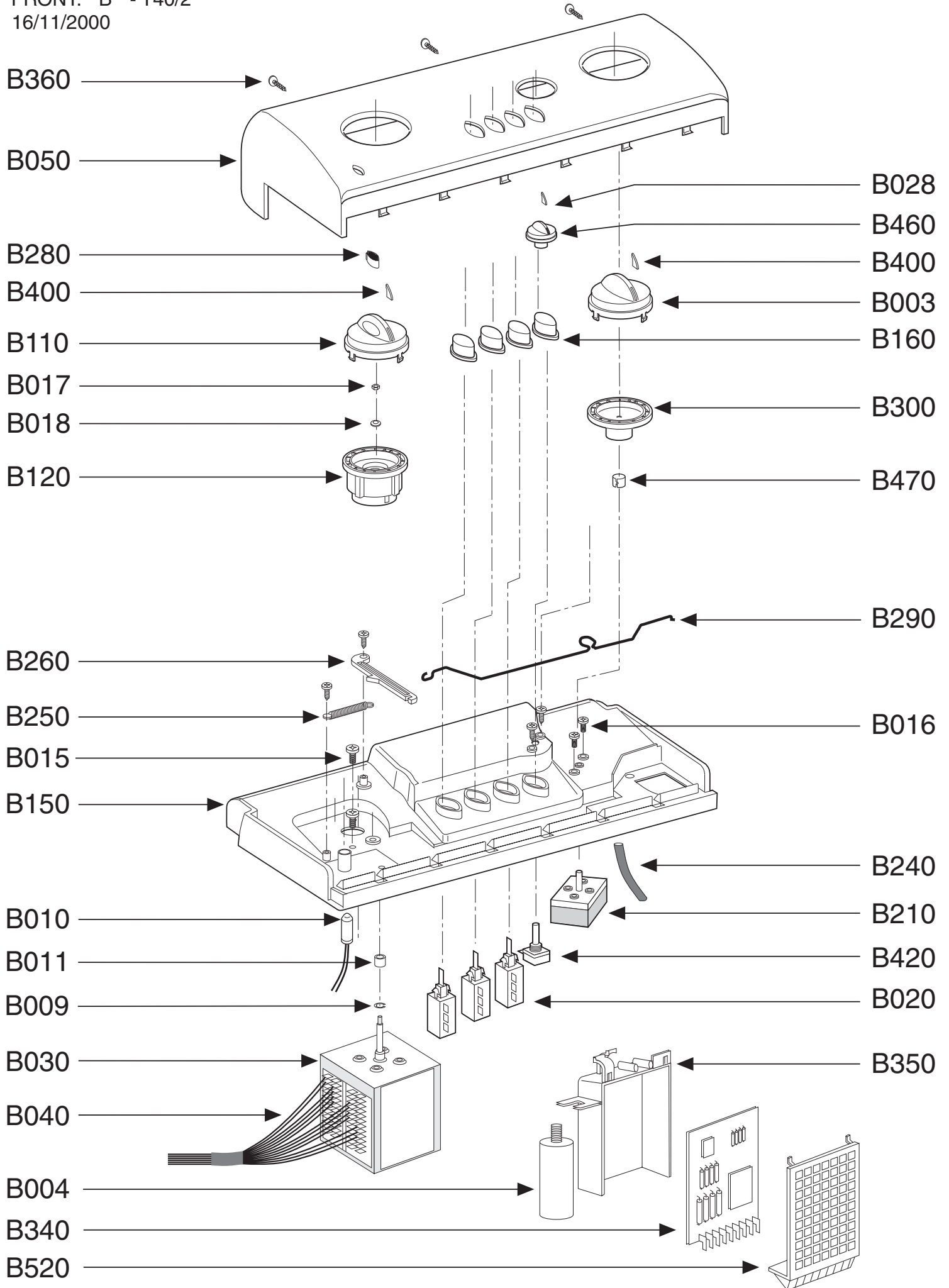
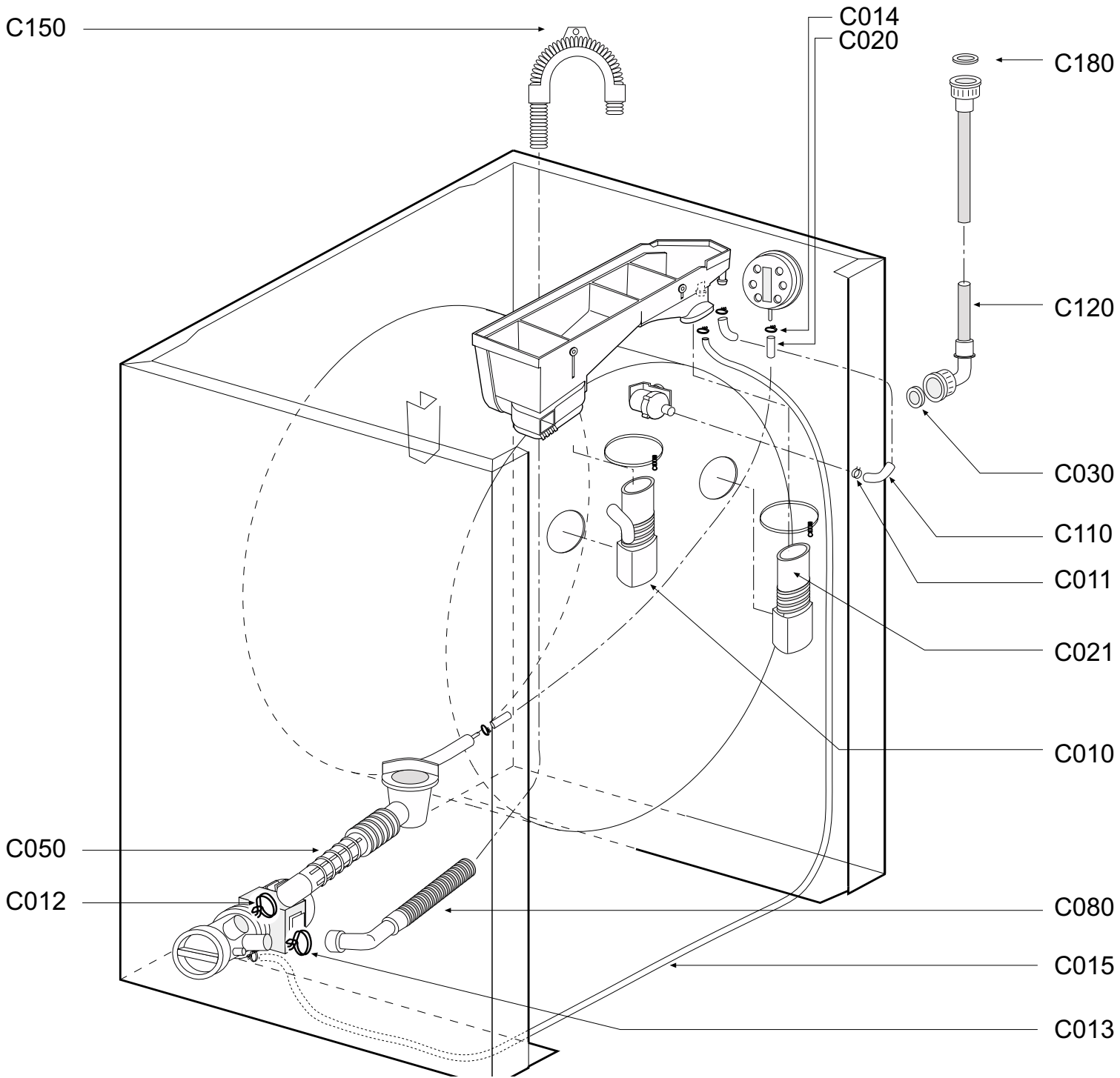


999022569

CABINET T40/2A
HIGH SPIN SPEED
800-1000-1200 r.p.m.
30-08-2001



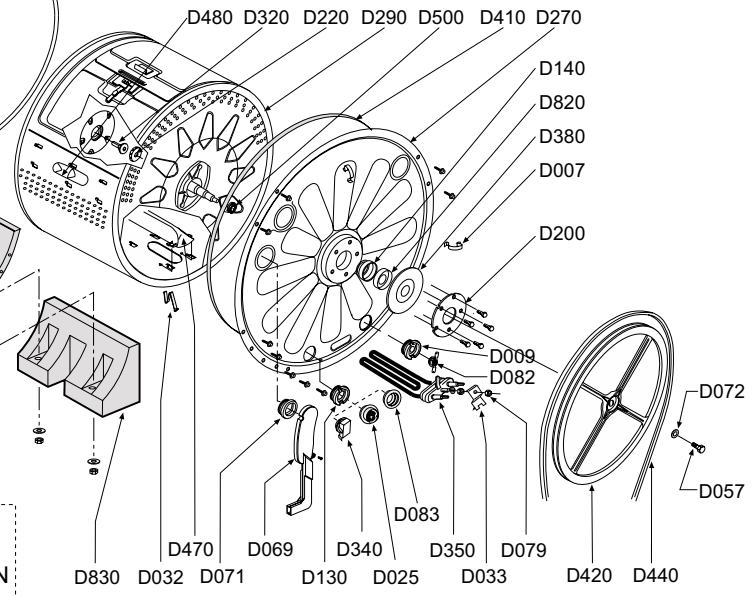
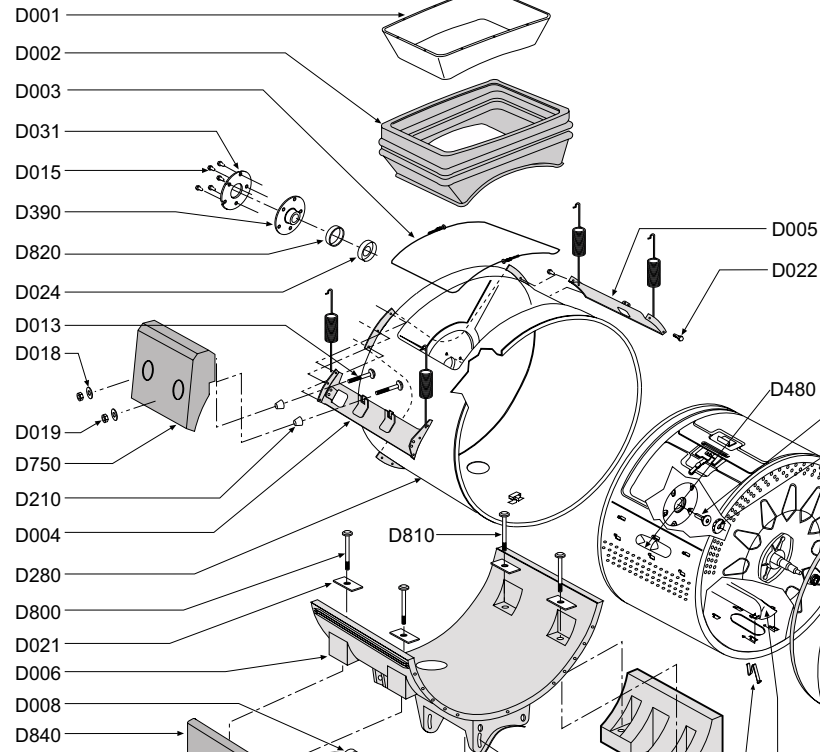




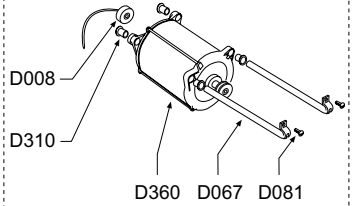
999022571

29/08/2001

STAINLESS STEEL TUB T40GX-2A WITH DOOR GASKET



UNIVERSAL MOTOR FIXATION



INDUCTION MOTOR FIXATION

