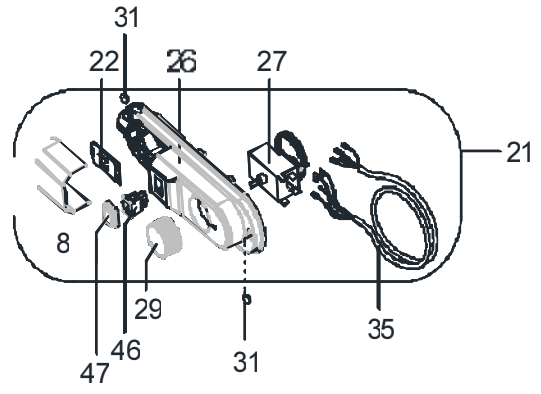


NEW REGULATION



OPTIONAL

