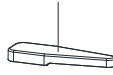


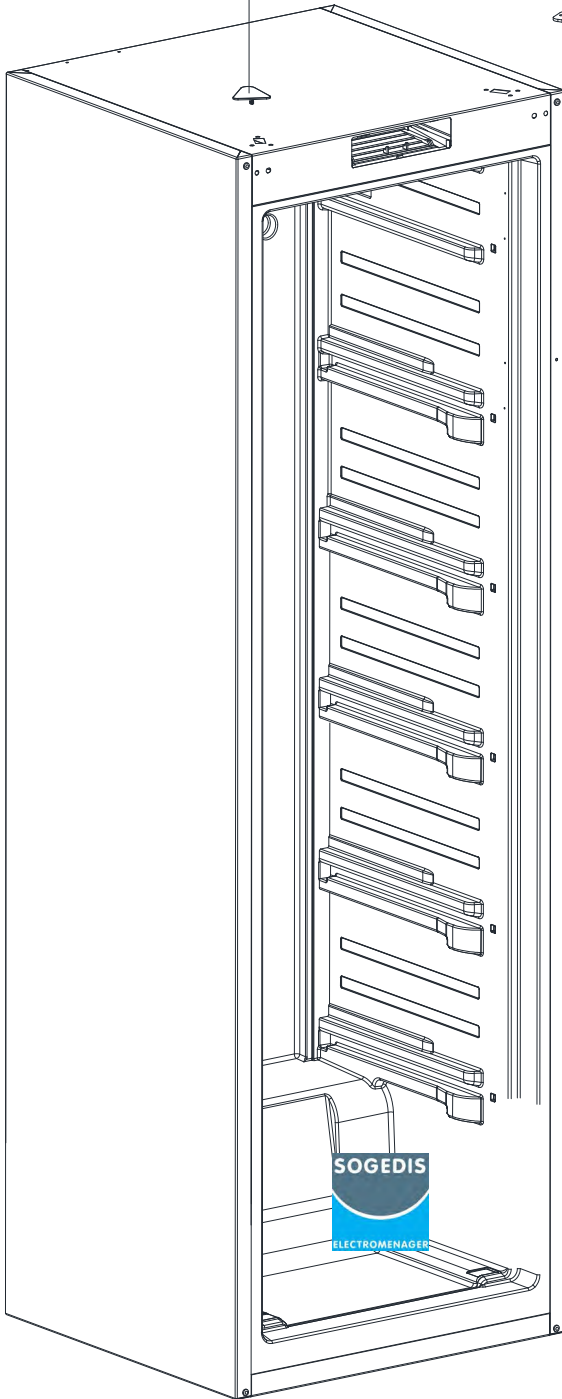
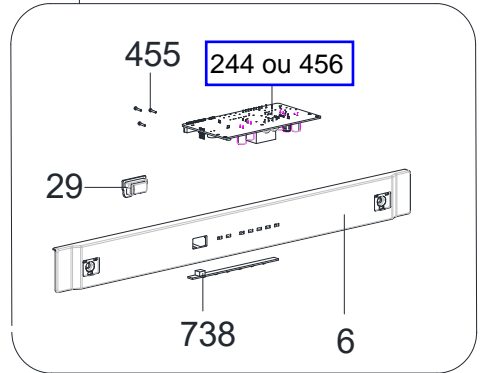
89A

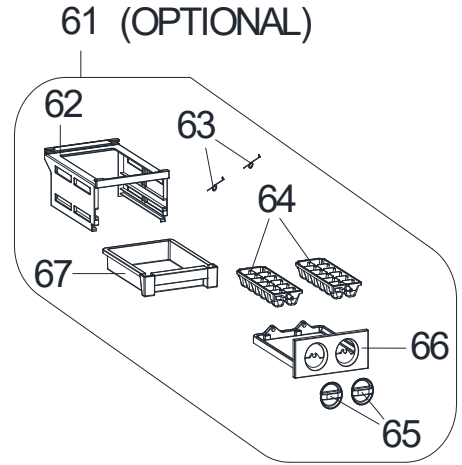
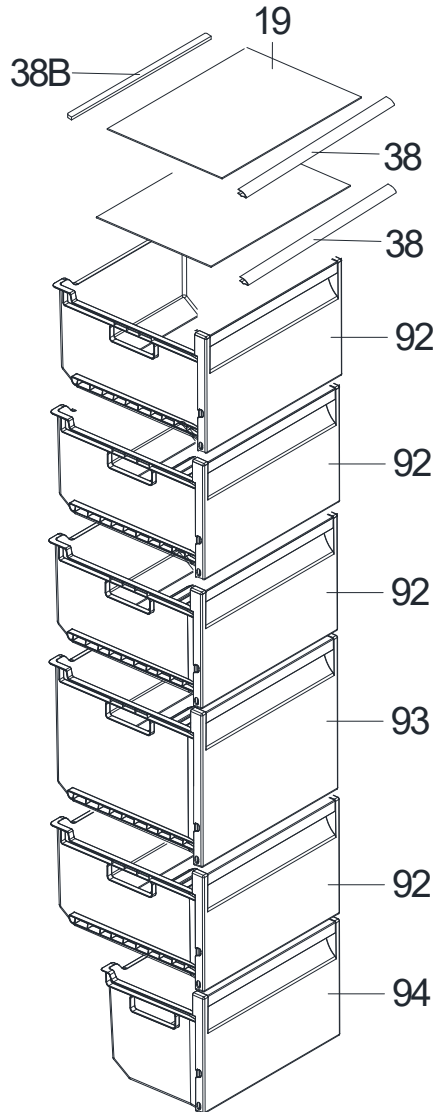
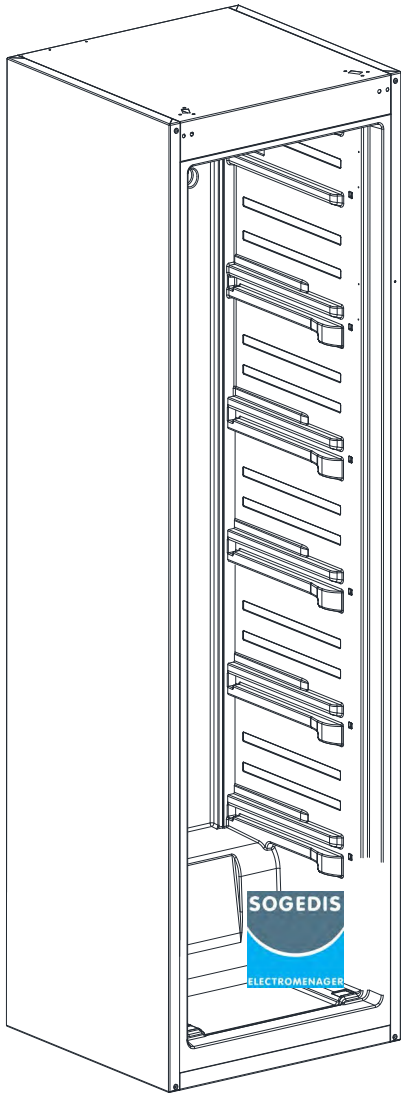


89B

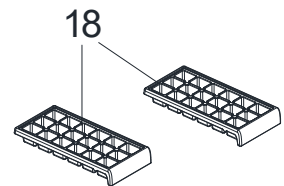


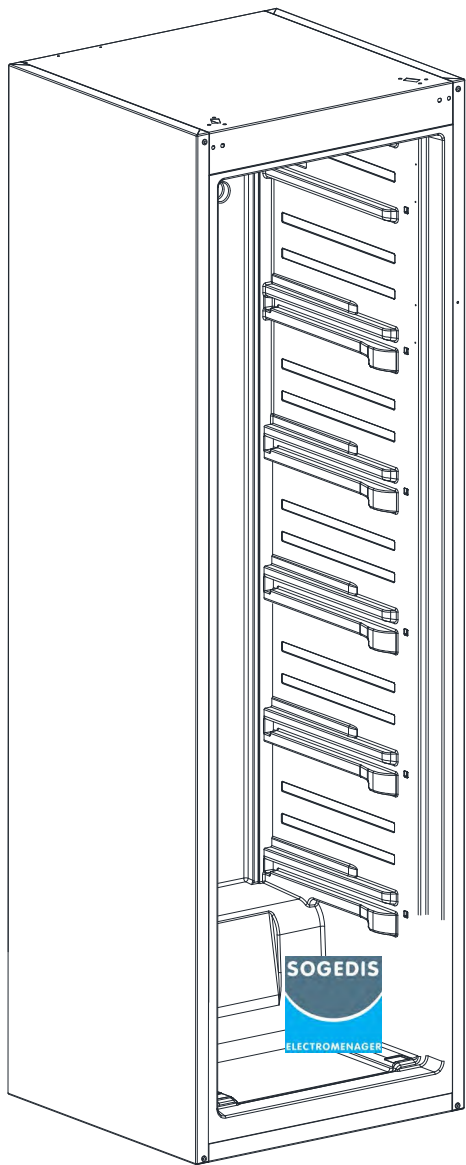
102



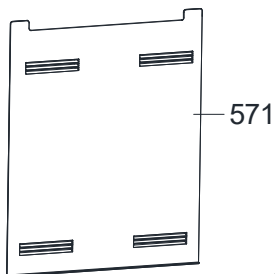


(OPTIONAL)

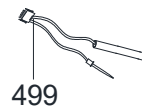
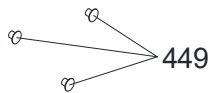
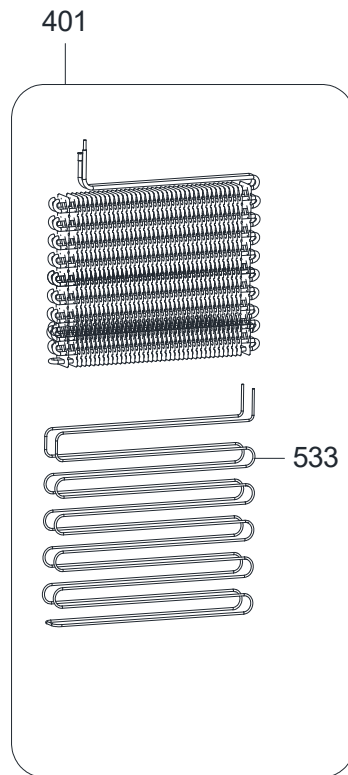
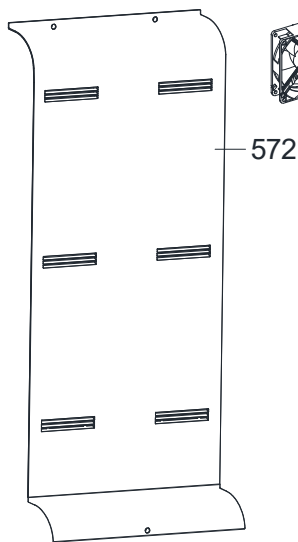




654B



431/413



696

189

154

200C

695

460
(Gasket)

155

OPTIONAL
(DOOR HANDLE)

630

135

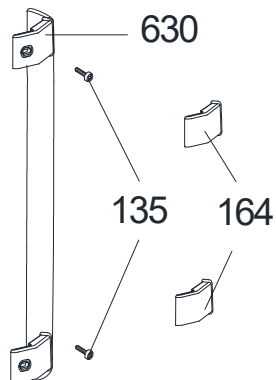
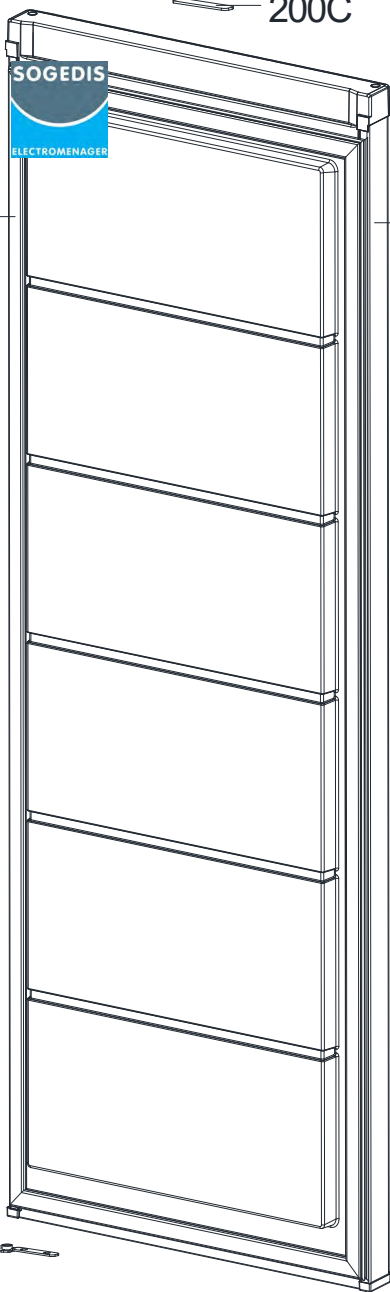
164

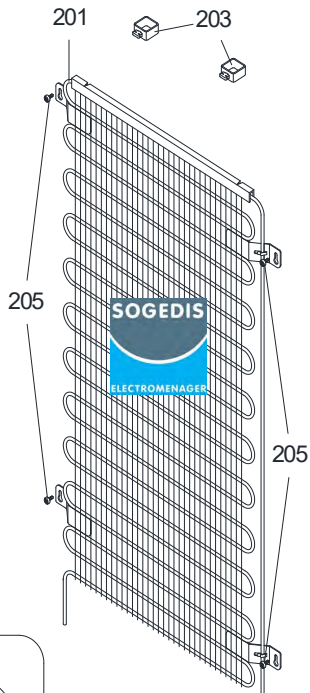
174B

174

187

510





OPTIONAL WITH INVERTER

