

154 (OPTIONAL)

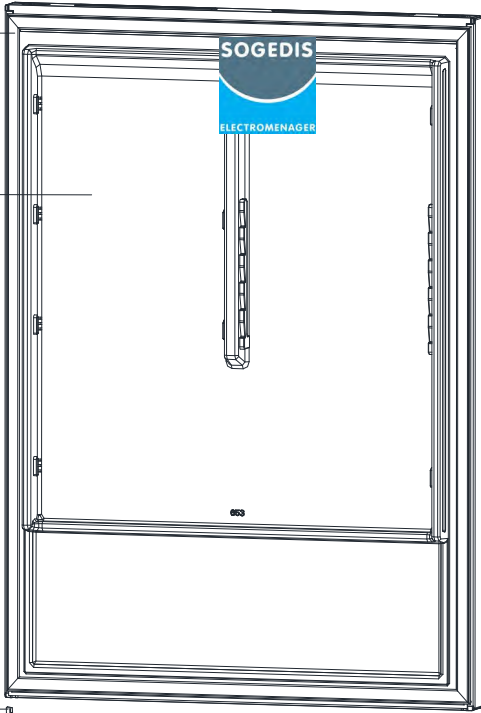
696

189

695

460
(Gasket)

155



175



175



175



(OPTIONAL)

175



175B



177



ELECTRONIC
CONTROL

200



187

174

171

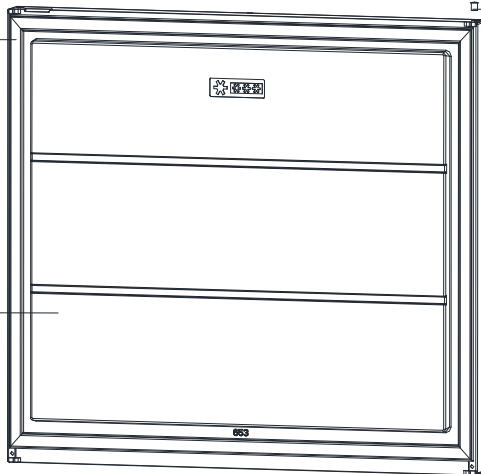
654

180

459
(Gasket)

152

153



187

174

171

