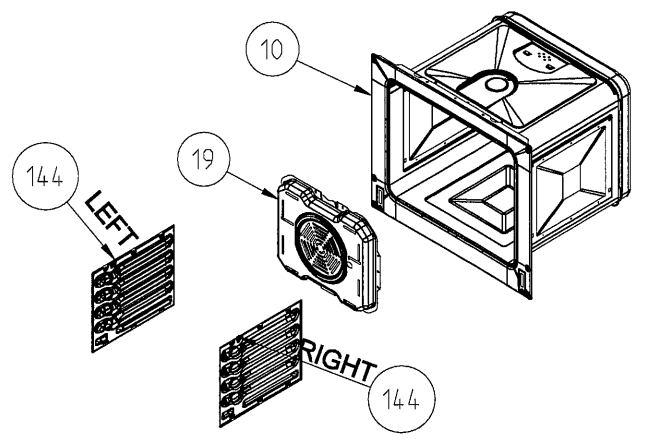
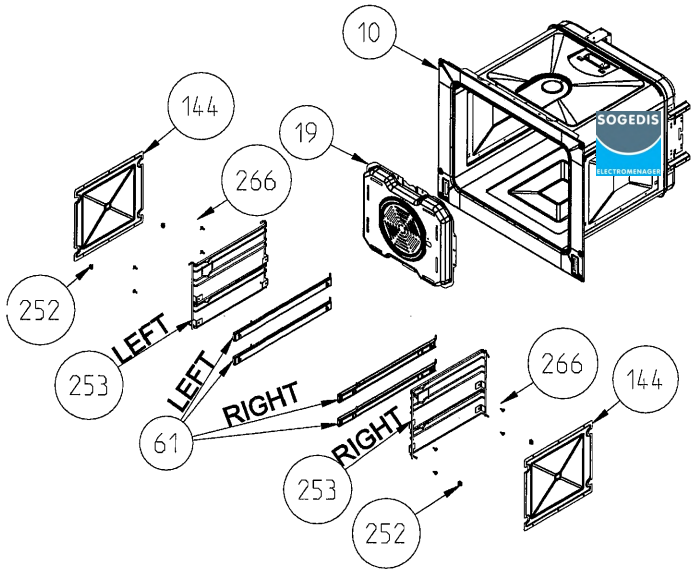


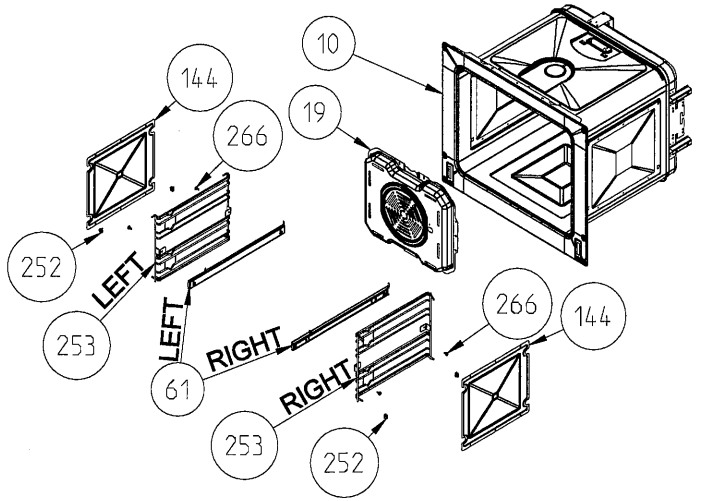
WIRE SHELF CAVITY ASSEMBLY WITH / WITHOUT CATALYTIC PANEL (OPTIONAL)



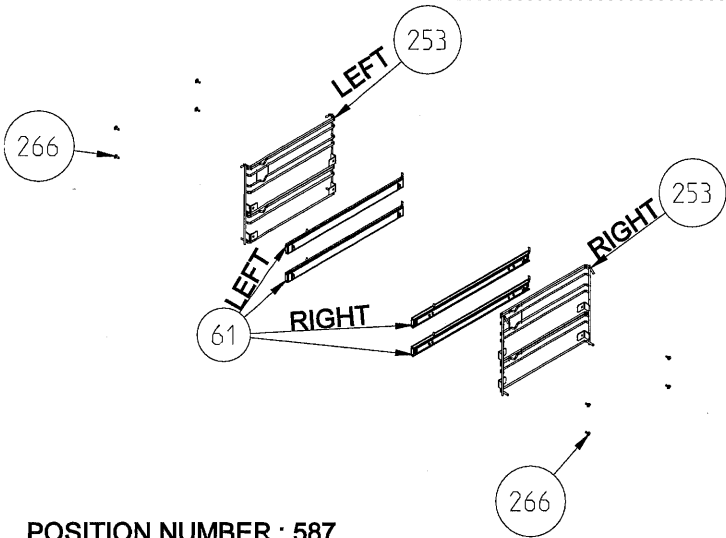
CAVITY ASSEMBLY WITH CATALYTIC SHELF (OPTIONAL)



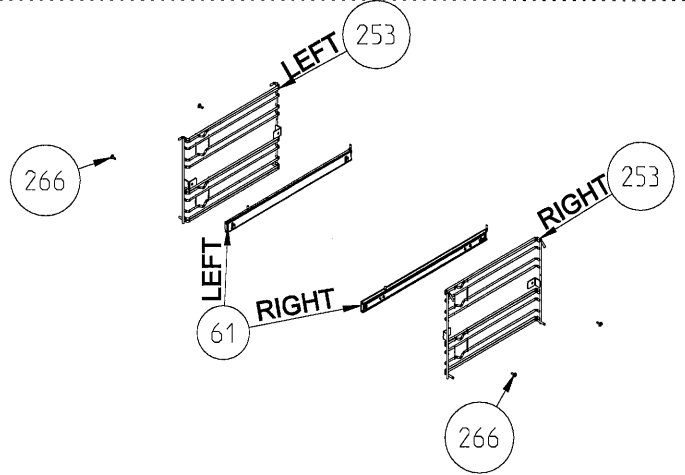
**WIRE SHELF CAVITY ASSEMBLY  
WITH/ WITHOUT CATALYTIC PANEL  
OPTIONAL:DOUBLE TELESCOPIC RAIL (R / L)**



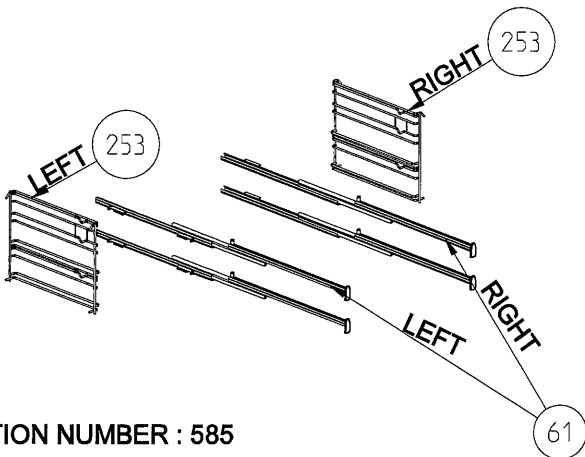
**WIRE SHELF CAVITY ASSEMBLY  
WITH/ WITHOUT CATALYTIC PANEL  
OPTIONAL:TELESCOPIC RAIL (R / L)**



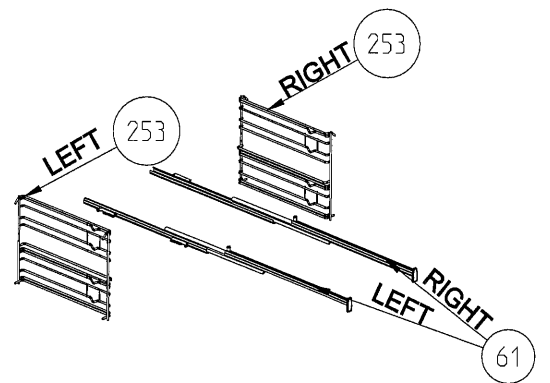
**POSITION NUMBER : 587  
WIRE SHELF (SINGLE EXTENSION)  
OPTIONAL:DOUBLE TELESCOPIC RAIL (R / L) GROUP**



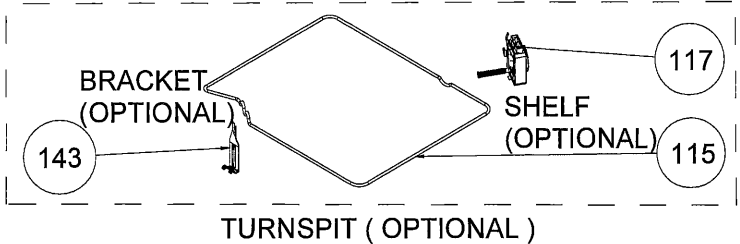
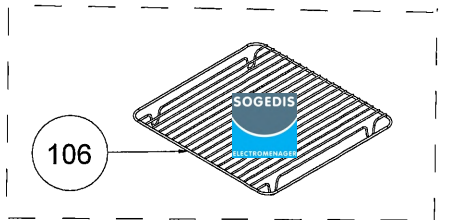
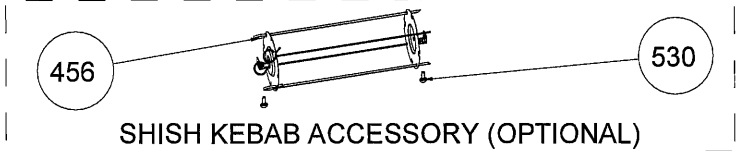
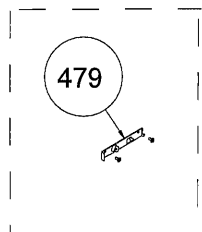
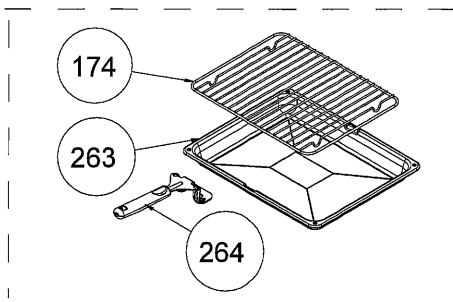
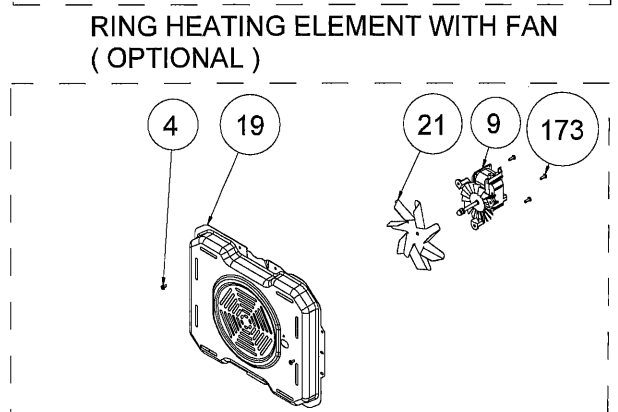
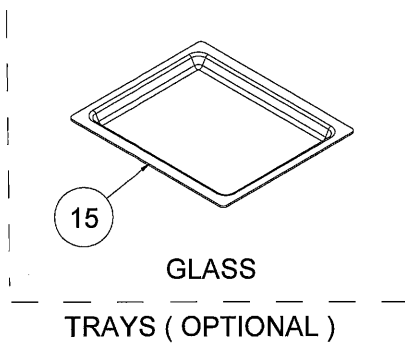
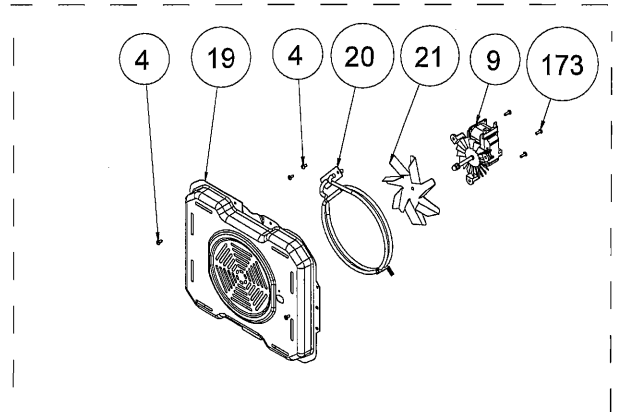
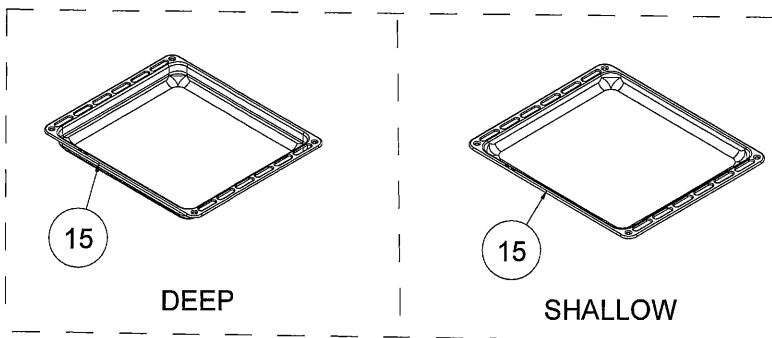
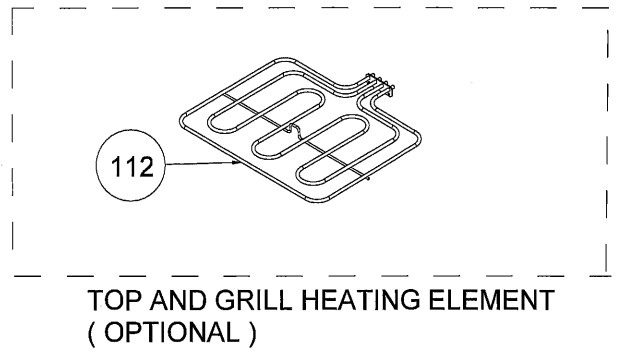
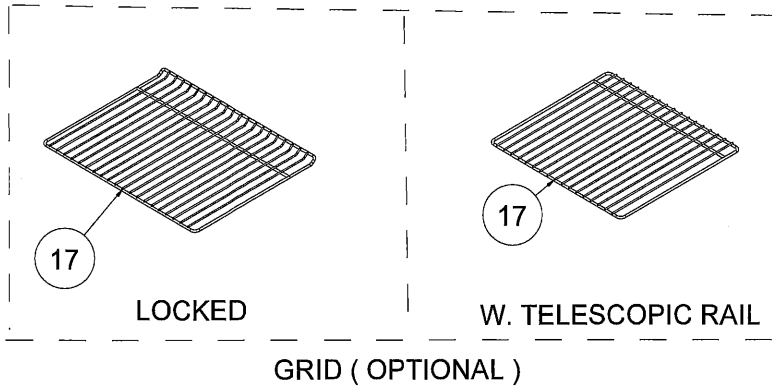
**POSITION NUMBER :588  
WIRE SHELF (SINGLE EXTENSION)  
OPTIONAL: SINGLE TELESCOPIC RAIL (R / L) GROUP**



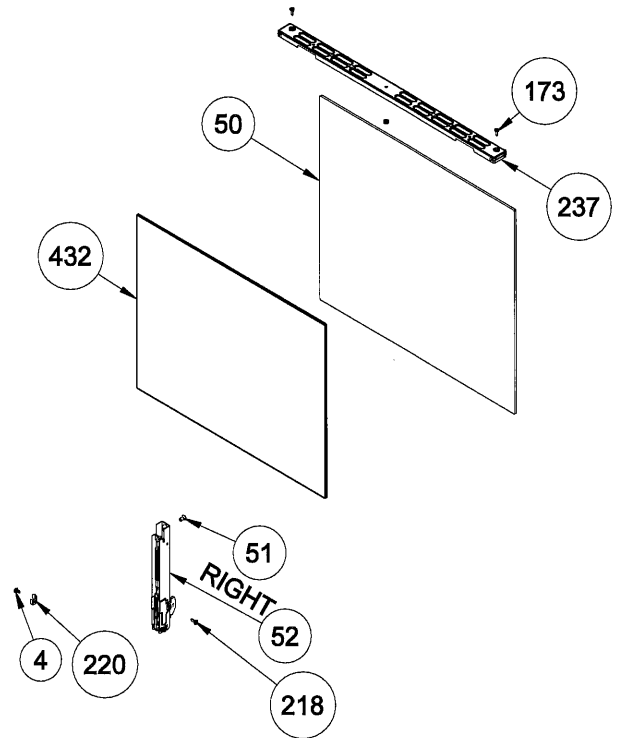
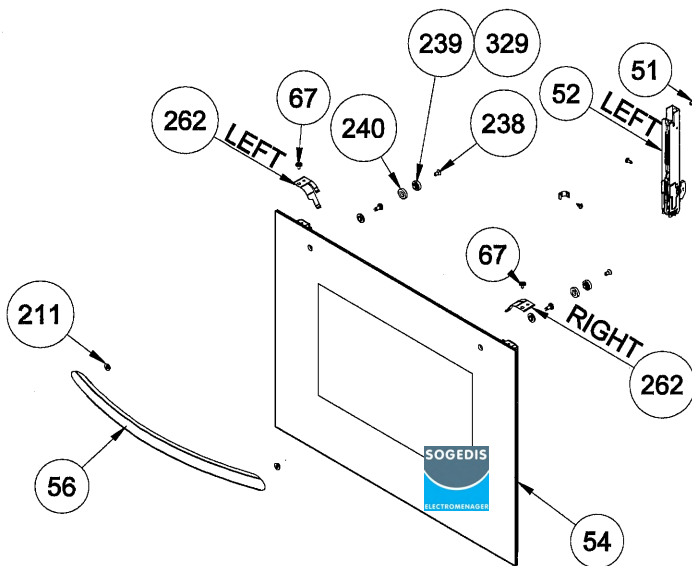
**POSITION NUMBER : 585  
WIRE SHELF (FULL EXTENSION)  
OPTIONAL:DOUBLE TELESCOPIC RAIL (R / L) GROUP**



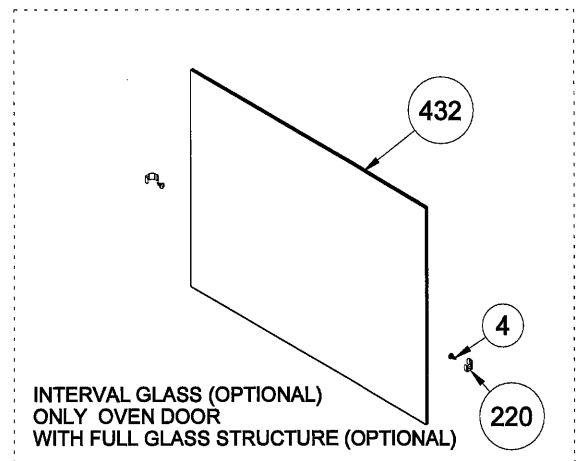
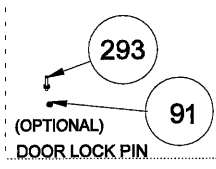
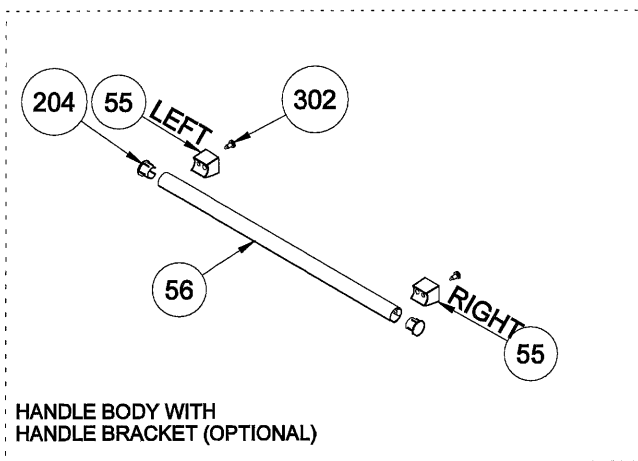
**POSITION NUMBER: 586  
WIRE SHELF (FULL EXTENSION)  
OPTIONAL: SINGLE TELESCOPIC RAIL (R / L) GROUP**



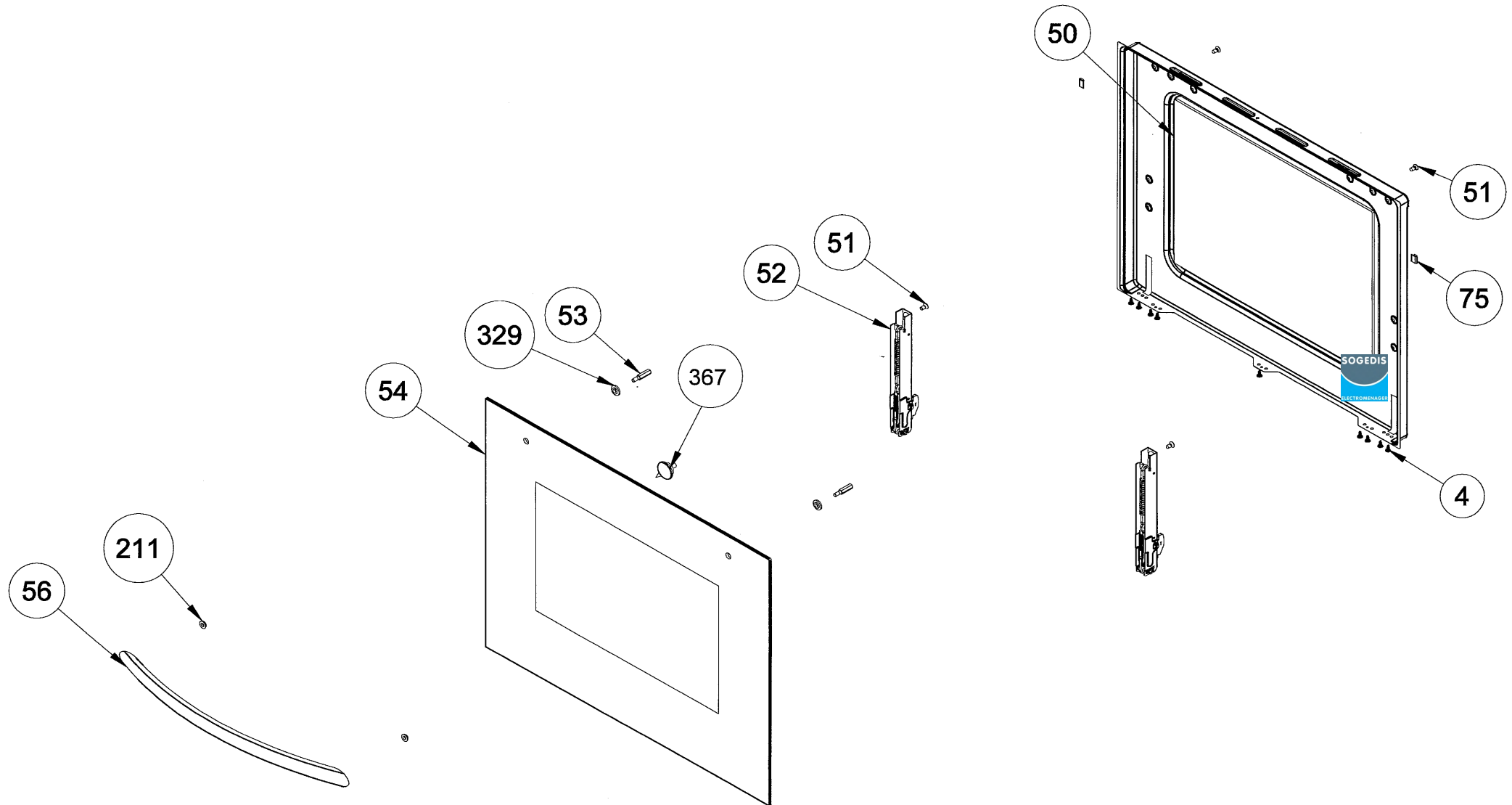
**POSITION  
NUMBER :377  
(DOOR)**



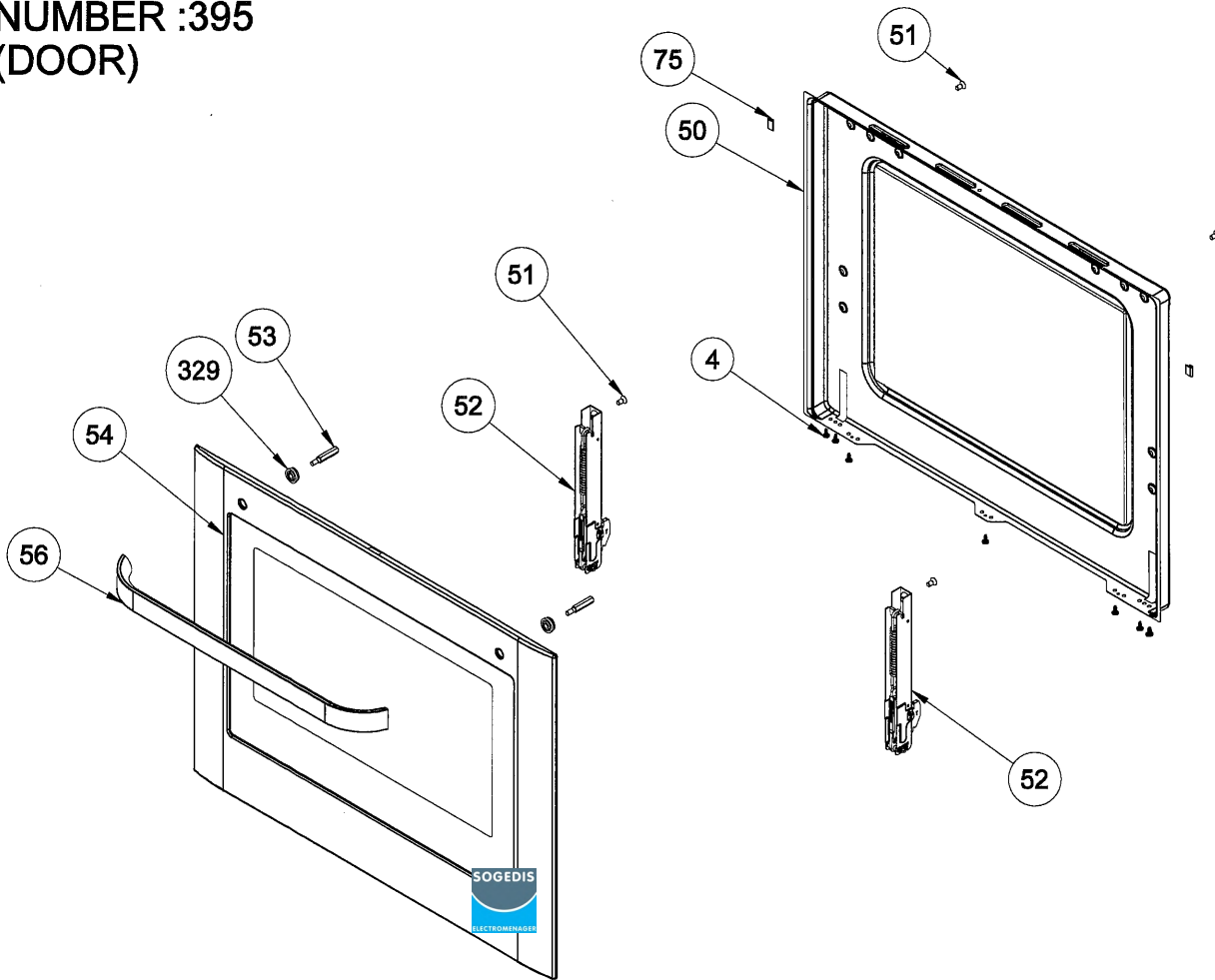
Note :  
220,239,240,432 is for Removable Third Glass Versions  
262,67 is for Removable Glass Versions



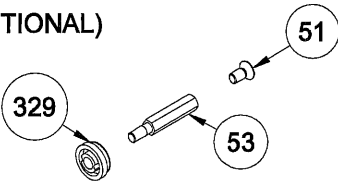
POSITION  
NUMBER :376  
(DOOR)



**POSITION  
NUMBER :395  
(DOOR)**

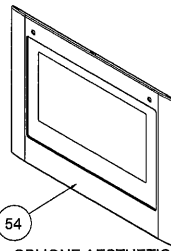


(OPTIONAL)

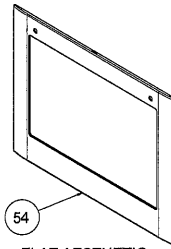


**TYPE 1**

**HANDLE ASSEMBLY GROUP  
POSITION NUMBER : 49  
(OPTIONAL)**



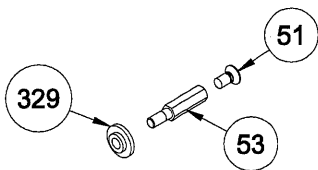
OBLIQUE AESTHETIC



FLAT AESTHETIC

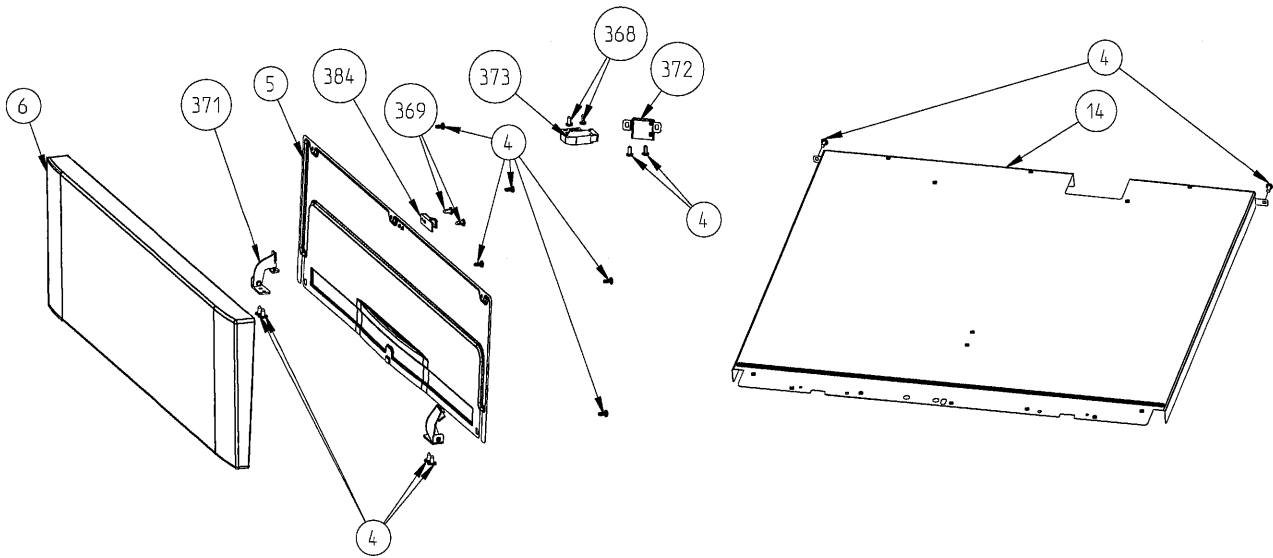
SOLID TYPE - POSITION NO 54 (OPTIONAL)

(OPTIONAL)

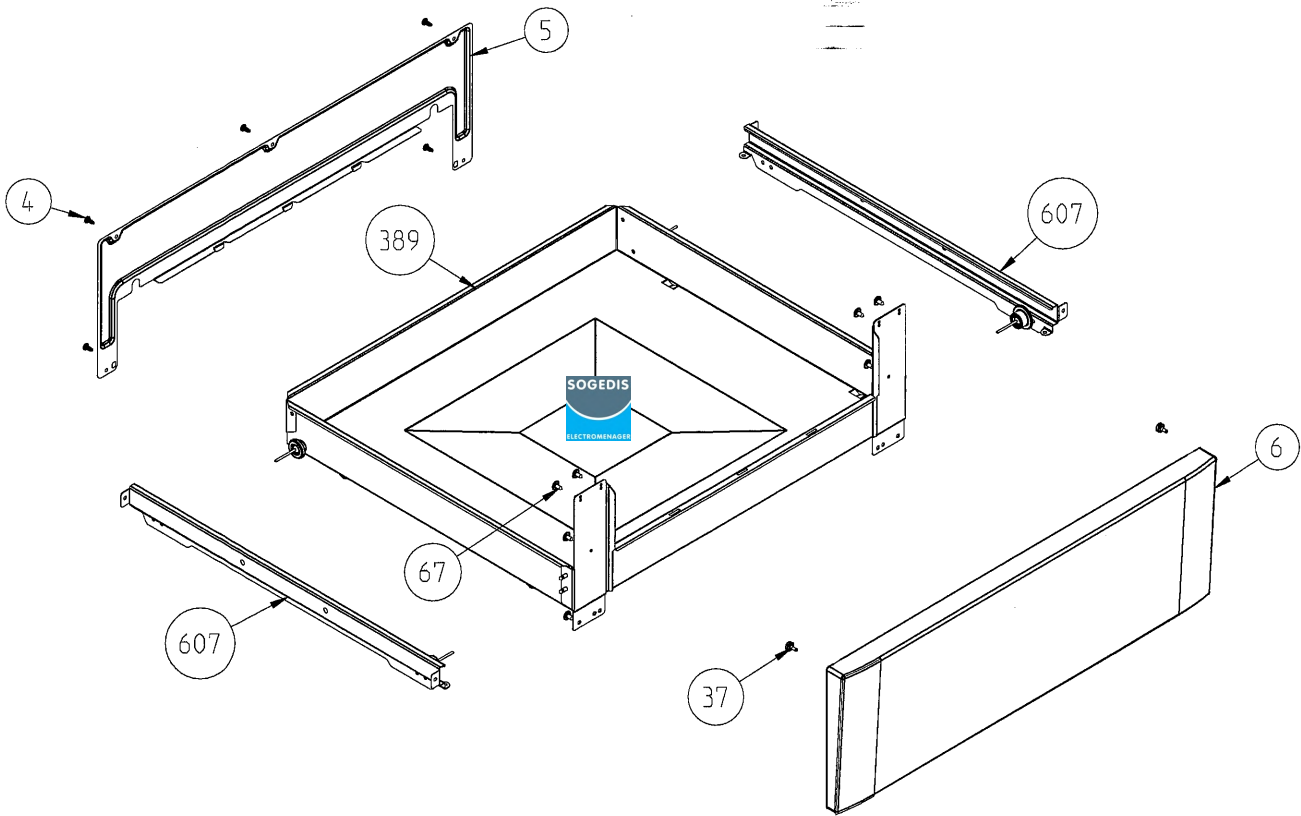


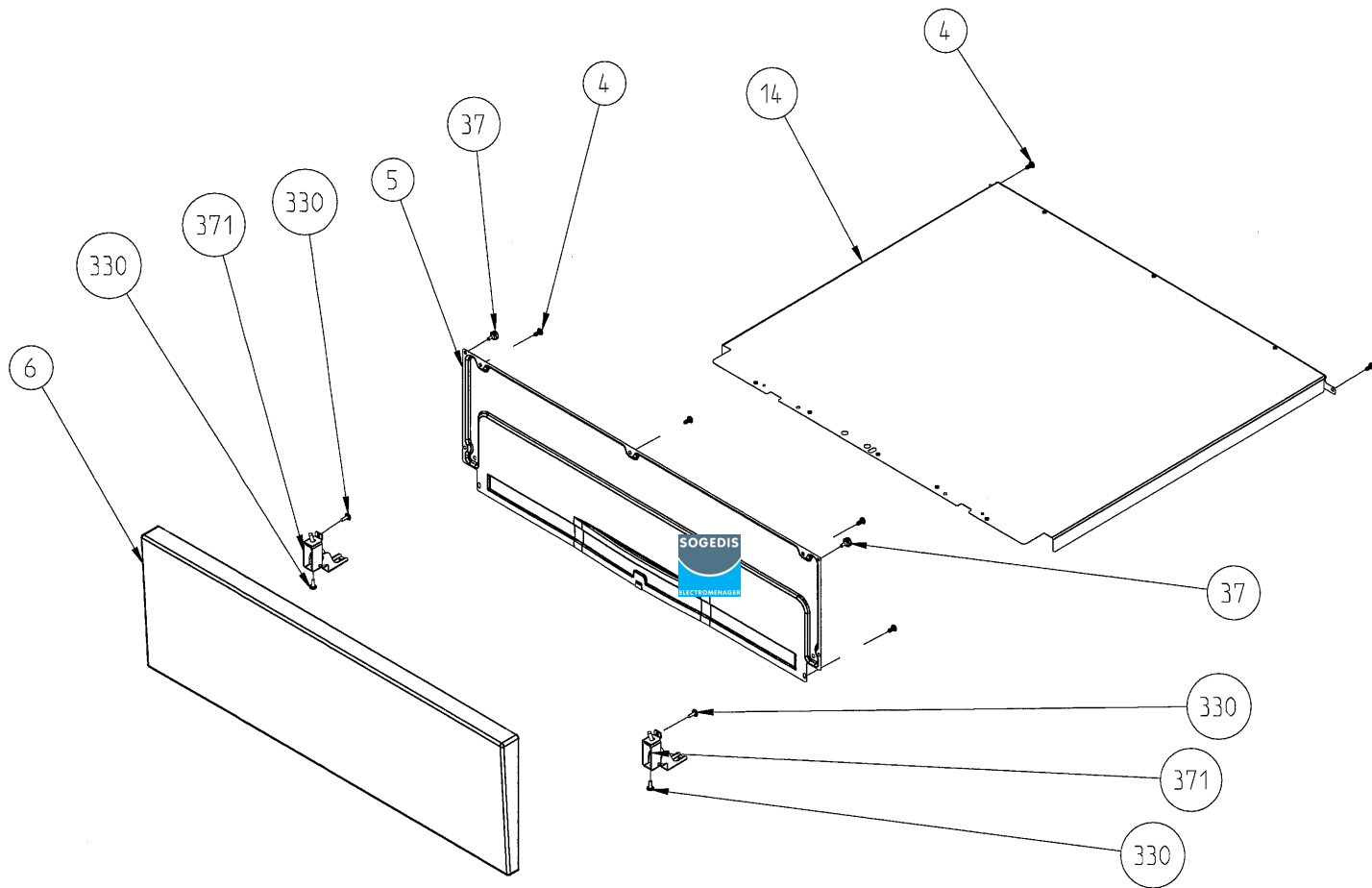
**TYPE 2**

**HANDLE ASSEMBLY GROUP  
POSITION NUMBER : 49  
(OPTIONAL)**

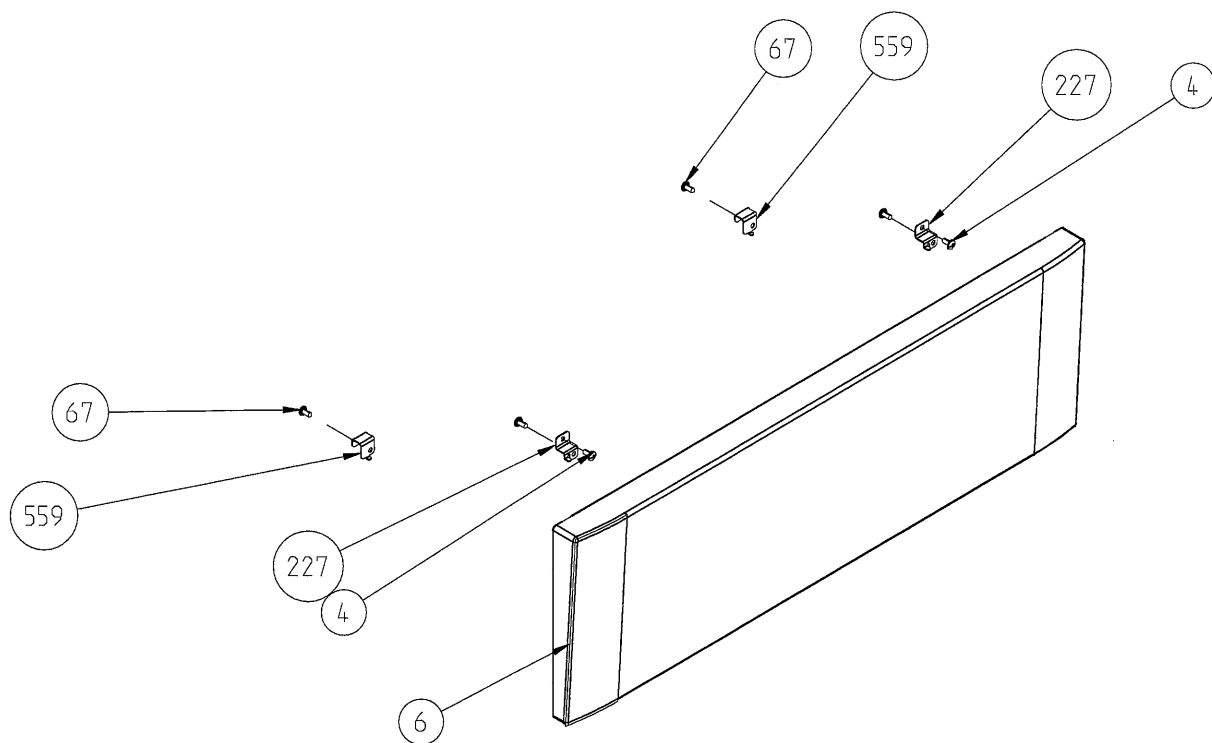


PUSH PULL FLAP DRAWER ASSEMBLY (OPTIONAL)

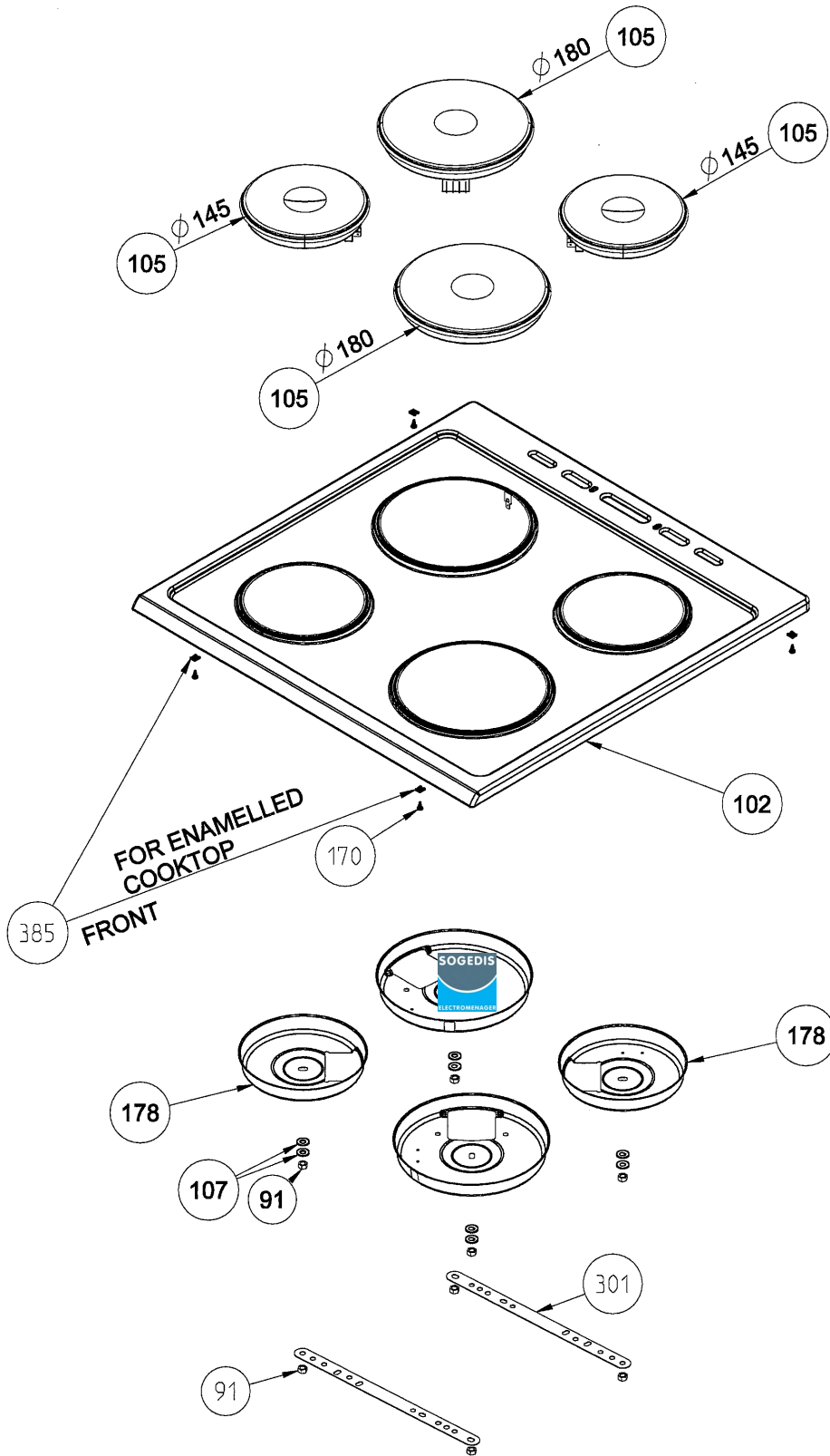


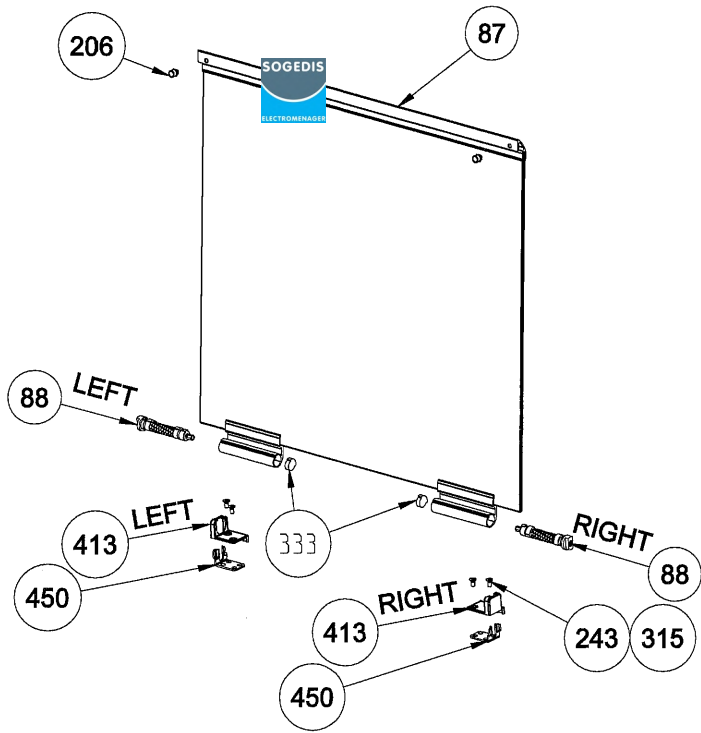


**YNTB FLAP DRAWER ASSEMBLY**

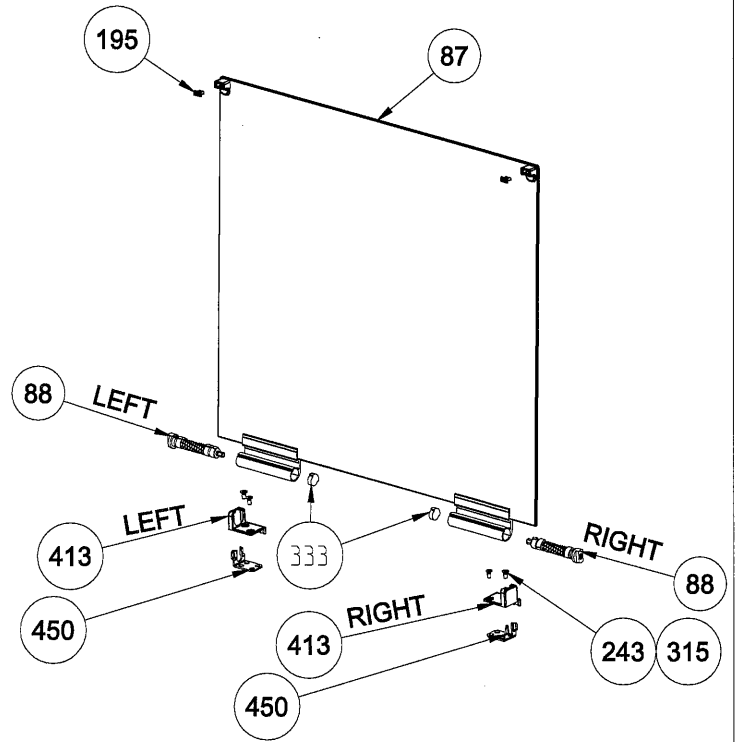


**FIXED DRAWER ASSEMBLY  
(OPTIONAL)**

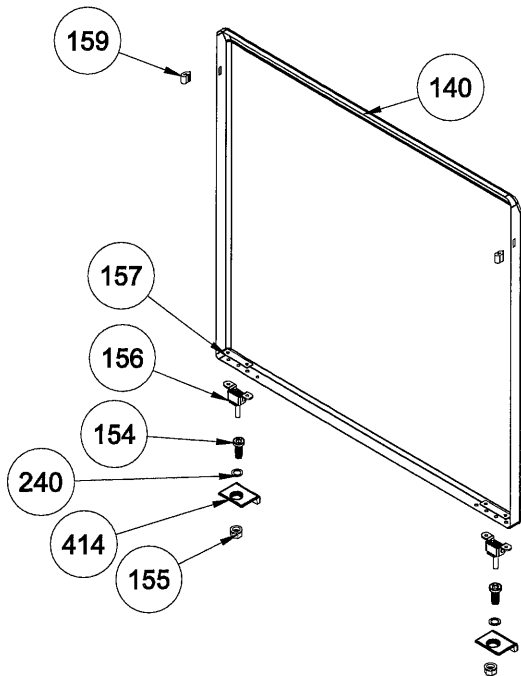




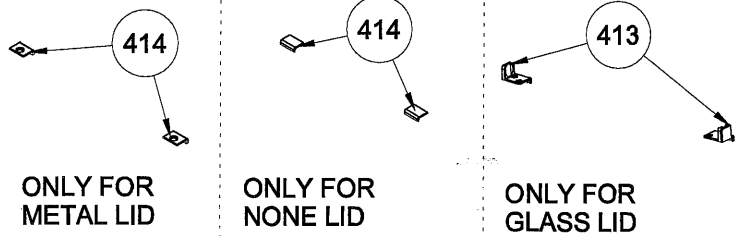
GLASS LID WITH SHORT PROFILE  
(OPTIONAL)

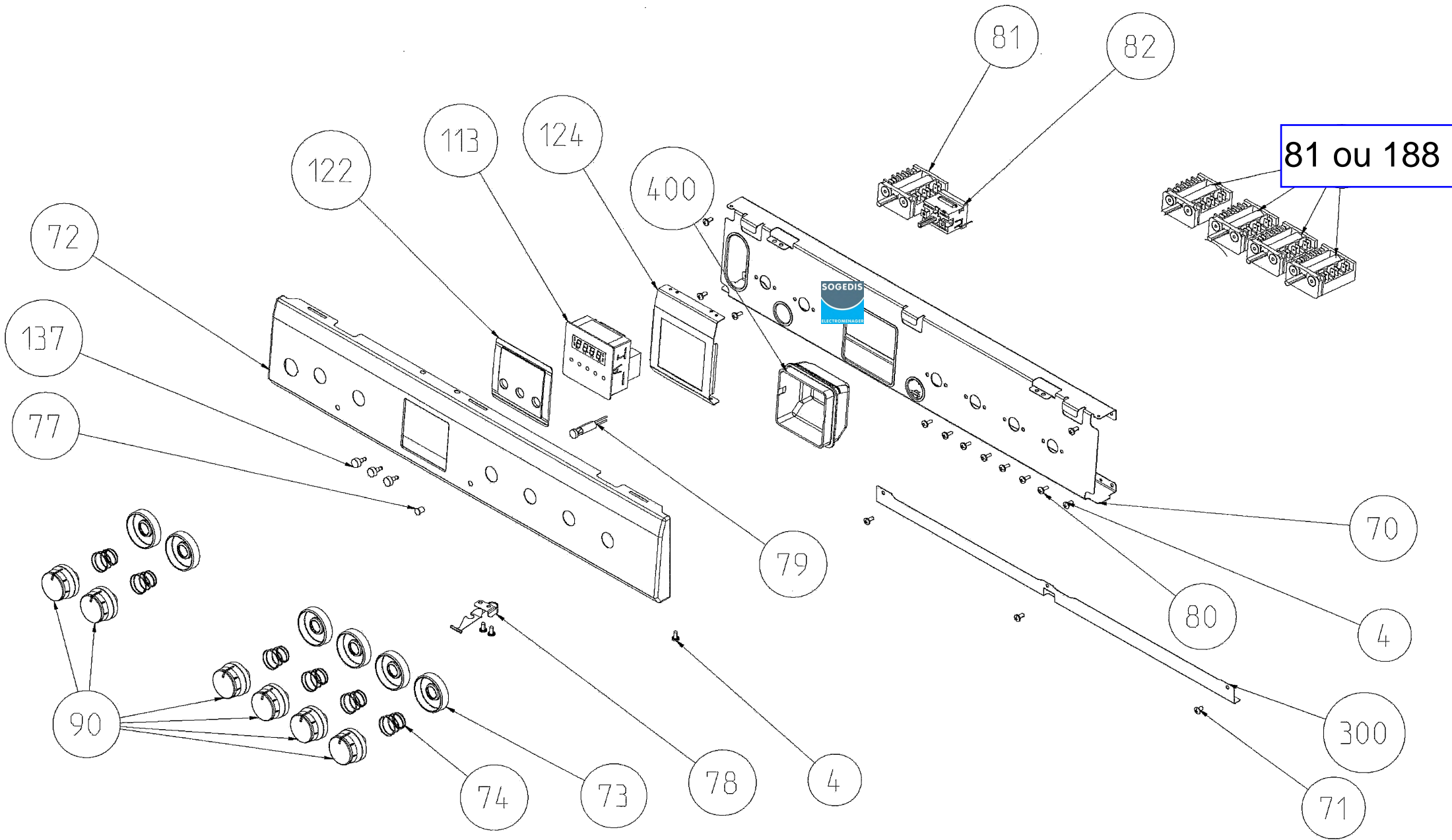


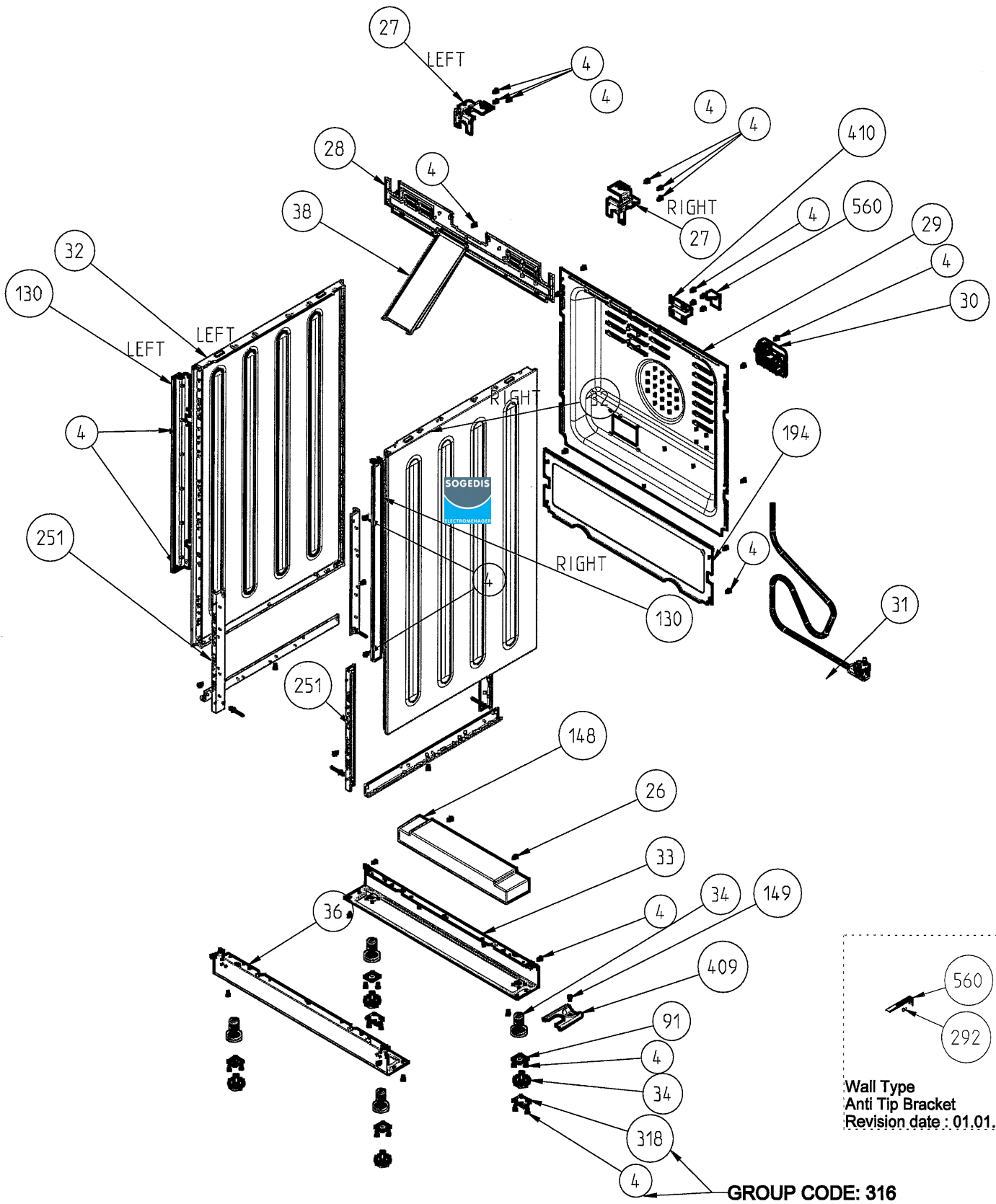
GLASS LID WITH BUMPER  
(OPTIONAL)



METAL LID (OPTIONAL)  
POSITION NUMBER :153



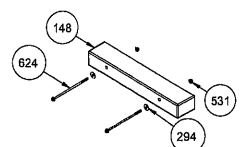




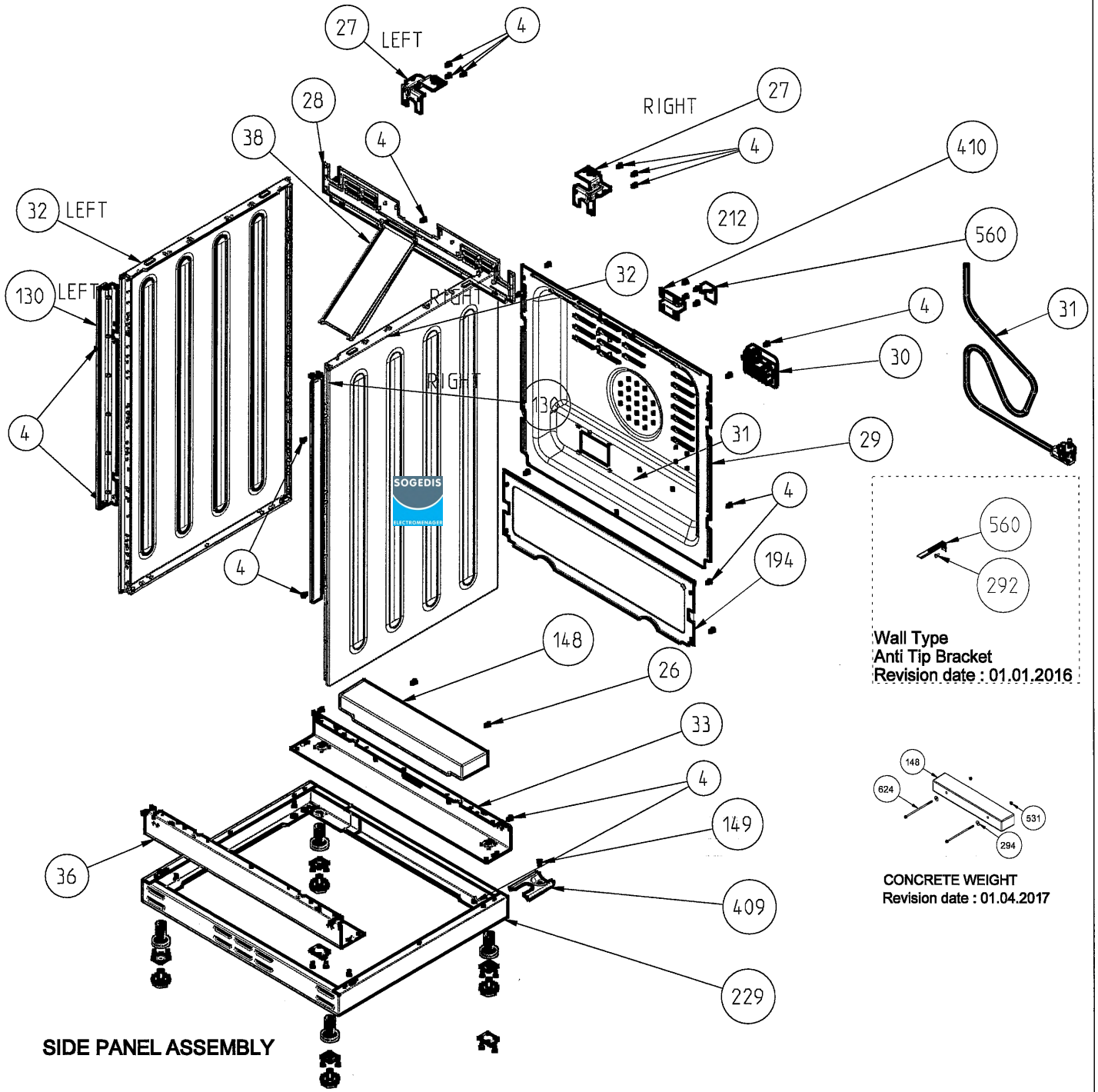
**YNTB 85 CM SIDE PANEL ASSEMBLY**

Wall Type  
Anti Tip Bracket  
Revision date : 01.01.2016

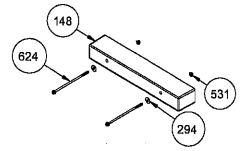
**GROUP CODE: 316**



**CONCRETE WEIGHT**  
Revision date : 01.04.2017

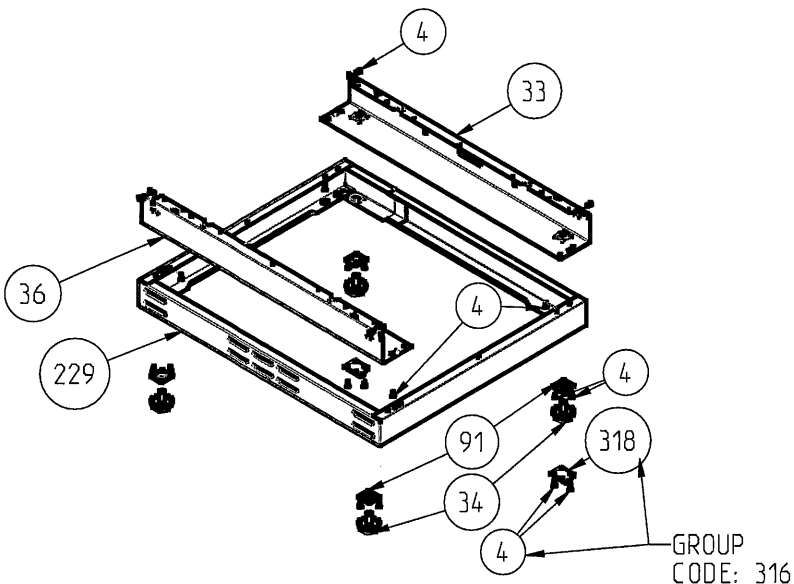


Wall Type  
Anti Tip Bracket  
Revision date : 01.01.2016

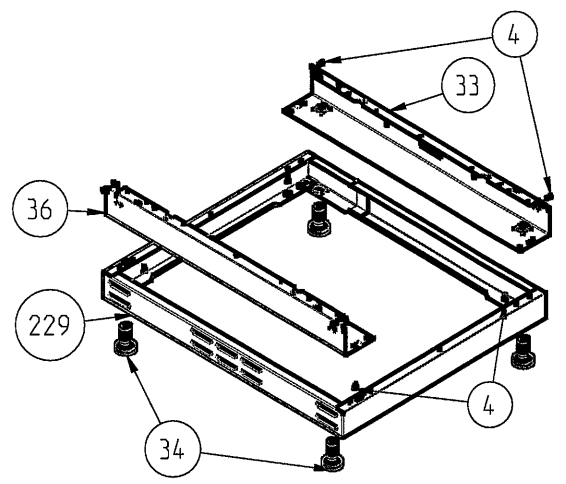


CONCRETE WEIGHT  
Revision date : 01.04.2017

**SIDE PANEL ASSEMBLY**



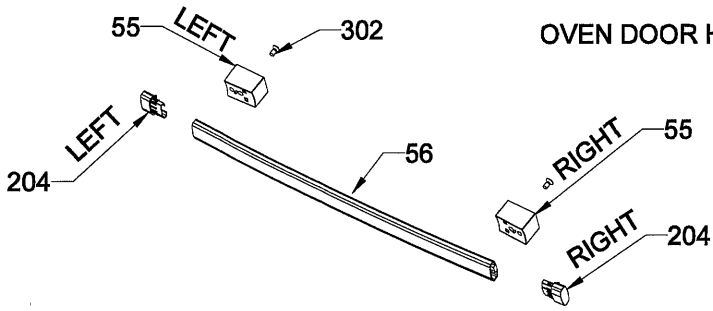
**METAL BOLT ADJUSTABLE LEG**



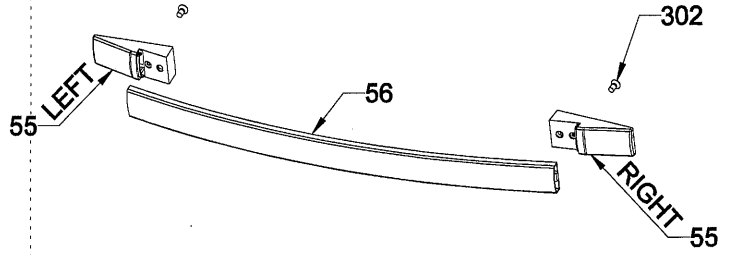
**STANDARD PLASTIC ADJUSTABLE LEG**

GROUP  
CODE: 316

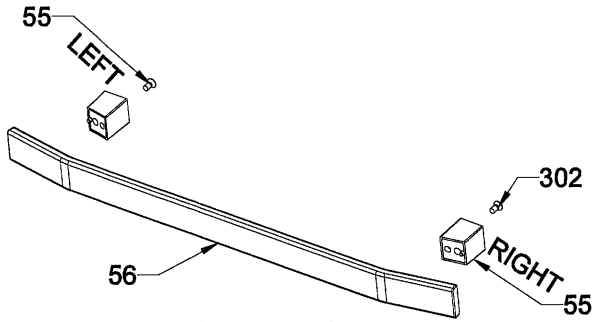
OVEN DOOR HANDLES (OPTIONAL)



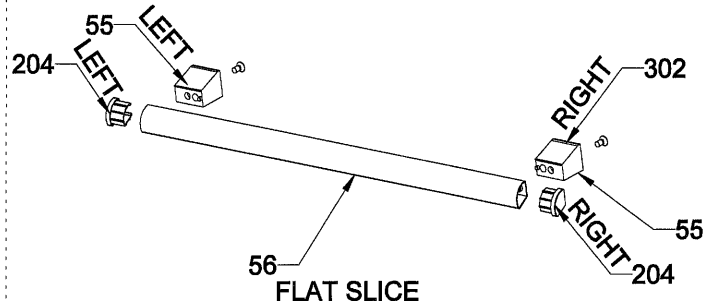
CURVED QUADRANGLE



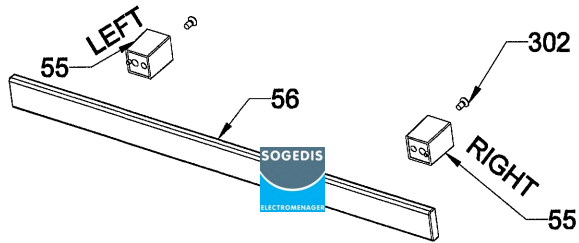
ARC QUADRANGLE



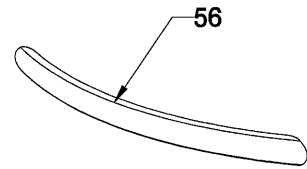
3D QUADRANGLE



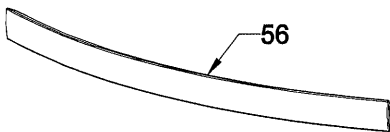
FLAT SLICE



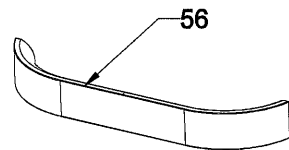
FLAT QUADRANGLE



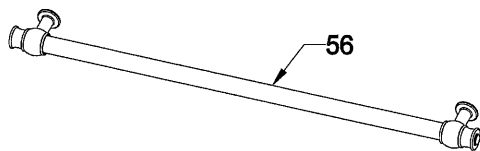
ELLIPSE ARC



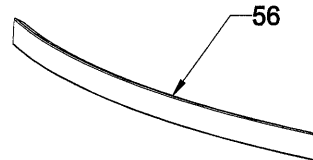
D PROFILE ARC, ELECTROLUX



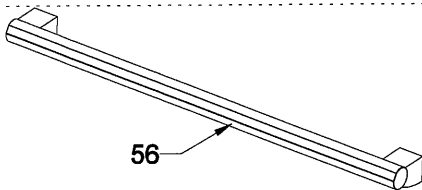
BOW



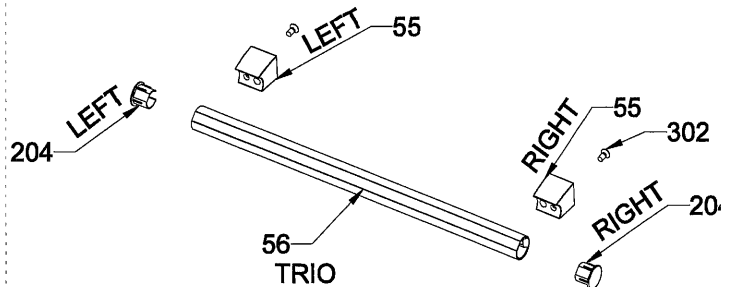
RUSTIK RISUS



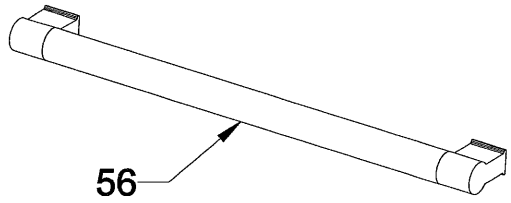
D PROFILE ARC



METALUX

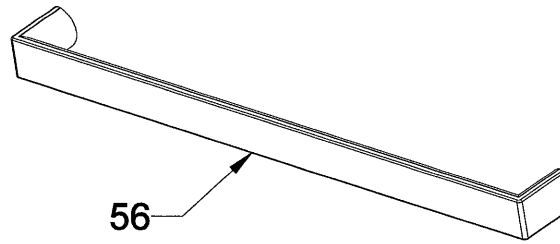


TRIO



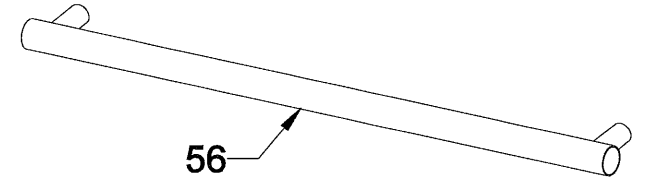
56

TROY



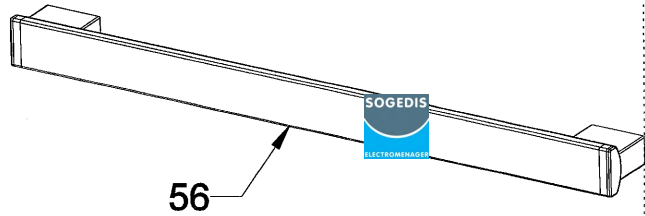
56

VERO



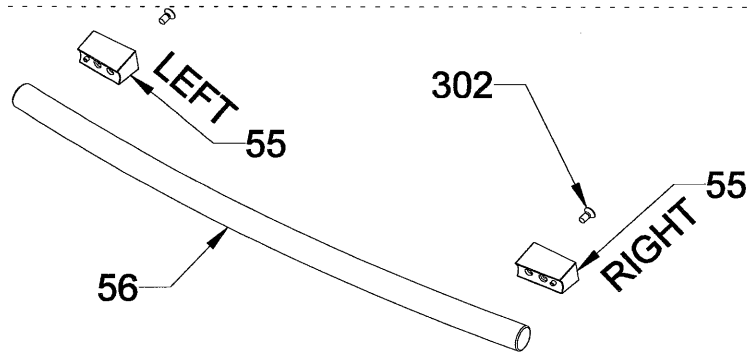
56

CYLINDER



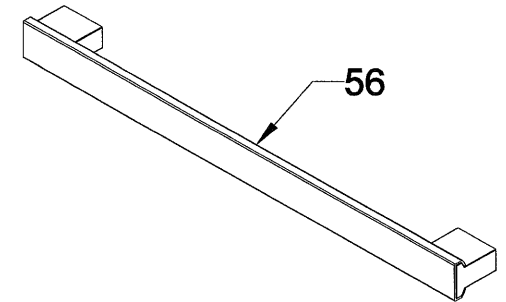
56

JUNO VESTEL ONLY



56

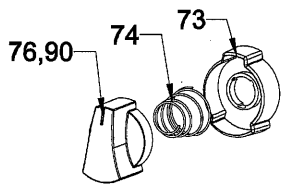
ARC TUBE



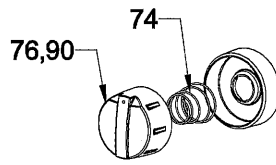
56

TITAN VESTEL & SHARP ONLY

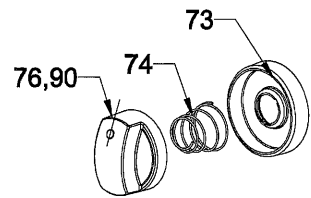
**KNOB ( NEW FREESTANDING OVEN ONLY - OPTIONAL )**



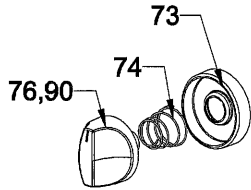
**DELTA RING**



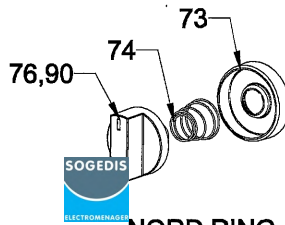
**ANTERO**



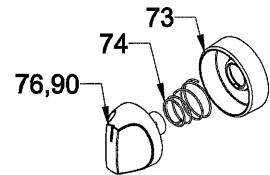
**ECLIPSE RING**



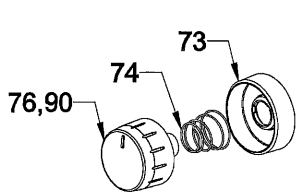
**GAMA RING**



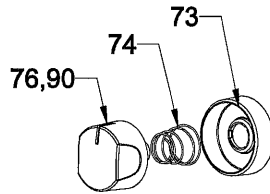
**NORD RING**



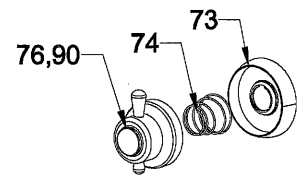
**PELGIRIM**



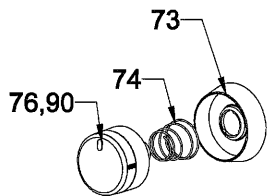
**OMEGA**



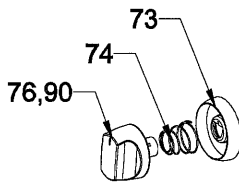
**RIMO RING**



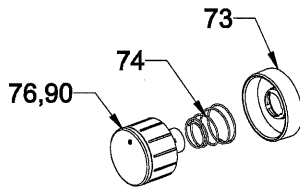
**RUSTIK RISUS RING**



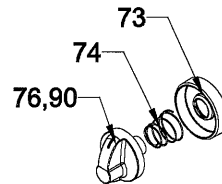
**SIGMA**



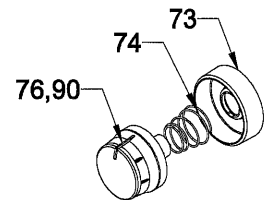
**TRIO**



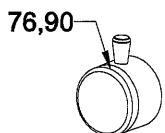
**SMALL MACRO RING**



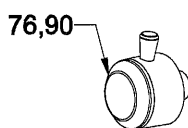
**VARIO RING**



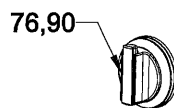
**SPEKTRUM**



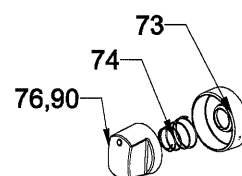
**AGA CLASSIC ONLY**



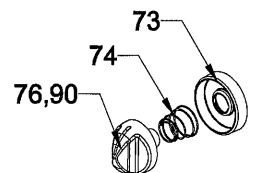
**AGA KITCHENER ONLY**



**AGA PROFESSIONAL ONLY**



**VESTA**



**ZETA RING**